
POWER PLANT MOUNT

POWER PLANT MOUNT

CONTENTS

32109000103

GENERAL INFORMATION	2	FRONT DIFFERENTIAL MOUNTING	8
FRONT ENGINE MOUNTING	3	FRONT SUSPENSION CROSSMEMBER	9
REAR ENGINE MOUNTING	5		



GENERAL INFORMATION

2WD vehicles

An engine and transmission support method (the 3-point support method) by which insulators are used at three places (2 places at the engine itself,

1 place at the transmission.)

The No. 2 crossmember is bolted to the frame and supports the transmission.

4WD vehicles

An engine and transmission support method (the 4-point support method) by which insulators are used at four places (2 places at the engine itself, 1 place at the transmission, and 1 place at the transfer) has been adopted.

side of the differential carrier, the part beside the companion flange, and, via the housing tube, at the right side of the differential carrier) has been adopted.

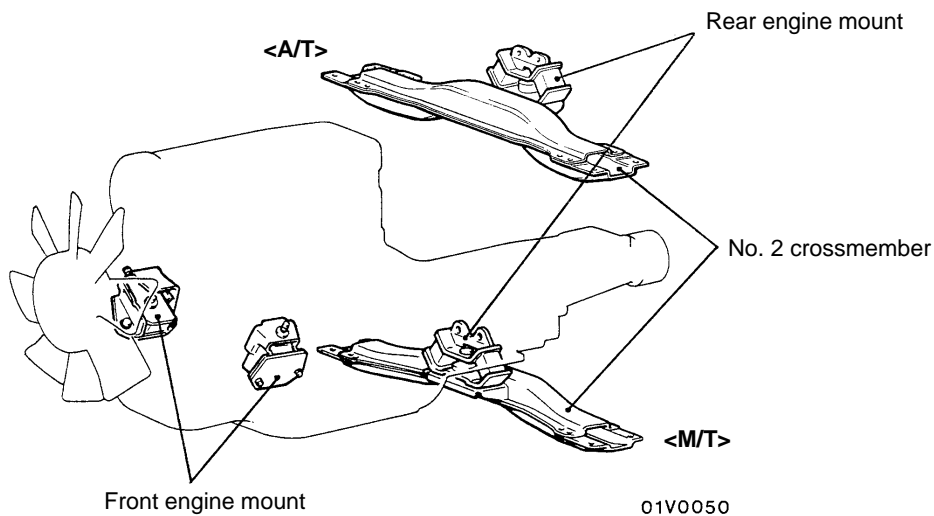
A differential-support method (the 3-point support method) by which mounting brackets and mounting rubber pieces are used at three places (the left

The front suspension crossmember is bolted to the frame and supports the front differential.

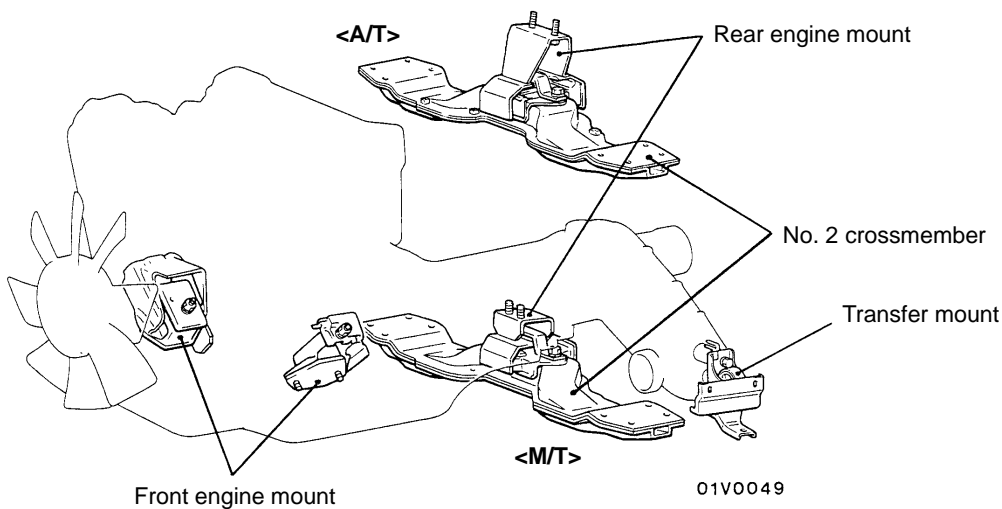
The No. 2 crossmember is bolted to the frame and supports the transmission and transfer.

CONSTRUCTION DIAGRAM

<2WD>



<4WD>



00005127

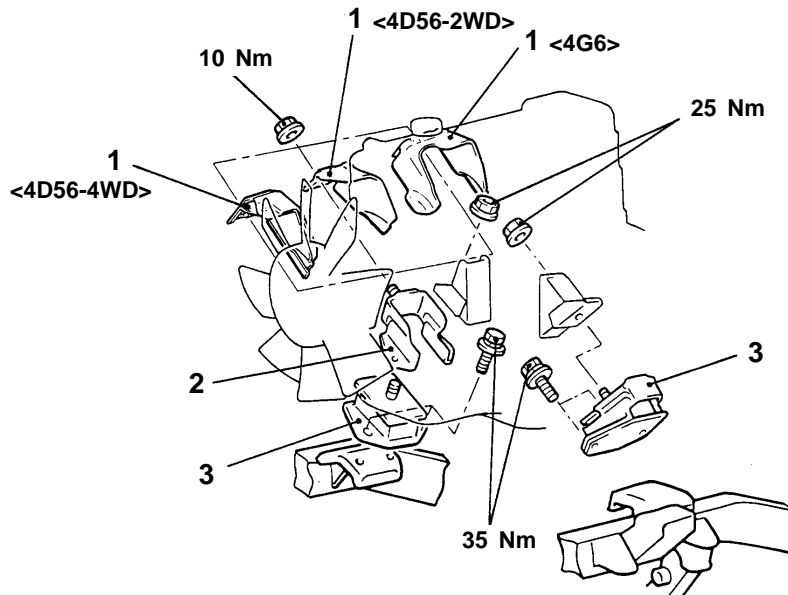
FRONT ENGINE MOUNTING

32100110140

REMOVAL AND INSTALLATION

Pre-removal and Post-installation Operation

- Air Cleaner Assembly Removal and Installation (Refer to GROUP 15.)
- Front Under Cover Removal and Installation



A01V0037

Removal steps

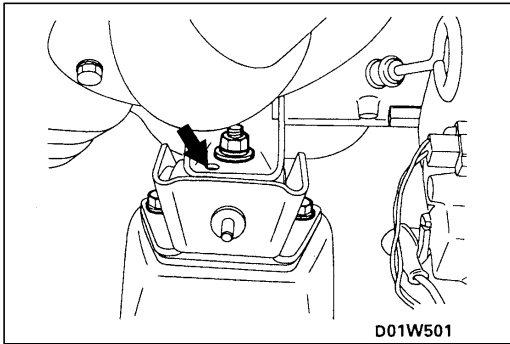
1. Heat protector
2. Front insulator stopper
3. Front engine support insulator

**REMOVAL SERVICE POINT****◀A▶ FRONT ENGINE SUPPORT INSULATOR REMOVAL**

1. Attach a chain to the engine hangers.
2. Using a chain block-and-tackle, hang the engine slightly up so that the insulator is free of engine weight.
3. Remove the front engine mounting insulator.

Caution

Do not raise the engine too high, or the radiator, fuel hoses and cables will be strained and damaged.



INSTALLATION SERVICE POINT

▶A◀ FRONT ENGINE SUPPORT INSULATOR INSTALLATION

Make sure that the locating boss and hole are in alignment.

Caution

Do not distort rubber portions, and never stain rubber portions with fuel or oil.

INSPECTION

32100120075

- Check insulators for cracks, separation or deformation.
- Check the front insulator stoppers for deformation.

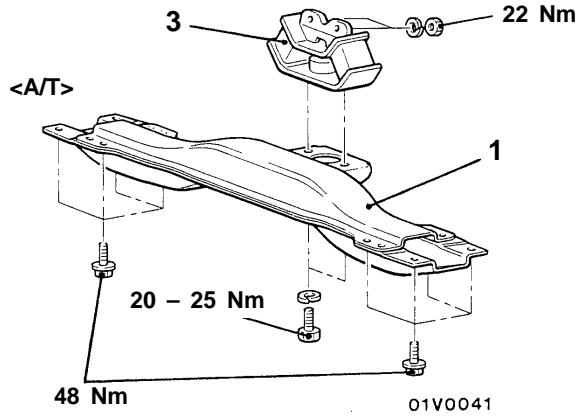
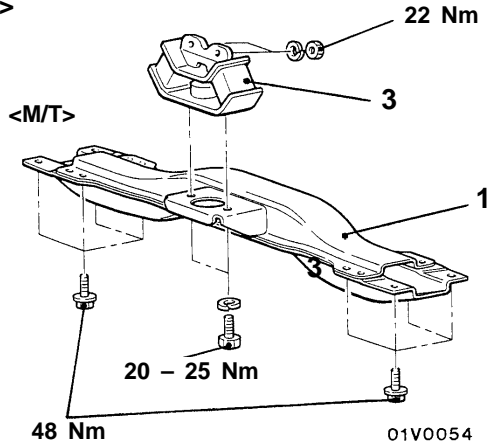
REAR ENGINE MOUNTING

REMOVAL AND INSTALLATION

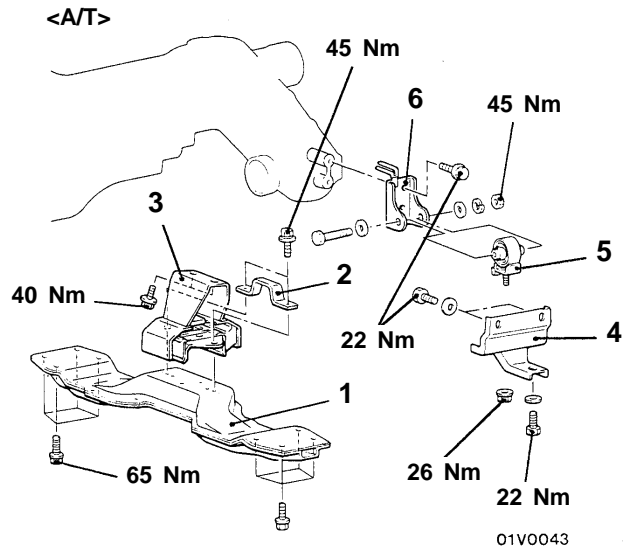
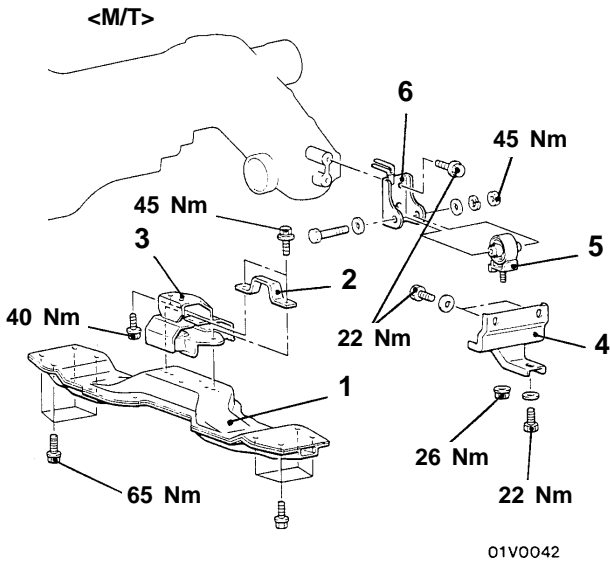
Pre-removal and Post-installation Operation

- Front Under Cover and Transfer Case Protector <4WD> Removal and Installation

<2WD>



<4WD>



00005128

2WD removal steps

1. No. 2 crossmember
3. Rear engine support insulator

4WD removal steps

- ◀A▶
1. No. 2 crossmember
 2. Stopper
 3. Rear engine support insulator
 4. Transfer support bracket
- ◀B▶ ▶A▶
5. Transfer roll stopper
 6. Transfer mount bracket

REMOVAL SERVICE POINTS**◀A▶ NO. 2 CROSSMEMBER REMOVAL**

Remove the No. 2 crossmember while supporting the transmission with a transmission jack.

◀B▶ TRANSFER ROLL STOPPER REMOVAL

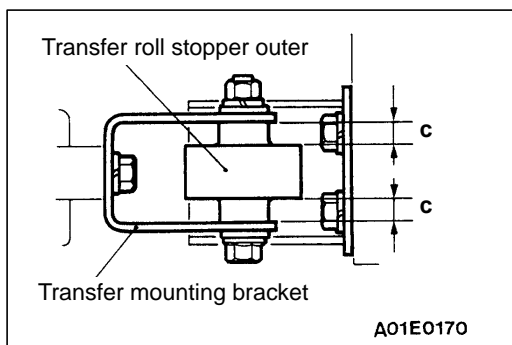
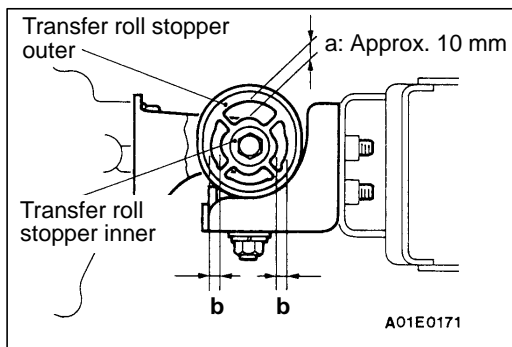
Remove the transfer roll stopper while supporting the transmission with a transmission jack.

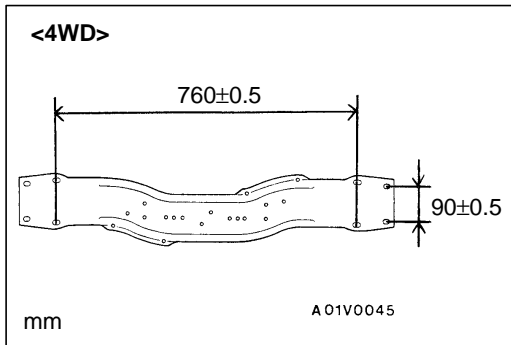
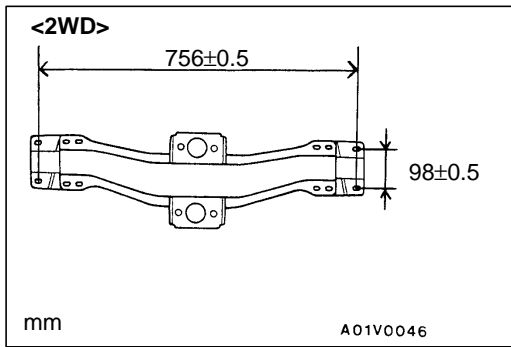
INSTALLATION SERVICE POINTS**▶A▶ TRANSFER ROLL STOPPER INSTALLATION**

1. Tighten the transfer roll stopper provisionally.
2. Make the engine and transmission assembly rest on the engine mount.
3. Tighten the transfer roll stoppers inner and outer finally so that the clearance (a) between the two are at the shown dimension.
4. Check that the right and left clearances (b) between the stoppers are equal.
5. Check that the clearances (c) between the transfer roll stopper and transfer mounting bracket are equal.

NOTE

When new, a transfer roll stopper consists of one part, but will separate into outer and inner part during use. This is normal.



**INSPECTION**

32100120082

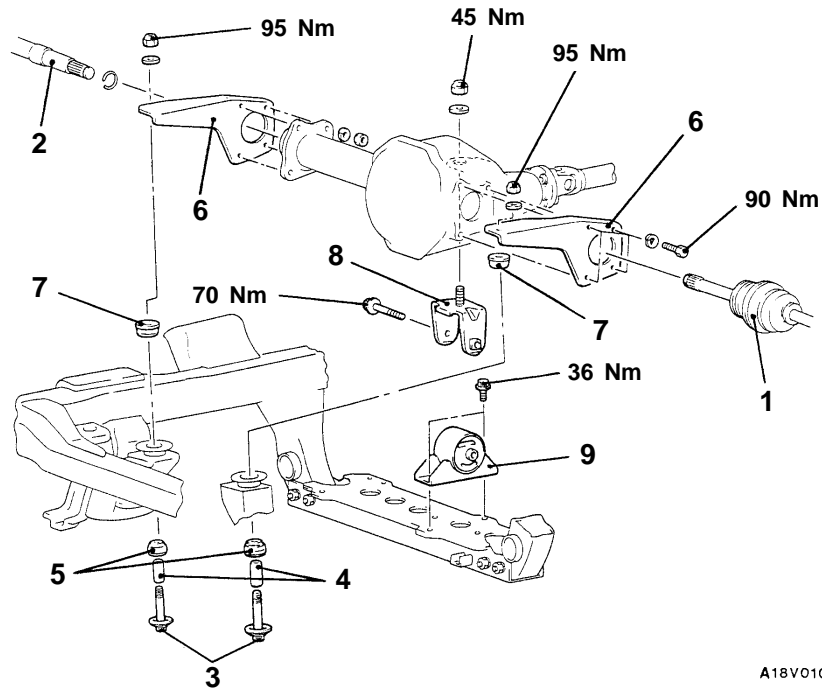
- Check insulators for cracks, separation or deformation.
- Check transfer mounting bracket for deformation or corrosion.
- Check transfer support bracket for deformation or corrosion.
- Check No. 2 crossmember for deformation or corrosion.

FRONT DIFFERENTIAL MOUNTING

REMOVAL AND INSTALLATION

Pre-removal and Post installation Operation

- Front Under Cover and Skid Plate Removal and Installation



A18V0103

Removal steps

1. Drive shaft (Refer to GROUP 26.)
2. Inner shaft (Refer to GROUP 26.)
3. Pin
4. Spacer
5. Differential mounting rubber B



6. Differential mounting bracket
7. Differential mounting rubber A
8. Differential support bracket
9. Differential mounting bracket

REMOVAL SERVICE POINT**◀A▶ DIFFERENTIAL MOUNTING BRACKET REMOVAL**

Remove the differential mounting bracket while supporting differential carrier with a jack.

INSPECTION

32100180028

- Check the differential mounting brackets for deformation and damage.
- Check the differential support bracket for deformation and damage.
- Check insulators for cracks, separation or deformation.
- Check differential mounting rubber for cracks and damage.

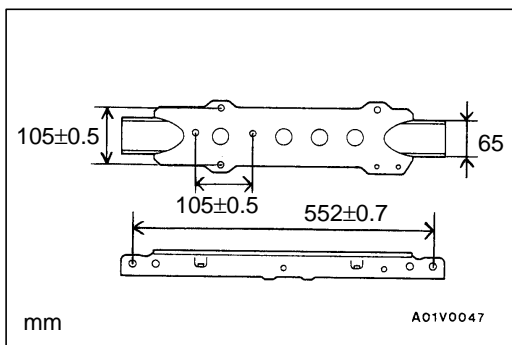
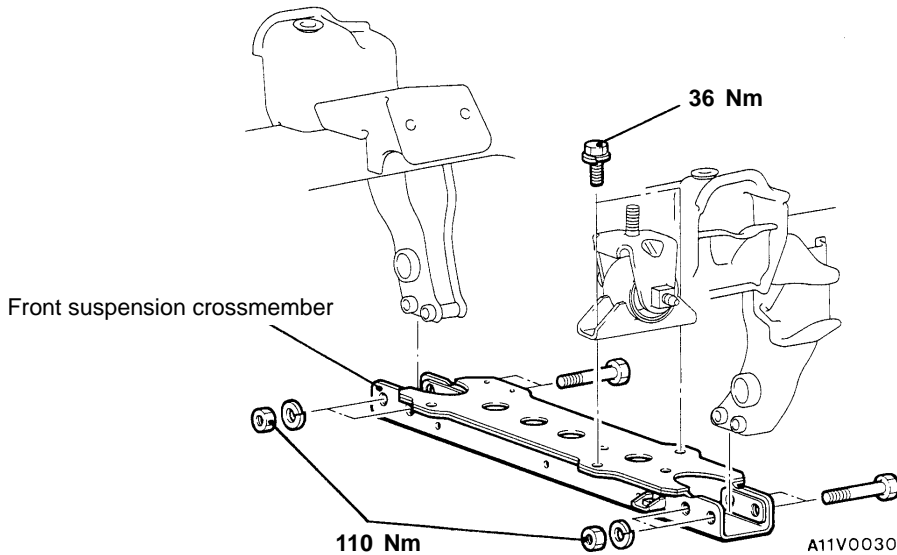
FRONT SUSPENSION CROSSMEMBER

32100350016

REMOVAL AND INSTALLATION

Pre-removal and Post-installation Operation

- Front Under Cover Removal and Installation



INSPECTION

32100360019

- Check crossmembers for cracks or damage.
- Check crossmembers as illustrated for dimensions.

NOTES