
PARKING BRAKES

PARKING BRAKES

CONTENTS

36109000125

GENERAL INFORMATION	2	Parking Brake Switch Check	4
SERVICE SPECIFICATIONS	2	PARKING BRAKE LEVER	
ON-VEHICLE SERVICE	3	<LEVER TYPE>	5
Parking Brake Lever Stroke Check		PARKING BRAKE PULL ROD	
<Lever Type>	3	<STICK TYPE>	6
Parking Brake Pull Rod Stroke Check		PARKING BRAKE CABLE	7
<Stick Type>	3		



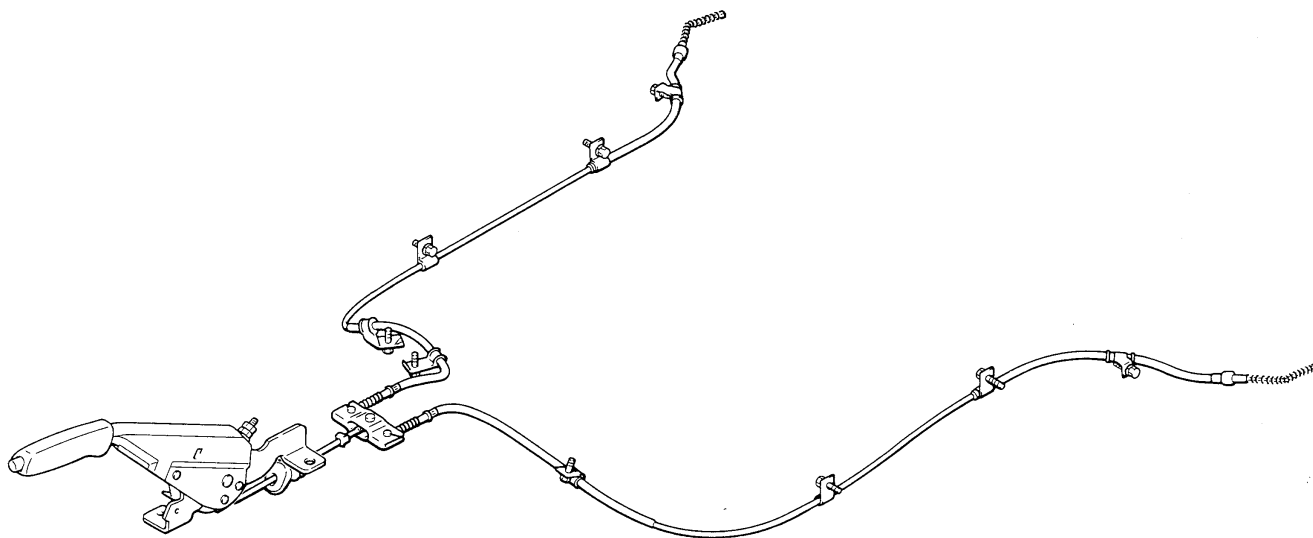
GENERAL INFORMATION

36100010110

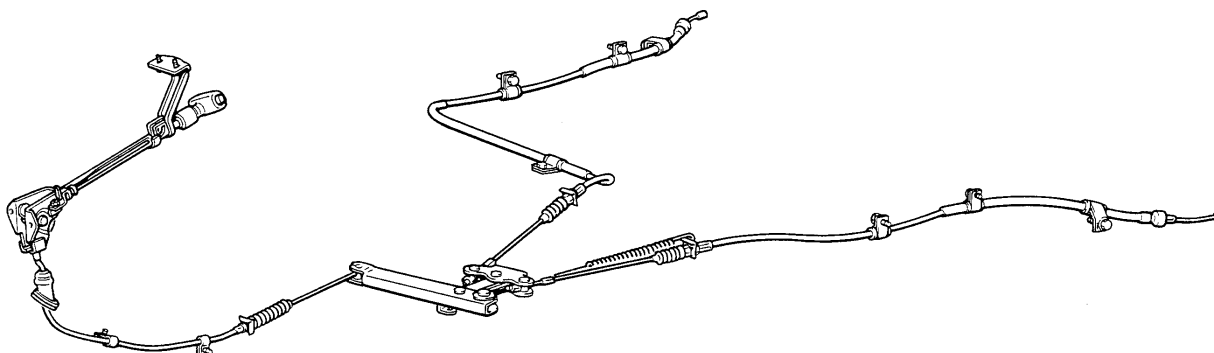
The parking brake is of a mechanical rear-wheel brake construction in all vehicles.

There are two types of parking brake. - stick type and lever type.

CONSTRUCTION DIAGRAM



14V0037



14V0095

SERVICE SPECIFICATIONS

36100030116

Item	Standard value
Parking brake lever stroke	6 – 7 notches
Parking brake pull rod stroke	11 – 13 notches

ON-VEHICLE SERVICE

36100090114

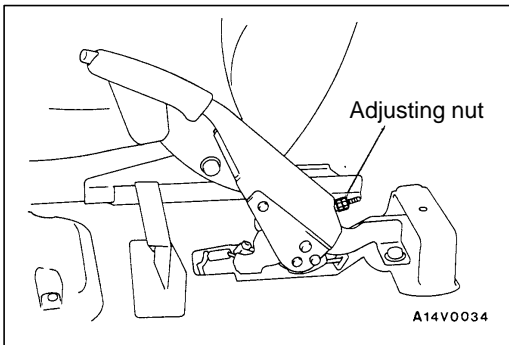
**PARKING BRAKE LEVER STROKE CHECK
<LEVER TYPE>**

1. Pull the parking brake lever with a force of approx. 196 N and count the number of notches.

Caution

The 196 N force of the parking brake lever must be strictly observed.

Standard value: 6 – 7 notches



2. Lever Stroke Adjustment
Loosen the adjusting nut as far as the end of the cable rod as shown in the illustration. Then release the parking brake cable to adjust the parking brake lever stroke by the following procedures.

- (1) With the engine idling, forcefully depress the brake pedal five or six times and confirm that the pedal stroke stops changing.

NOTE

If the pedal stroke stops changing, the automatic-adjusting mechanism is functioning normally, and clearance between the shoe and drum is correct.

- (2) Turn the adjusting nut to adjust the parking brake lever stroke to within the standard value range.

Caution

If the number of brake lever notches engaged is less than the standard value, the cable has been pulled excessively. Be sure to adjust it to the standard value.

- (3) Check to be sure that there is no play between the adjusting nut and the parking brake lever.
- (4) Release the parking brake lever, and jack up the rear of the vehicle.
- (5) Turn the rear wheel to confirm that the rear brakes are not dragging.

**PARKING BRAKE PULL ROD STROKE CHECK
<STICK TYPE>**

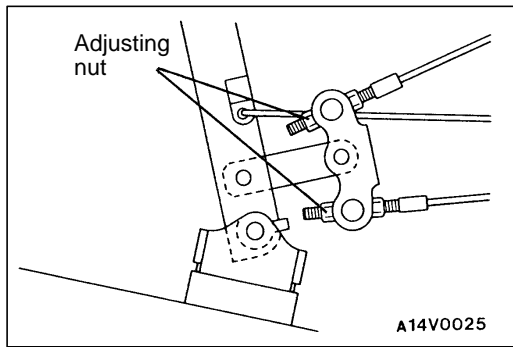
36109000149

1. Pull the parking brake pull rod with a force of approx. 196 N and count the number of notches.

Caution

The 196 N force of the parking brake pull rod must be strictly observed.

Standard value: 11 – 13 notches

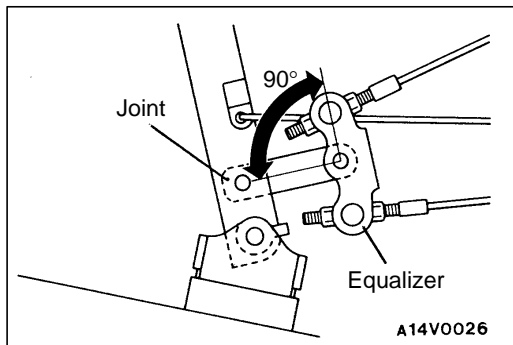


2. Pull Rod Stroke Adjustment
Loosen the adjusting nut and release the parking brake rear cable. Adjust by the following procedures.
 - (1) With the engine idling, forcefully depress the brake pedal five or six times and confirm that the pedal stroke stops changing.

NOTE

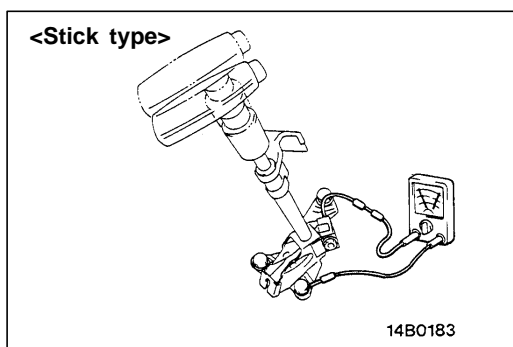
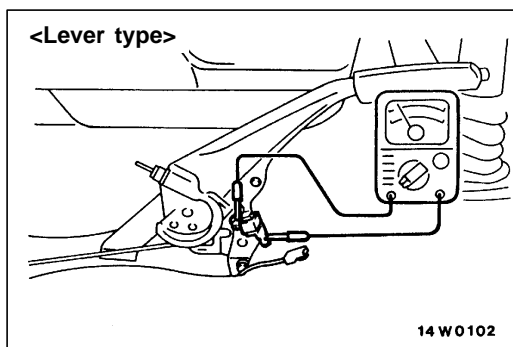
If the pedal stroke stops changing, the automatic-adjusting mechanism is functioning normally, and clearance between the shoe and drum is correct.

- (2) Turn the adjusting nut to adjust the parking brake pull rod stroke to within the standard value range.



Caution

1. Make sure that joint and equalizer are at right angles to each other.
2. If the number of brake pull rod notches engaged is less than the standard value, the cable has been pulled excessively. Be sure to adjust it to the standard value.
- (3) Adjust the pull rod stroke. Release the parking brake pull rod and jack up the rear of the vehicle.
- (4) Turn the rear wheel to confirm that the rear brakes are not dragging.



PARKING BRAKE SWITCH CHECK

36100330100

1. Disconnect the connector of the parking brake switch, and connect an ohmmeter to the parking brake switch and to the switch installation bolt.
2. The parking brake switch is good if there is continuity when the parking brake lever or parking brake pull rod is pulled, and there is no continuity when it is released.

PARKING BRAKE LEVER <LEVER TYPE>

36100130120

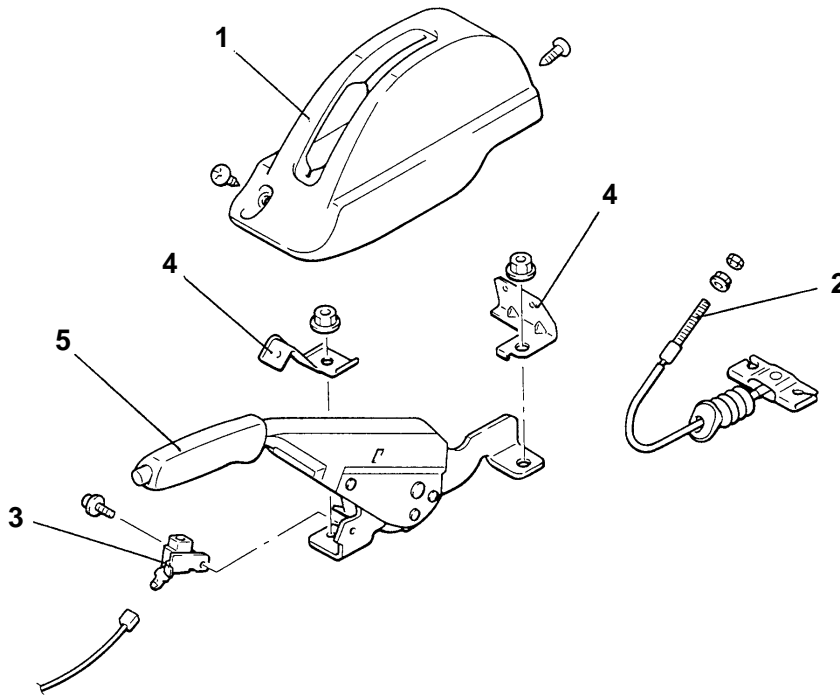
REMOVAL AND INSTALLATION

Pre-removal Operation

- Rear Floor Console Removal
<Vehicles with rear floor console>
(Refer to GROUP 52A – Floor Console.)

Post-installation Operation

- Rear Floor Console Installation
<Vehicles with rear floor console>
(Refer to GROUP 52A – Floor Console.)
- Parking Brake Lever Stroke Adjustment
(Refer to P.36-3.)



A18V0035

Removal steps

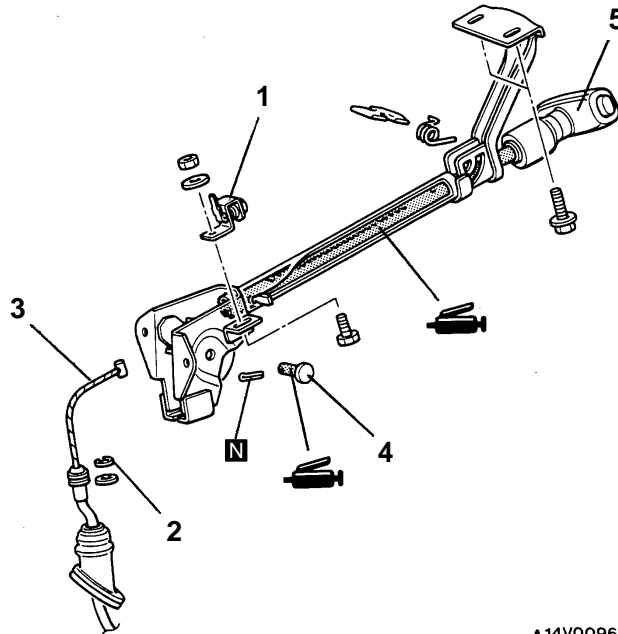
1. Parking cover <Vehicles without rear floor console>
2. Parking lever cable connection
3. Parking brake switch
4. Parking cover bracket <Vehicles without rear floor console>
5. Parking brake lever

PARKING BRAKE PULL ROD <STICK TYPE>

REMOVAL AND INSTALLATION

Post-installation Operation

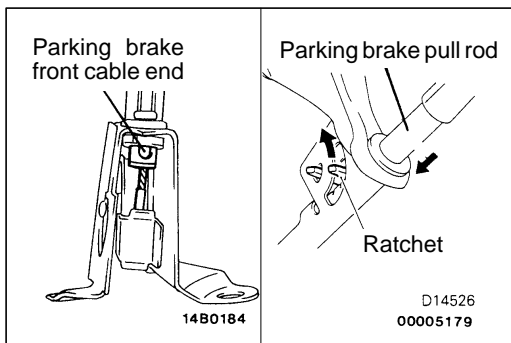
- Parking Brake Pull Rod Stroke Adjustment
(Refer to P.36-3.)



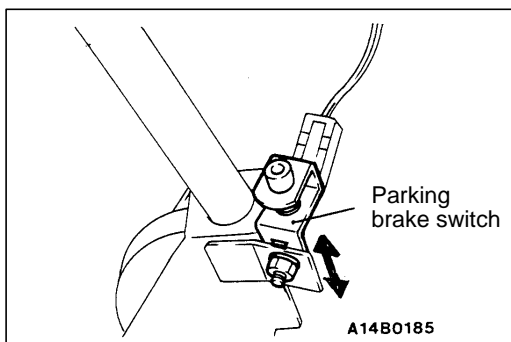
A14V0096

Removal steps

- ▶◀A▶
- ◀▶A▶
1. Parking brake switch
 2. Snap ring
 3. Parking brake front cable end
 4. Wire roller shaft
 5. Parking brake pull rod

**REMOVAL SERVICE POINT****◀▶A▶ PARKING BRAKE FRONT CABLE END REMOVAL**

Remove pawl from ratchet. With the parking brake pull rod pushed in, disconnect the parking brake front cable end from the parking brake pull rod.

**INSTALLATION SERVICE POINT****▶◀A▶ PARKING BRAKE SWITCH INSTALLATION**

Adjust the parking brake switch position so that the warning lamp will go out when parking brake pull rod is fully returned and will light when parking brake pull rod is pulled by a notch.

PARKING BRAKE CABLE

36100190166

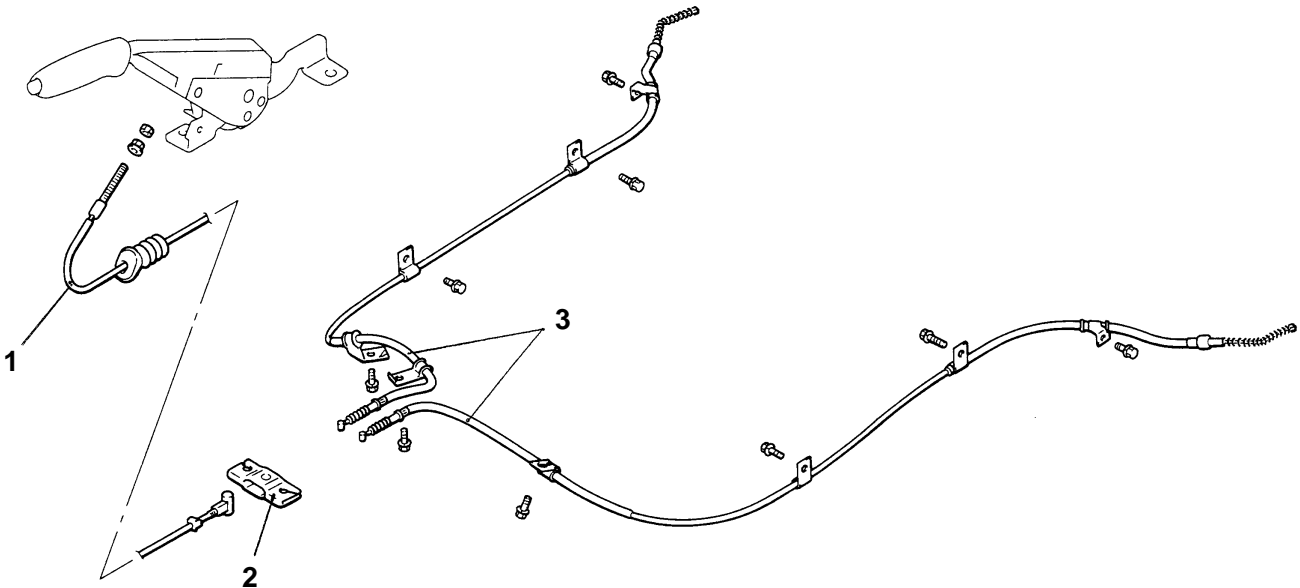
REMOVAL AND INSTALLATION <LEVER TYPE>

Pre-removal Operation

- Rear Floor Console Removal
<Vehicles with rear floor console>
(Refer to GROUP 52A – Floor Console.)
- Parking Cover Removal
<Vehicles without rear floor console>
(Refer to 36-5.)

Post-installation Operation

- Rear Floor Console Installation
<Vehicles with rear floor console>
(Refer to GROUP 52A – Floor Console.)
- Parking Cover Installation
<Vehicles without rear floor console>
(Refer to 36-5.)
- Parking Brake Lever Stroke Adjustment
(Refer to P.36-3.)



A14V0036

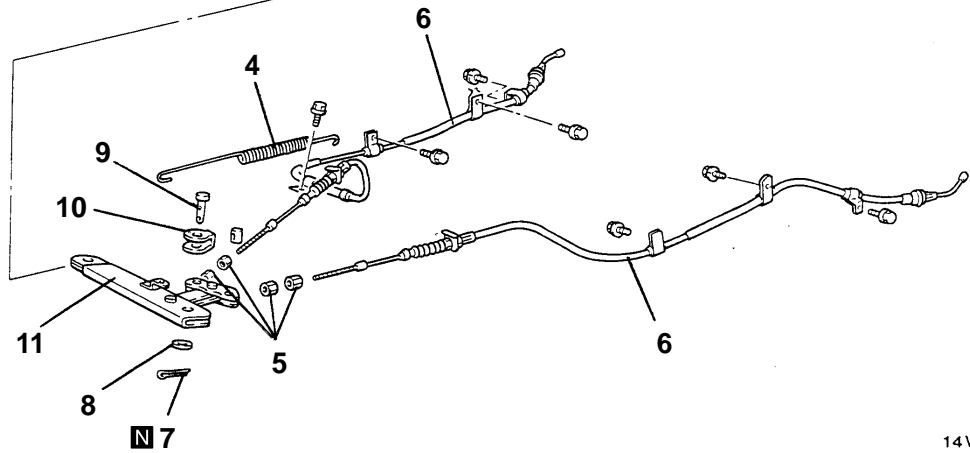
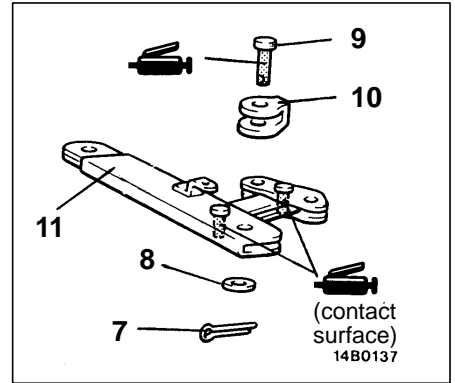
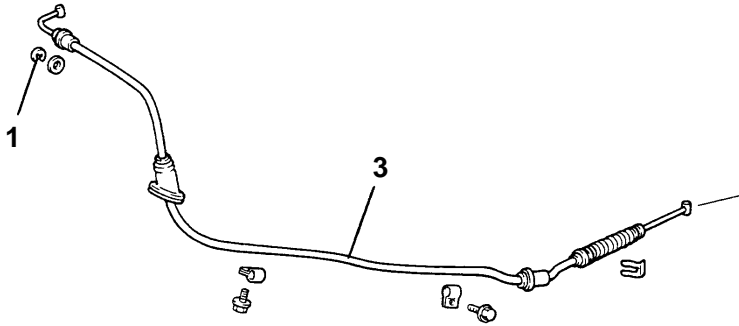
Removal steps

- Shoe and lining assembly (Refer to GROUP 35 – Rear Drum Brake.)
1. Front parking brake cable
 2. Cable equalizer
 3. Parking brake cable

REMOVAL AND INSTALLATION <STICK TYPE>

Post-installation Operation

- Parking Brake Pull Rod Stroke Adjustment (Refer to P.36-3.)

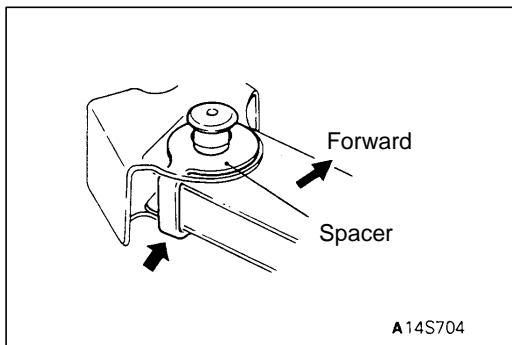


14V0011
00005180

Removal steps

- Shoe and lining assembly (Refer to GROUP 35A – Rear Drum Brake.)
1. Snap ring
 2. Clip
 3. Parking brake front cable
 4. Return spring
 5. Adjusting nut

6. Parking brake rear cable end
7. Split pin
8. Plane washer
9. Clevis pin
10. Spacer
11. Lever assembly



A14S704

INSTALLATION SERVICE POINT

▶A◀ SPACER INSTALLATION

Install the spacer with its projection located towards rear of the vehicle.