
INTERIOR

INTERIOR

CONTENTS

52109000255

SERVICE SPECIFICATIONS	3	TRIMS	8
ADHESIVE	3	FRONT SEAT	12
SPECIAL TOOL	3	REAR SEAT	17
INSTRUMENT PANEL*	4	FRONT SEAT BELT	18
FLOOR CONSOLE	7	REAR SEAT BELT	19

WARNINGS REGARDING SERVICING OF SUPPLEMENTAL RESTRAINT SYSTEM (SRS) EQUIPPED VEHICLES

WARNING!

- (1) Improper service or maintenance of any component of the SRS, or any SRS-related component, can lead to personal injury or death to service personnel (from inadvertent firing of the air bag) or to the driver (from rendering the SRS inoperative).
- (2) Service or maintenance of any SRS component or SRS-related component must be performed only at an authorized MITSUBISHI dealer.
- (3) MITSUBISHI dealer personnel must thoroughly review this manual, and especially its GROUP 52B – Supplemental Restraint System (SRS) before beginning any service or maintenance of any component of the SRS or any SRS-related component.

NOTE

The SRS includes the following components: impact sensors, SRS diagnosis unit, SRS warning lamp, air bag module, clock spring and interconnecting wiring. Other SRS-related components (that may have to be removed/installed in connection with SRS service or maintenance) are indicated in the table of contents by an asterisk (*).

SERVICE SPECIFICATIONS

52100030031

Items		Standard value
Seatback heater resistance (between terminals) Ω		Approx. 8
Seat cushion heater resistance (between terminals) Ω	Between terminals 2 and 3	Approx. 8
	Between terminals 1 and 3	0

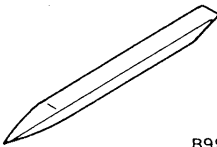
ADHESIVE

52100050068

Items	Specified adhesive
Back panel trim, lower B to back panel trim, lower extension <Club cab>	Adhesive tape: double-sided tape [8 mm width and 0.16 mm thickness]

SPECIAL TOOL

52100060146

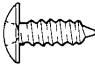
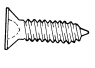
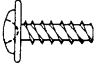
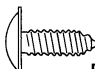


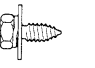
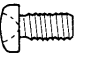
Tool	Number	Name	Use
 <p>B990784</p>	MB990784	Ornament remover	Removal of switch, trim, etc.

INSTRUMENT PANEL

52100170153

REMOVAL AND INSTALLATION

For installation of the instrument panel, the bolts and screws described below are used. They are indicated by symbols in the illustration.

Name	Symbol	Size mm (D x L)	Colour	Shape
Tapping screw	A	5 x 12	–	 A00Z0010
	B	5 x 16	–	
	C	5 x 12	Black	 19X0639
	D	5 x 16		
	E	5 x 20		
	F	5 x 12	–	 B00Z0010
	G	5 x 16		
	H	5 x 16	Black	 D19N0001
Washer assembled screw	I	5 x 12	–	 C00Z0010
	J	5 x 16	–	
	K	5 x 20	Black	
Washer assembled bolt	L	6 x 8	–	 D00Z0010
	M	6 x 16	–	
	N	8 x 16	–	
	O	6 x 16	–	 F00Z0010
Machine screw	P	4 x 8	–	 J00Z0010

D = Thread diameter

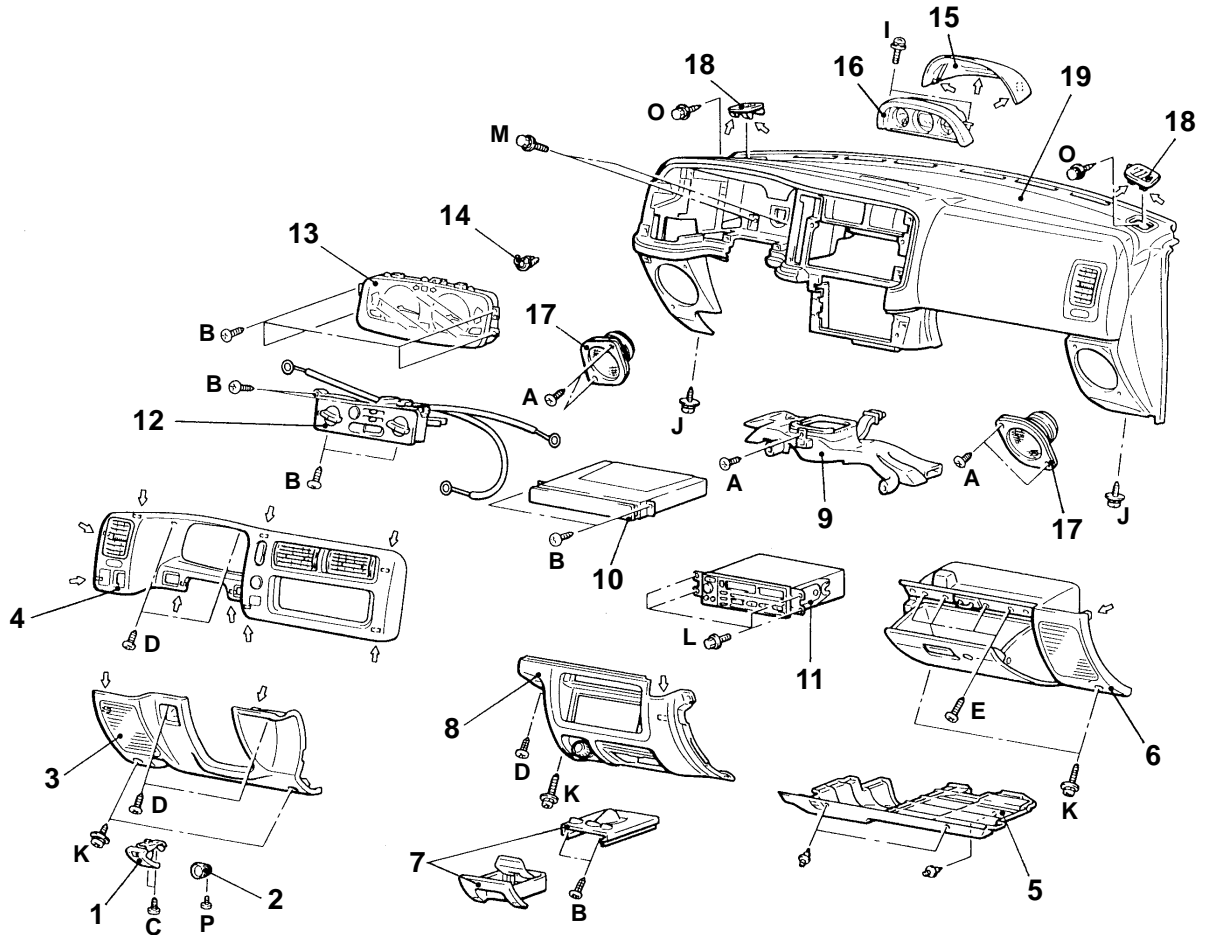
L = Effective thread length

CAUTION: SRS

When removing and installing the instrument panel (vehicles equipped with SRS), do not let it bump against the SRS diagnosis unit.

Pre-removal and Post-installation Operation

- Floor Console Assembly Removal and Installation (Refer to P. 52A-7.)
- Steering Wheel and Column Cover Removal and Installation (Refer to GROUP 37A.)



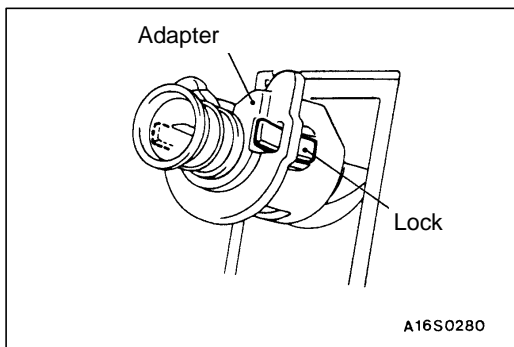
A19V0052

NOTE

↔ : Metal clip position

Removal steps

- | | | |
|--|------------|---|
| <ol style="list-style-type: none"> 1. Hood lock release handle 2. Throttle cable knob <Diesel-powered vehicles> 3. Driver side under cover 4. Meter bezel assembly 5. Under cover 6. Glove box assembly 7. Ashtray assembly 8. Center under cover 9. Foot duct 10. Cup holder assembly | <p>◀A▶</p> | <ol style="list-style-type: none"> 11. Radio and tape player 12. Heater control assembly (Refer to GROUP 55.) 13. Combination meter 14. Adapter 15. Multi-meter panel <4WD> 16. Multi-meter assembly <4WD> 17. Speaker 18. Side defroster grille 19. Instrument panel assembly |
|--|------------|---|



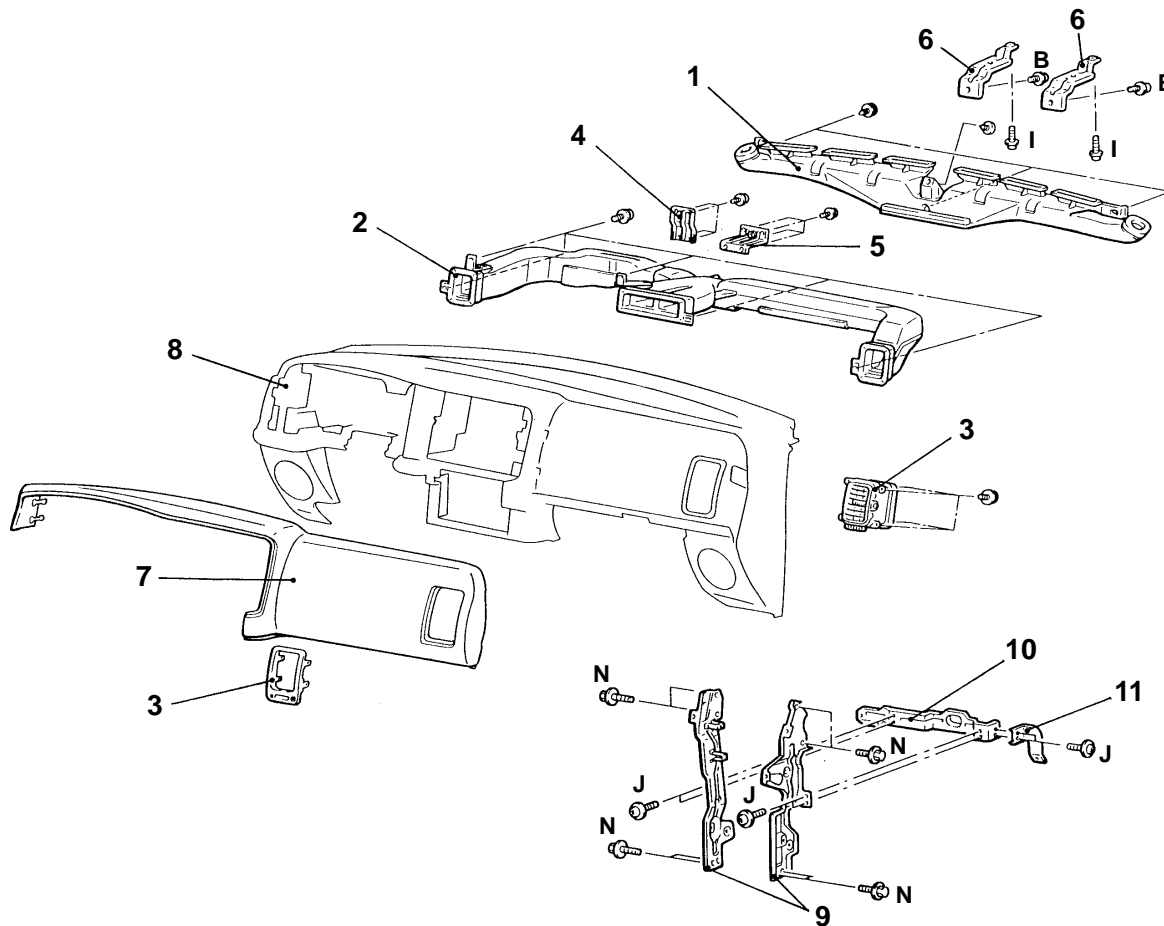
REMOVAL SERVICE POINT

◀A▶ ADAPTER REMOVAL

1. Remove the adapter lock from the instrument panel.
2. Pull the speedometer cable slightly into the passenger compartment, and remove the adapter.

DISASSEMBLY AND REASSEMBLY

52100190142



A19V0051

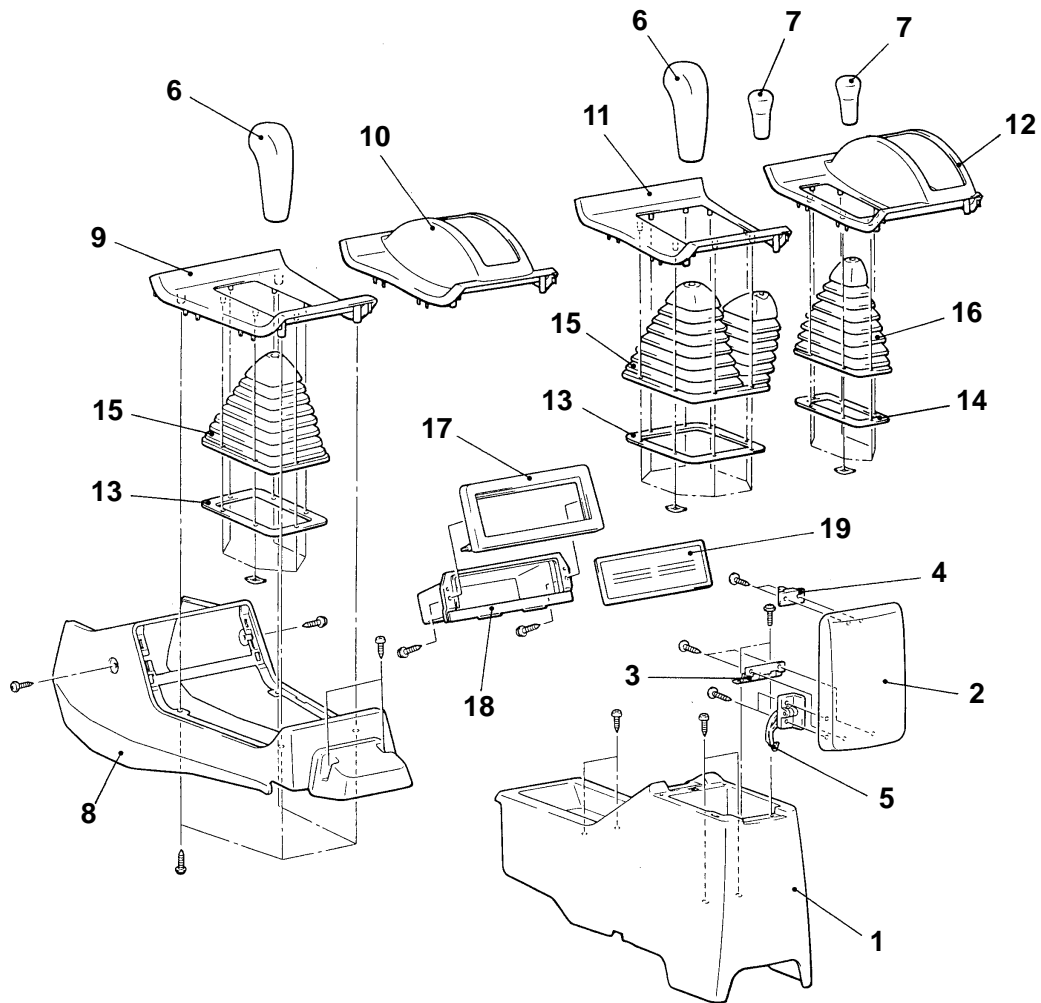
Disassembly steps

- | | |
|--|---|
| <ol style="list-style-type: none"> 1. Defroster nozzle 2. Distribution duct 3. Air outlet assembly 4. Combination meter reinforcement 5. Instrument panel reinforcement 6. Multi-meter bracket | <ol style="list-style-type: none"> 7. Instrument pad 8. Instrument panel 9. Center reinforcement 10. Center reinforcement A 11. Center reinforcement B |
|--|---|

FLOOR CONSOLE

52100220124

REMOVAL AND INSTALLATION



A19V0053

Removal steps

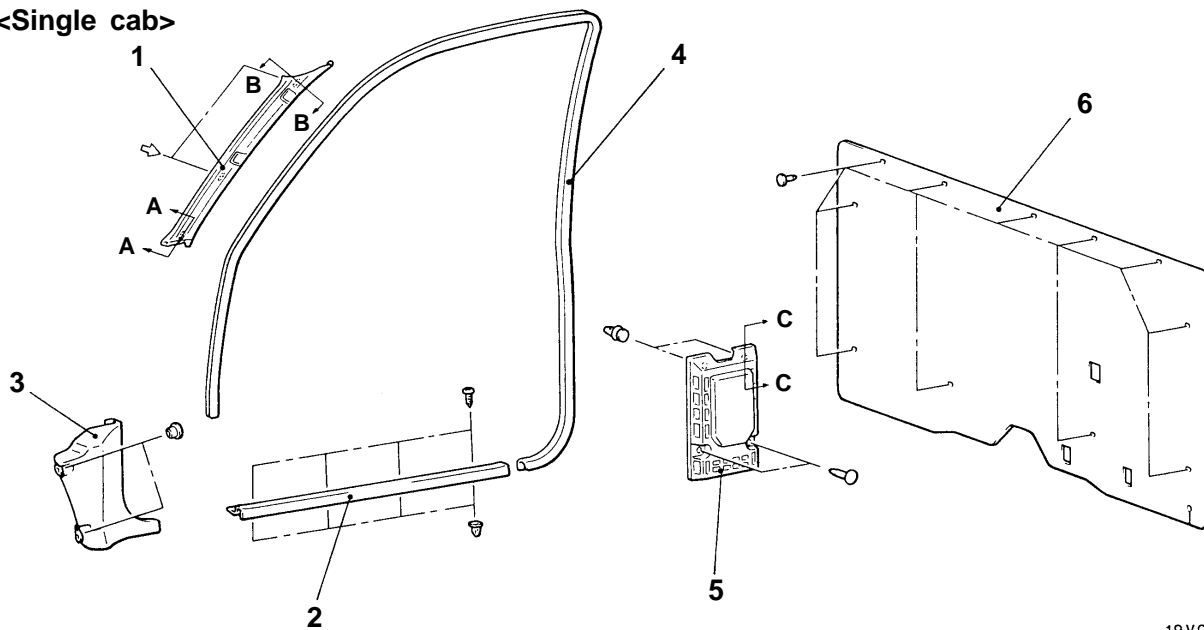
- | | |
|--|---|
| <ol style="list-style-type: none"> 1. Rear floor console assembly 2. Console lid 3. Console lid hinge 4. Striker 5. Stopper 6. Transmission shift lever knob <M/T> 7. Transfer shift lever knob <4WD> 8. Front floor console assembly 9. Console panel A <2WD-M/T> 10. Console panel B <2WD-A/T> | <ol style="list-style-type: none"> 11. Console panel C <4WD-M/T> 12. Console panel D <4WD-A/T> 13. Shift lever boots reinforcement <M/T> 14. Transfer lever boots reinforcement <4WD-A/T> 15. Shift lever boots <M/T> 16. Transfer lever boots <4WD-A/T> 17. Console panel 18. Box <Vehicles without SRS> 19. Radio plug <Vehicles with SRS> |
|--|---|

TRIMS

52100110162

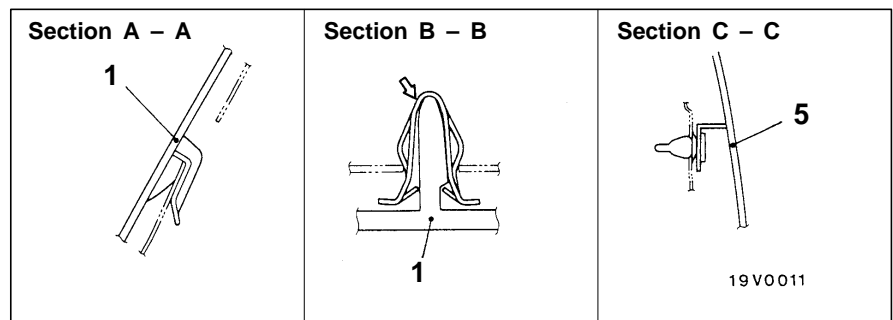
REMOVAL AND INSTALLATION

<Single cab>



19V0041

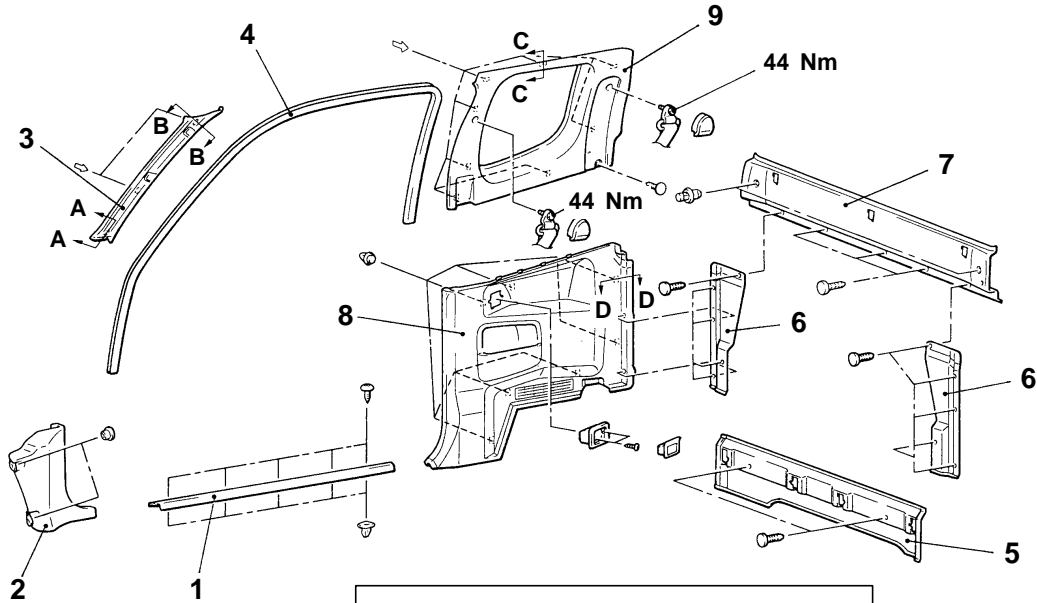
NOTE
 ⇐ : Metal clip position



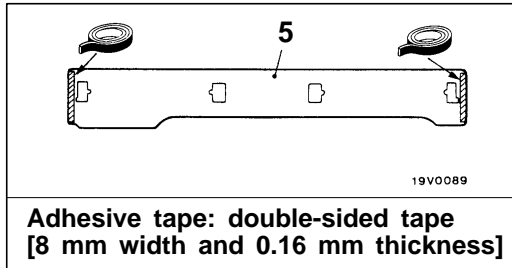
00005084

- 1. Front pillar trim
- 2. Scuff plate
- 3. Cowl side trim
- 4. Door opening weatherstrip, inner
- 5. Retractor cover
- 6. Back panel trim, lower

<Club cab>



NOTE
 ⇐ : Metal clip position



19V0042

Adhesive tape: double-sided tape
 [8 mm width and 0.16 mm thickness]

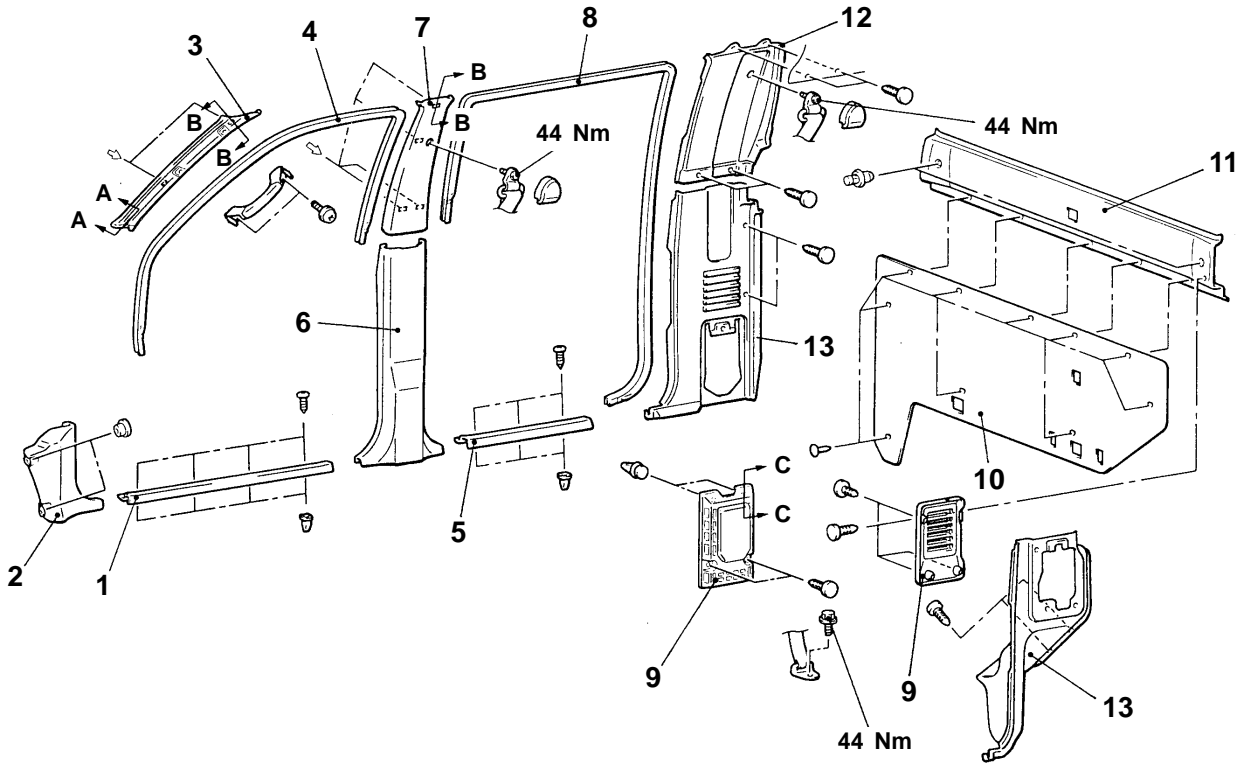
Section A – A	Section B – B	Section C – C	Section D – D
 19V0011	 19V0011	 19V0026	 19V0025

00005085

1. Scuff plate
2. Cowl side trim
3. Front pillar trim
4. Front door opening weatherstrip, inner
- Rear seat assembly (Refer to P.52A-17.)

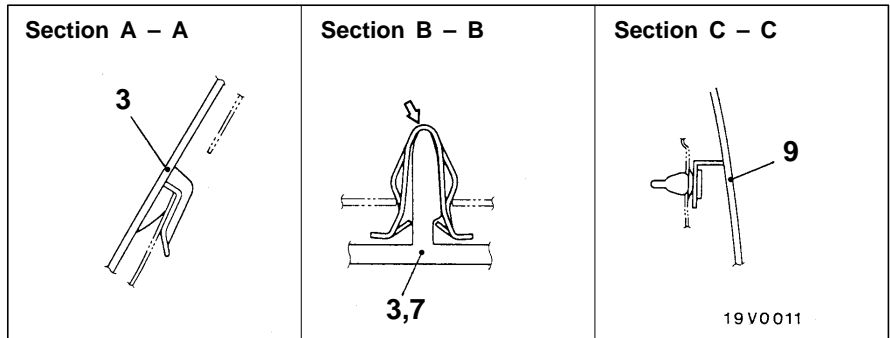
5. Back panel trim, lower
6. Back panel trim, lower extension
7. Back panel trim, upper
8. Quarter trim, lower
9. Quarter trim, upper

<Double cab-Full trim>



19V0044

NOTE
 ↔ : Metal clip position



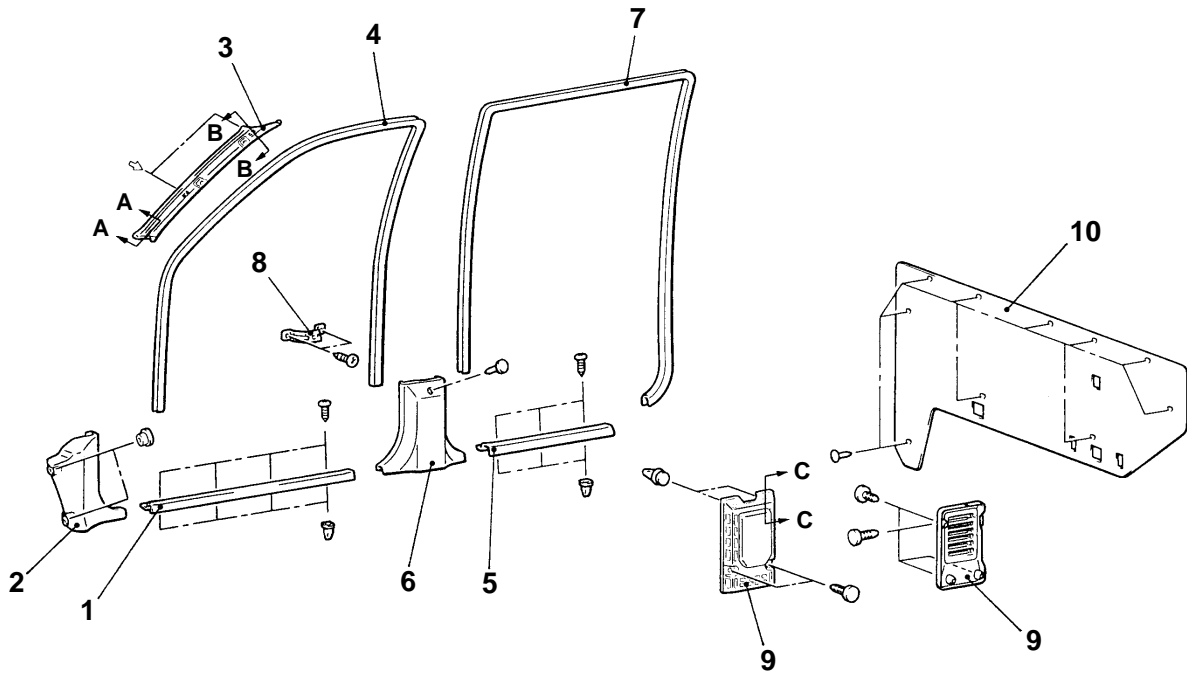
19V0011

00005087

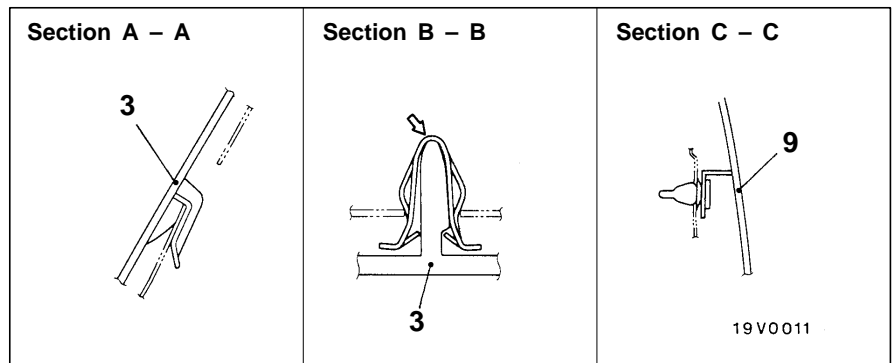
- 1. Front scuff plate
- 2. Cowl side trim
- 3. Front pillar trim
- 4. Front door opening weatherstrip, inner
- 5. Rear scuff plate
- 6. Center pillar trim, lower
- 7. Center pillar trim, upper

- 8. Rear door opening weatherstrip, inner
- 9. Retractor cover
- 10. Back panel trim, lower
- 11. Back panel trim, upper
- 12. Rear pillar trim, upper
- 13. Rear pillar trim, lower

<Double cab-Partial trim>



19V0043



NOTE
 ⇐ : Metal clip position

00005088

- 1. Front scuff plate
- 2. Cowl side trim
- 3. Front pillar trim
- 4. Front door opening weatherstrip, inner
- 5. Rear scuff plate

- 6. Center pillar trim, lower
- 7. Rear door opening weatherstrip, inner
- 8. Trim bracket
- 9. Retractor cover
- 10. Back panel trim, lower

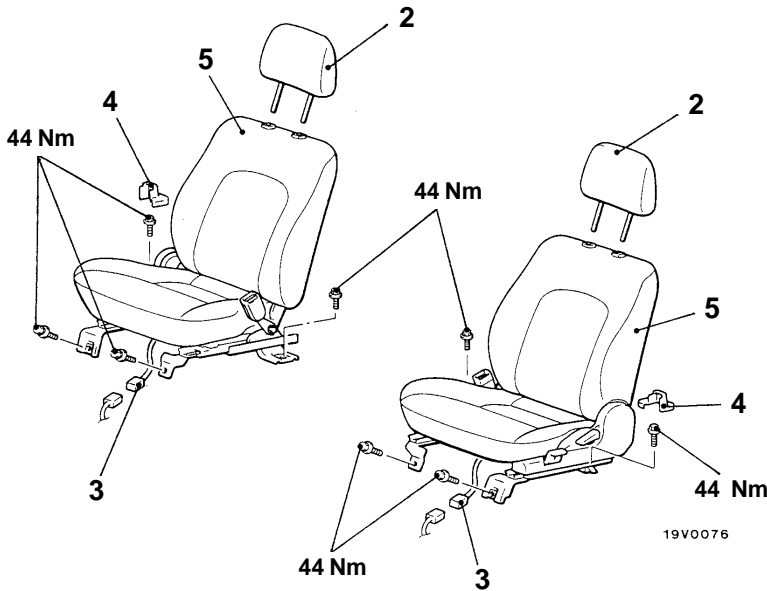
FRONT SEAT

REMOVAL AND INSTALLATION

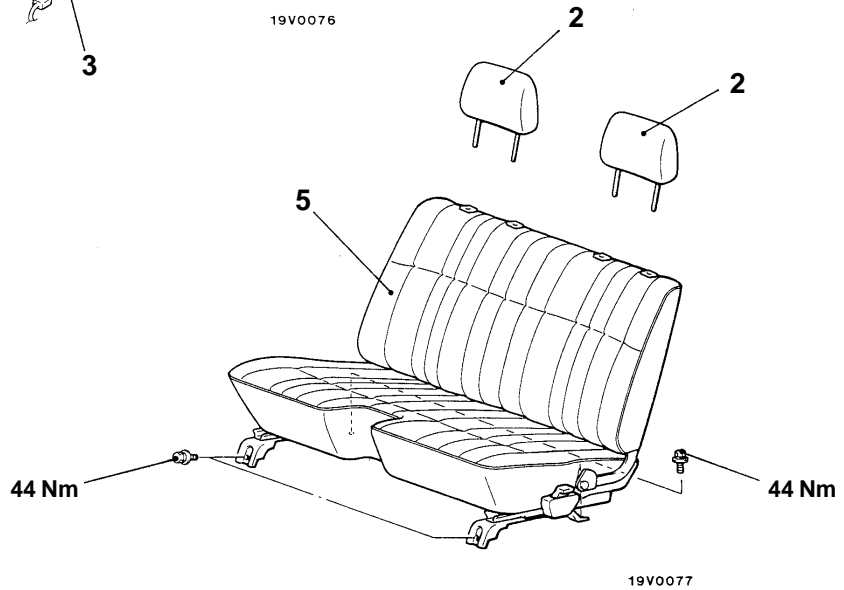
Pre-removal and Post-installation Operation

- Rear Floor Console Assembly Removal and Installation (Refer to P.52A-7).

<SEPARATE TYPE>



<BENCH TYPE>



- 1. Heated seat switch
<vehicles with heated seat>
- 2. Headrest

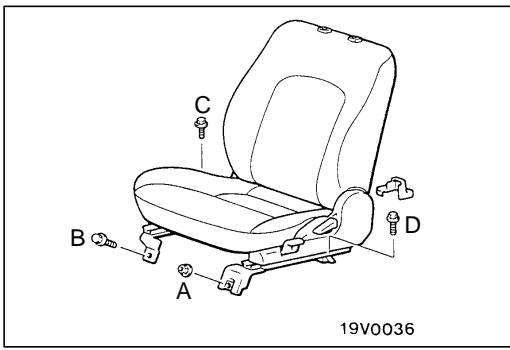
Front seat assembly removal steps

- 3. Harness connector
<vehicles with heated seat>
- 4. Seat anchor cover
- 5. Front seat assembly



NOTE

After provisionally tightening the seat assembly mounting nuts and bolts in every installation location, fully tighten them to the specified torque.



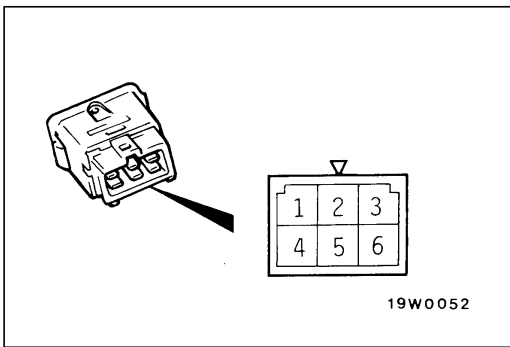
INSTALLATION SERVICE POINT

▶◀ FRONT SEAT ASSEMBLY INSTALLATION

Tighten the front seat mounting bolts in the order A, B, C and D.

Caution

Do not slide the seat while tightening the bolts. If the above procedures are not observed, the seat adjusters at left and right will not be aligned properly with each other and a locking mechanism will be damaged.



INSPECTION

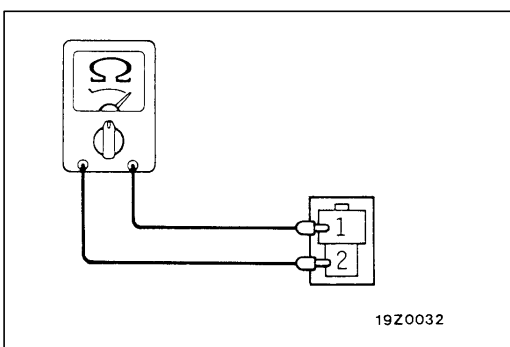
52200390026

HEATED SEAT SWITCH CONTINUITY CHECK

Switch position	Terminal No.							
	1	2	IND	5	6	3	ILL	4
HI	○	○	⚡	○	+	○	⚡	○
OFF						○	⚡	○
LO		○	⚡	○	+	○	⚡	○

NOTE

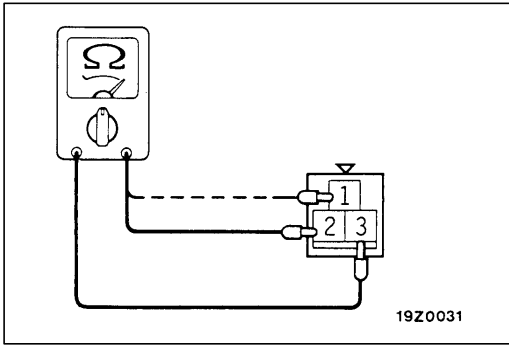
To inspect the diode, match the polarity of the circuit tester with the (+) (-) polarities in the table.



SEATBACK HEATER CHECK

Measure the resistance between terminals.

Standard value: Approx. 8 Ω

**SEAT CUSHION HEATER CHECK**

Measure the resistance between terminals.

Standard value:

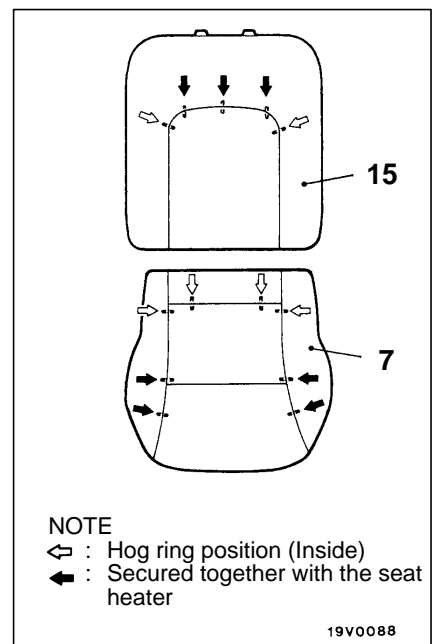
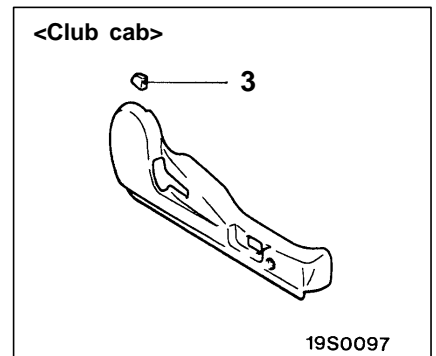
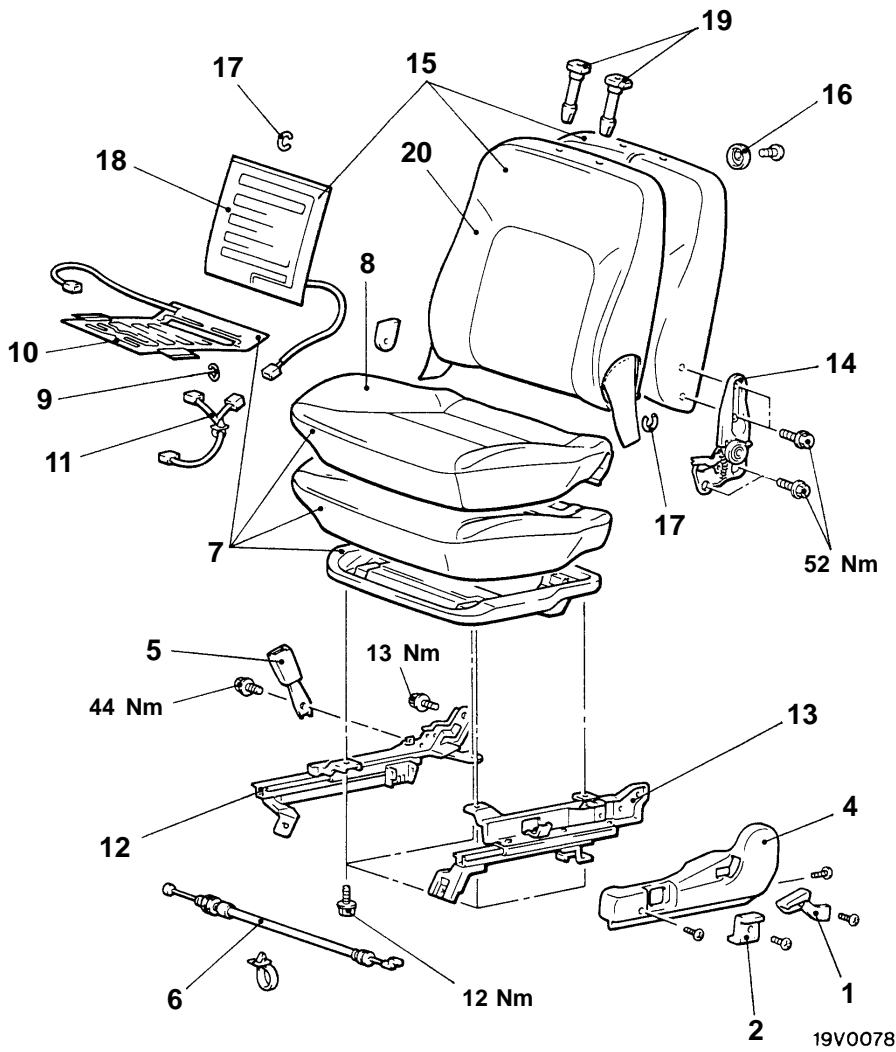
Between terminals 2 and 3: Approx. 8 Ω

Between terminals 1 and 3: 0 Ω

DISASSEMBLY AND REASSEMBLY

52200150181

<SEPARATE TYPE>

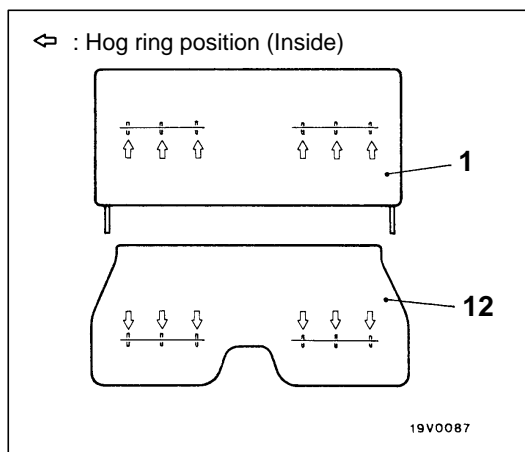
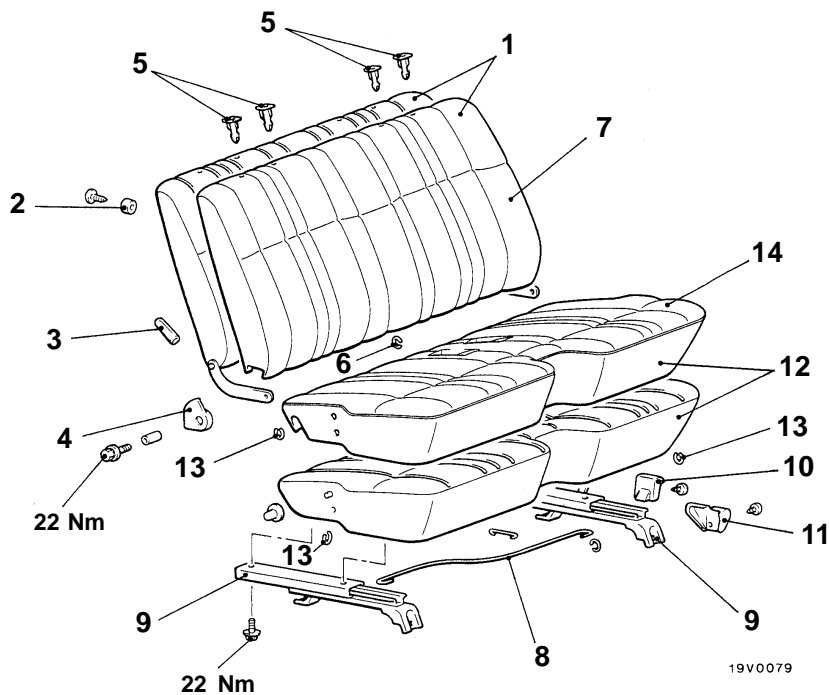


00005090

Disassembly steps

- | | |
|---|--|
| <ol style="list-style-type: none"> 1. Reclining adjuster knob 2. Slide adjuster knob 3. Walk-in knob (Passenger side)
<Club cab> 4. Front seat side shield cover 5. Inner seat belt 6. Wire assembly 7. Seat cushion assembly 8. Seat cushion cover 9. Hog ring 10. Seat cushion heater | <ol style="list-style-type: none"> 11. Seat heater wiring harness
<Vehicles with heated seat> 12. Seat inner adjuster 13. Seat outer adjuster 14. Reclining adjuster 15. Seat back assembly 16. Damper <Single cab> 17. Hog ring 18. Seatback heater 19. Headrest guide 20. Seatback cover |
|---|--|

<BENCH TYPE>



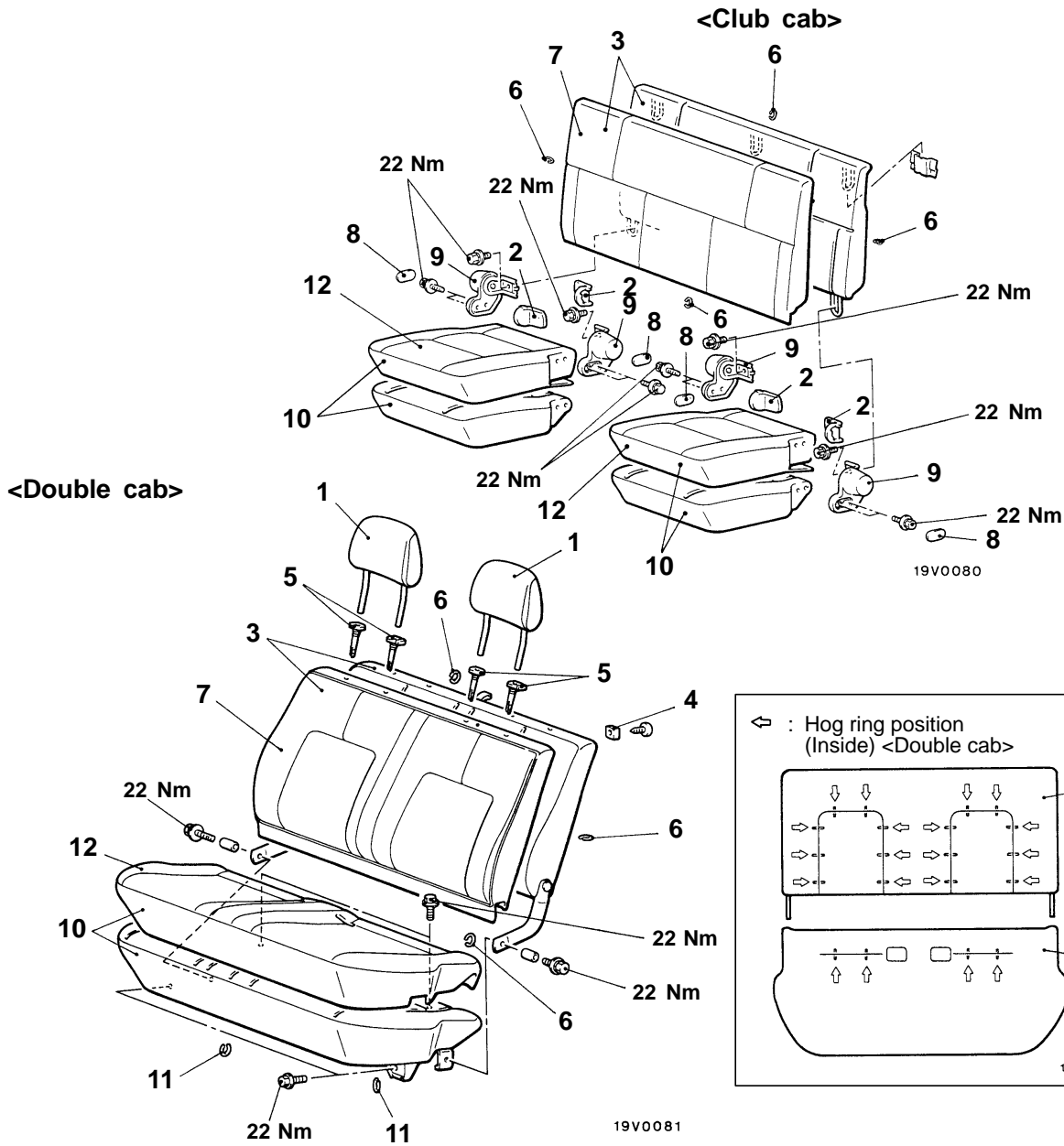
00005091

Disassembly steps

- | | |
|---|--|
| <ul style="list-style-type: none"> 1. Seat back assembly 2. Damper 3. Knob 4. Hinge cap 5. Headrest guide 6. Hog ring 7. Seat back cover | <ul style="list-style-type: none"> 8. Pull wire 9. Seat adjuster 10. Knob 11. Cover 12. Seat cushion assembly 13. Hog ring 14. Seat cushion cover |
|---|--|

REAR SEAT

REMOVAL AND INSTALLATION



1. Headrest <Double cab>

Removal steps

- 2. Seat anchor cover <Club cab>
- 3. Seatback assembly
- 4. Damper <Double cab>
- 5. Headrest guide <Double cab>
- 6. Hog ring

7. Seatback cover

8. Shield cap <Club cab>

9. Rear seat hinge assembly <Club cab>

10. Seat cushion assembly

11. Hog ring

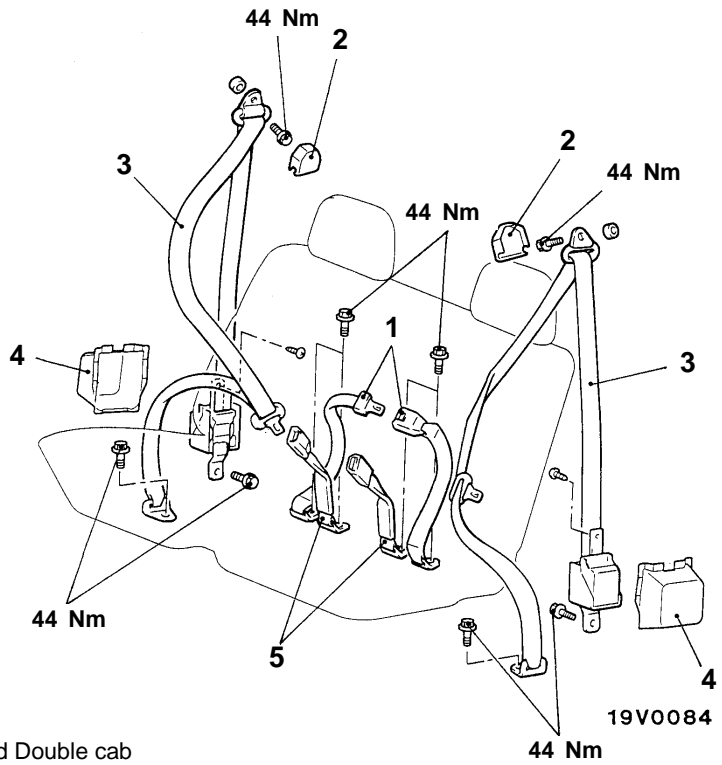
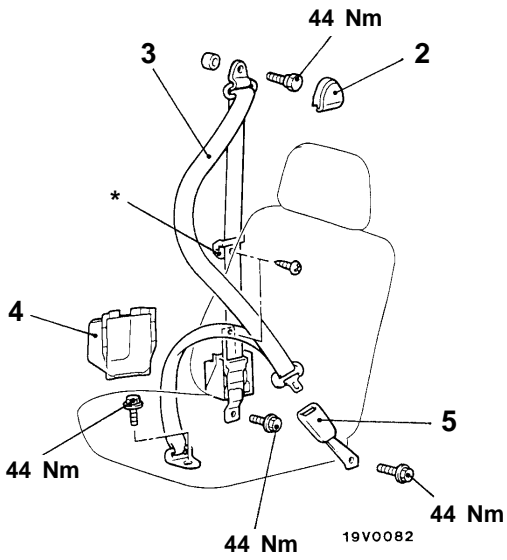
12. Seat cushion cover

FRONT SEAT BELT

REMOVAL AND INSTALLATION

<SEPARATE SEAT TYPE>

<BENCH SEAT TYPE>



NOTE
*: Club cab and Double cab

00005093

1. Center seat belt (Inner, outer)

Outer seat belt removal steps

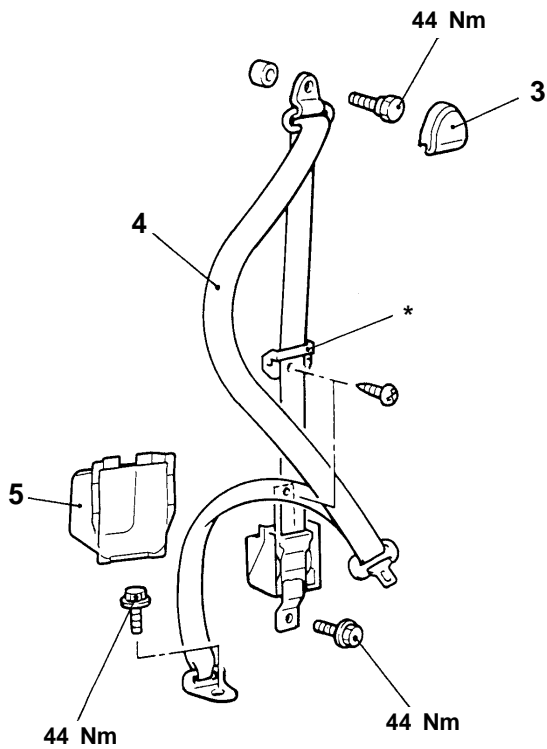
- Retractor cover <Single cab> (Refer to P. 52A-8.)
- Quarter trim, lower <Club cab> (Refer to P. 52A-9.)
- Center pillar trim, lower <Double cab> (Refer to P. 52A-10, 11.)
- 2. Sash guide cover
- 3. Outer seat belt
- 4. Waterproof cover

Inner seat belt removal steps

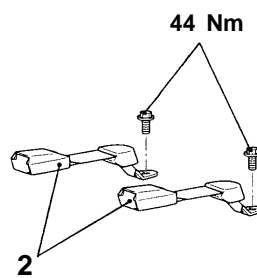
- Rear floor console (Refer to P. 52A-7.)
- 5. Inner seat belt

REAR SEAT BELT

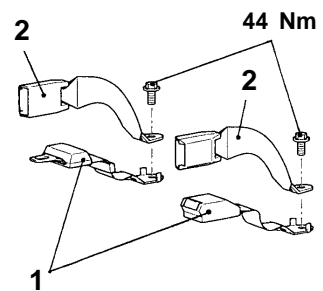
REMOVAL AND INSTALLATION



<Club cab>



<Double cab>



NOTE
*: Club cab

19V0083

19V0085

00005094

Removal steps

- Rear seat <Double cab> (Refer to P. 52A-17.)
- 1. Inner, outer seat belt (center seat belt)
- 2. Inner seat belt
- Quarter trim <Club cab> (Refer to P.52A-9.)
- Retractor cover <Double cab> (Refer to P. 52A-10.)
- 3. Sash guide cover
- 4. Outer seat belt
- 5. Waterproof cover

NOTES

GROUP 52A INTERIOR

GENERAL



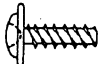
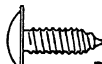


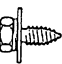

OUTLINE OF CHANGE

- The service procedures have been established to correspond to the adoption of the under cover box and floor box.

INSTRUMENT PANEL

REMOVAL AND INSTALLATION

For installation of the instrument panel, the bolts and screws described below are used. They are indicated by symbols in the illustration.

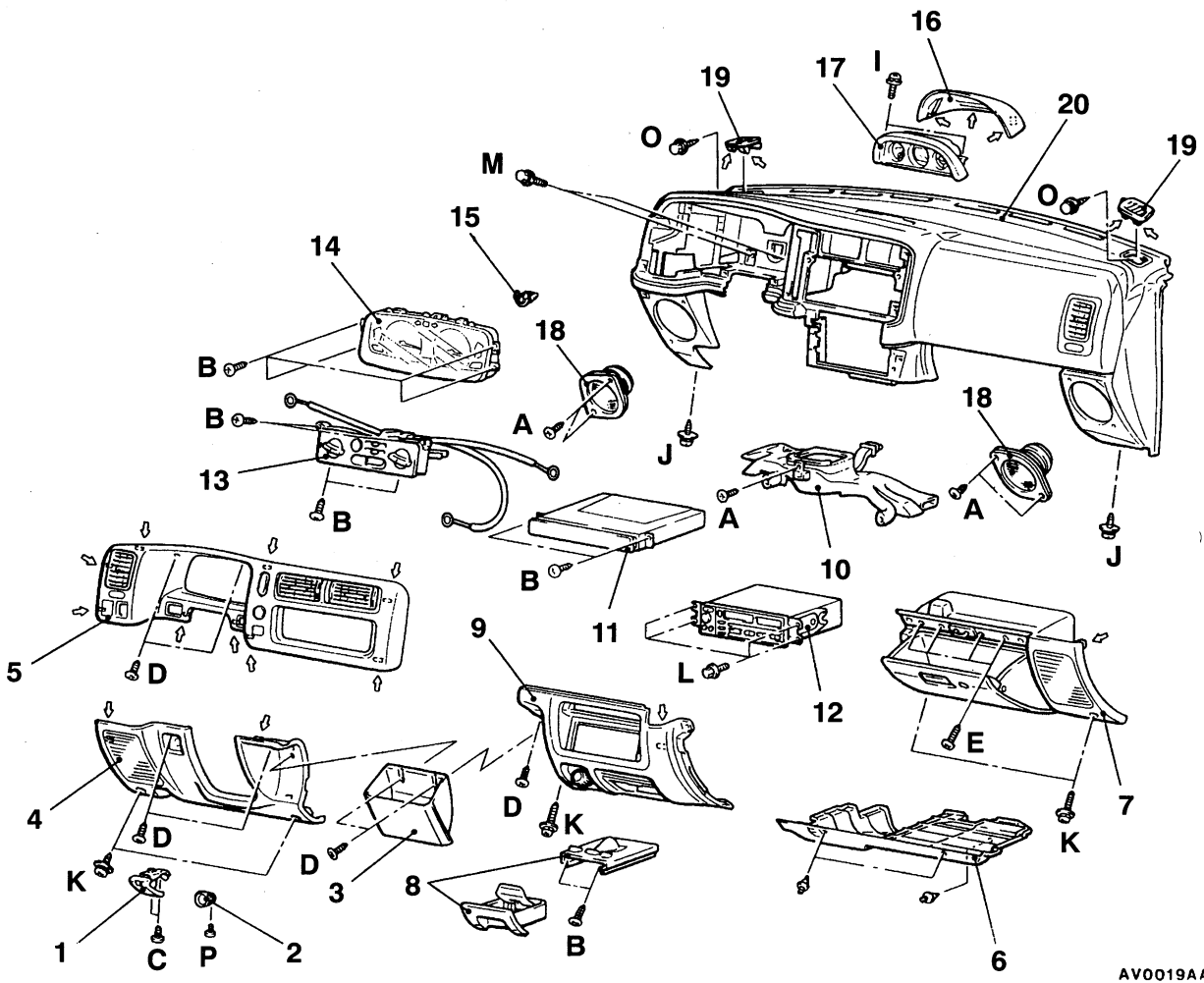
Name	Symbol	Size mm (D x L)	Colour	Shape
Tapping screw	A	5 x 12	-	 A00Z0010
	B	5 x 16	-	
	C	5 x 12	Black	 19X0639
	D	5 x 16		
	E	5 x 20		
	F	5 x 12	-	 B00Z0010
	G	5 x 16		
	H	5 x 16	Black	 D19N0001
Washer assembled screw	I	5 x 12	-	 C00Z0010
	J	5 x 16	-	
	K	5 x 20	Black	
Washer assembled bolt	L	6 x 8	-	 D00Z0010
	M	6 x 16		
	N	8 x 16		 F00Z0010
	O	6 x 16		
Machine screw	P	4 x 8	-	 J00Z0010

D = Thread diameter
L = Effective thread length

CAUTION: SRS
When removing and installing the instrument panel (vehicles equipped with SRS), do not let it bump against the SRS diagnosis unit.

Pre-removal and Post-installation Operation

- Floor Console Assembly Removal and Installation (Refer to P. 52A-7*.)
- Steering Wheel and Column Cover Removal and Installation (Refer to GROUP 37A*.)



AV0019AA

NOTE
←: Metal clip position

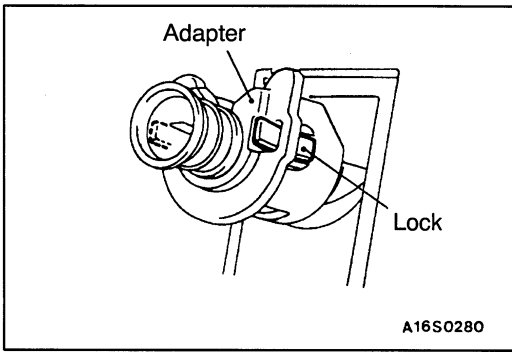
Removal steps

1. Hood lock release handle
2. Throttle cable knob
<Diesel-powered vehicles>
3. Under cover box
4. Driver side under cover
5. Meter bezel assembly
6. Under cover
7. Glove box assembly
8. Ashtray assembly
9. Center under cover
10. Foot duct
11. Cup holder assembly
12. Radio and tape player



13. Heater control assembly (Refer to GROUP 55*.)
14. Combination meter
15. Adapter
16. Multi-meter panel <4WD>
17. Multi-meter assembly <4WD>
18. Speaker
19. Side defroster grille
20. Instrument panel assembly

NOTE
*: Refer to '97 L200 Workshop Manual <Pub. No. PWTE96E1>.



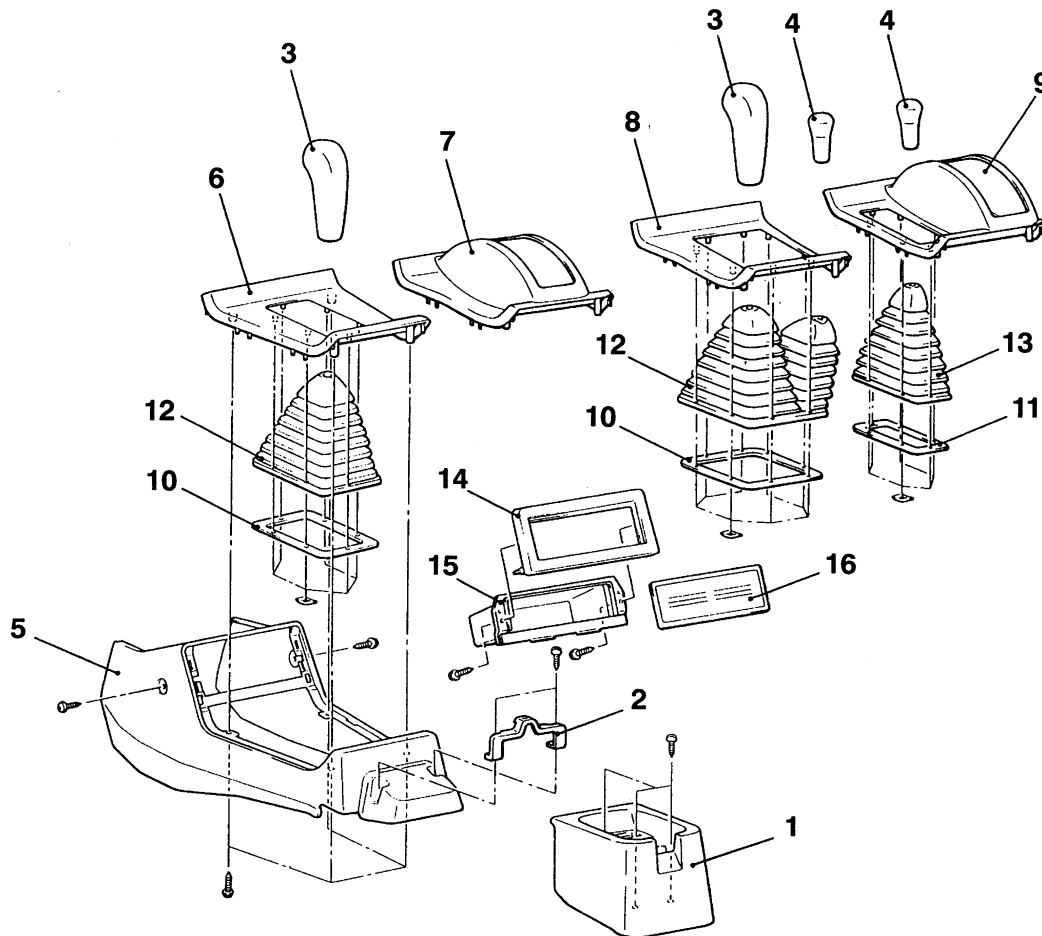
REMOVAL SERVICE POINT

◀A▶ ADAPTER REMOVAL

1. Remove the adapter lock from the instrument panel.
2. Pull the speedometer cable slightly into the passenger compartment, and remove the adapter.

FLOOR CONSOLE

REMOVAL AND INSTALLATION



BV0018AA

Removal steps

- | | |
|---|---|
| <ol style="list-style-type: none"> 1. Floor box 2. Floor box bracket 3. Transmission shift lever knob <M/T> 4. Transfer shift lever knob <4WD> 5. Front floor console assembly 6. Console panel A <2WD-M/T> 7. Console panel B <2WD-A/T> 8. Console panel C <4WD-M/T> 9. Console panel D <4WD-A/T> | <ol style="list-style-type: none"> 10. Shift lever boots reinforcement <M/T> 11. Transfer lever boots reinforcement <4WD-A/T> 12. Shift lever boots <M/T> 13. Transfer lever boots <4WD-A/T> 14. Console panel 15. Box <Vehicles without SRS> 16. Radio plug <Vehicles with SRS> |
|---|---|

GROUP 52A

INTERIOR

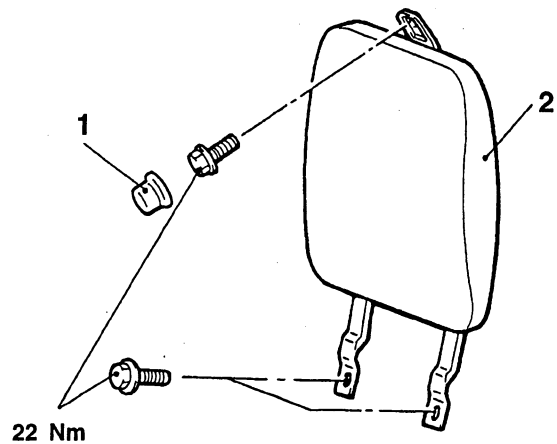
GENERAL

OUTLINE OF CHANGE

Headrests have been added for the rear seat on the club cab model. Therefore, service procedure has been added. <Optional>

REAR SEAT <CLUB CAB>

REMOVAL AND INSTALLATION



AV0650AA


Removal steps

- Seatback assembly
- 1. Cap
- 2. Headrest



SERVICE BULLETIN

QUALITY INFORMATION ANALYSIS
OVERSEAS SERVICE DEPT. MITSUBISHI MOTORS CORPORATION

SERVICE BULLETIN		No.: MSB-00E00-003	
		Date: 2000-05-30	<Model> <M/Y>
Subject: YEAR MODEL CHANGES FOR 2001 L200		(EC)L200(K60, K70)	00-10
Group: GENERAL		Draft No.: 00SY0022915	
INFORMATION/ CORRECTION	INTERNATIONAL CAR ADMINISTRATIO OFFICE	 T.NITTA - PROJECT LEADER AFTER SALES SERVICE & CS PROMOTION	
1. Description:			
This Service Bulletin informs you of the year model changes for the 2001 L200			
2. Applicable Manuals:			
Manual		Pub. No.	Language
2000 L200		PWTE96E1-D	(English)
Workshop Manual Chassis		PWTS96E1-D	(Spanish)
		PWTF96E1-D	(French)
		PWTG96E1-D	(German)
3. Details:			

L200

WORKSHOP MANUAL SUPPLEMENT

FOREWORD

This Manual outlines changes in servicing procedures related to the chassis including vehicle inspections, adjustments and improvements in the newly equipped models.

TECHNICAL INFORMATION MANUAL

PYTE96E1

WORKSHOP MANUAL ENGINE GROUP

PWEE_____

(looseleaf edition)

CHASSIS GROUP

PWTE96E1

PWTE96E1-B

(SUPPLEMENT)

PWTE96E1-C

(SUPPLEMENT)

PWTE96E1-D

(SUPPLEMENT)

ELECTRICAL WIRING

PHTE96E1

PHTE96E1-A

PHTE96E1-B

PHTE96E1-D

PHTE96E1-D

(SUPPLEMENT)

BODY REPAIR MANUAL

PBTE96E1

PARTS CATALOGUE

T603B00□D□

General	00
Engine Lubrication	12
Body	42
Interior and Supplemental Restraint System (SRS)	52
Chassis Electrical	54

All information, illustrations and product descriptions contained in this manual are current as at the time of publication. We, however, reserve the right to make changes at any time without prior notice or obligation.

 **MITSUBISHI MOTORS CORPORATION**

© Mitsubishi Motors Corporation

2000

**GROUP 00
GENERAL**

**VEHICLE IDENTIFICATION
MODELS**

Model Code		Engine model	Transmission model	Fuel supply system
K62T	JERDEL6	4G63-SOHC (1,997ml)	R4AW2 (2WD-4A/T	MPI
	ENDEL6		R5M21 (2WD-5M/T)	
K64T	ENDL6	4D56 (2,477ml)	R5M21 (2WD-M/T)	Fuel injection
	ENDR6			
	CENDL6			
	JENDL6			
K75T	CENDEL6	4G64-SOHC (2,351 ml)	V5M21 (4WD-5M/T)	MPI
	GJENXEL6			
K74T	ENDFL6	4D56- Turbocharger with intercooler (2,477ml)	V5MT1 (4WD-5M/T	Fuel injection
	ENDFR6			
	JERDFL6		V4AW2 (AWD-4A/T	
	GJERXFL6		V5MT1 (4WD-5M/T	
	GJENXFL6			
	GJENXFR6			
	CENDFL6			
	GCENXFL6			
	JENDFL6			
	JENDFR6			
	JENHFL6			

CHASSIS NUMBER

M	M	B	J	N	K	7	4	O	1	A	0	0	0	0	0	1
1	2	3	4	5	6	7	8	9	10	11	12					

Y0015AA

No.	Items		Contents
1	Continent	M	ASIA
2	Country	M	THAILAND
3	Register code	B	Follow register
4	Body shape	C	Club cab
		J	Double cab
		O	Single cab
		Y	Single cab without rear body
		Z	Double cab without rear body
5	Transmission type	N	5-speed manual transmission
		R	4-speed automatic transmission
6	Vehicle line	K	Mitsubishi L200
7	Body type	6	Long wheelbase
		7	4WD, Long wheelbase
8	Engine type	2	4G63: 1,997ml petrol engine
		4	4D56:2,477ml diesel engine
		5	4G64: 2,351 ml petrol engine
9	Internal production control code	A	A, B, C...etc 0 (zero): No meaning
10	Model year	1*	2001
11	Plant	A	A, C: LARDKRABANG factory D, F: LAEMCHABANG factory
12	Serial number	-	-

NOTE

*: Indicates changes.

NOTES

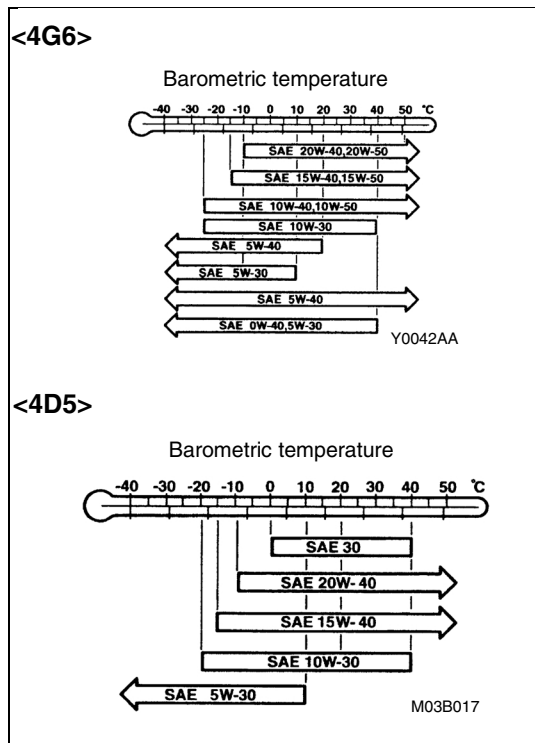
GROUP 12

ENGINE LUBRICATION

GENERAL

OUTLINE OF CHANGES

- A quality of the engine oil has been changed.



ON-VEHICLE SERVICE

specified engine oil (ACEA and API classification):

<4G6> ACEA A1, A2, A3/API SG or higher

<4D5> ACEA B1, B2, B3, B4/API CD or higher

NOTES

**GROUP 42
BODY**

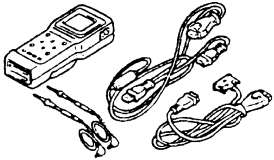
GENERAL

OUTLINE OF CHANGES

The following service procedures have been added due to the introduction of the keyless entry system as an optional equipment <GLS>.

KEYLESS ENTRY SYSTEM

SPECIAL TOOL

Tool	Number	Name	Use
	MB991502	MUT-II sub assembly	Encrypted codes recording

TROUBLESHOOTING

DIAGNOSIS FUNCTION

INPUT SIGNAL INSPECTION PROCEDURE

1. Connect the MUT-II to the diagnosis connector to check input signal. (Refer to '97 L200 Workshop Manual GROUP 00 – How to Use Troubleshooting/Inspection Service Points.)
2. The following input signals can be checked:
 - Ignition switch (IG1, ACC)
 - Driver's door switch
 - Every door switch
 - Key reminder switch
 - Driver's door lock actuator
 - Keyless entry transmitter (LOCK, UNLOCK)

NOTE

If the MUT-II cannot check all the input signals, the diagnosis circuit may be defective.

ETACS FUNCTION ADJUSTMENT PROCEDURE

The following functions can be adjusted by operating input switches, The adjustments will be stored in th ECU memory even after a battery cable is disconnected:

- Switching of keyless entry answerback function (From activation to deactivation, or vice versa)
- Initialisation of the above function (From deactivation)

1. Entry conditions to the adjustment mode

The ETACS-ECU sounds a buzzer once when all of the following conditions are satisfied, and then enters the adjustment mode:

- Diagnosis control: ON (Connect the MUT-II.)
- Key reminder switch: OFF
- Ignition switch: LOCK (OFF)
- Door switch: OFF (Close the door)
- If all of the conditions above are satisfied, the tailgate switch will be turned in for more than 10 seconds.

2. Exit conditions from the adjustment mode

The ETACS-ECU cancels the adjustment mode when any of the following conditions is satisfied:

- Diagnosis control: OFF (Disconnect the MUT-II>)
- Key reminder switch: ON (Pull out the ignition key.)
- Ignition switch: Other than LOCK (OFF)
- Door switch: ON (Open the door)
- After the ETACS_ECU has entered the adjustment mode, no adjustment is made within 3 minutes (If any adjustment is made within 3 minutes, the ETACS-ECU monitors an adjustment operation for other 3 minutes.
- Other warning buzzer(s) sounds

3. Adjustment of functions

Function	Adjustment procedure
Keyless entry answerback function	<p>When the transmitter lock switch is turned on twice continuously within 2 seconds, the lock answerback function toggles on and off.</p> <ul style="list-style-type: none"> • If the function toggles on, the buzzer sounds once (default condition). • If the function toggles off, the buzzer sounds twice, <p>When the transmitter unlock switch is turned on twice continuously within 2 seconds, the unlock answerback function toggles on and off.</p> <ul style="list-style-type: none"> • If the function toggles on, the buzzer sounds once (default condition). • If the function toggles off, the buzzer sounds twice,
Initialisation of all the ETACS functions (From deactivation to activation)	<p>When the tailgate switch remains on for more than 20 seconds, the buzzer sounds twice and the answer-back function of the keyless entry system is initialised.</p> <p>The buzzer will sound in 10 seconds (indicating that the ETACS-ECU enters the adjustment mode), but the washer switch must remain off for 20 seconds in order to initialise all the functions.</p> <p>If the tailgate switch remains on for more than 20 seconds without entering the adjustment mode, the system enters the adjustment mode in 10 seconds, but does not initialise all of the functions.</p>

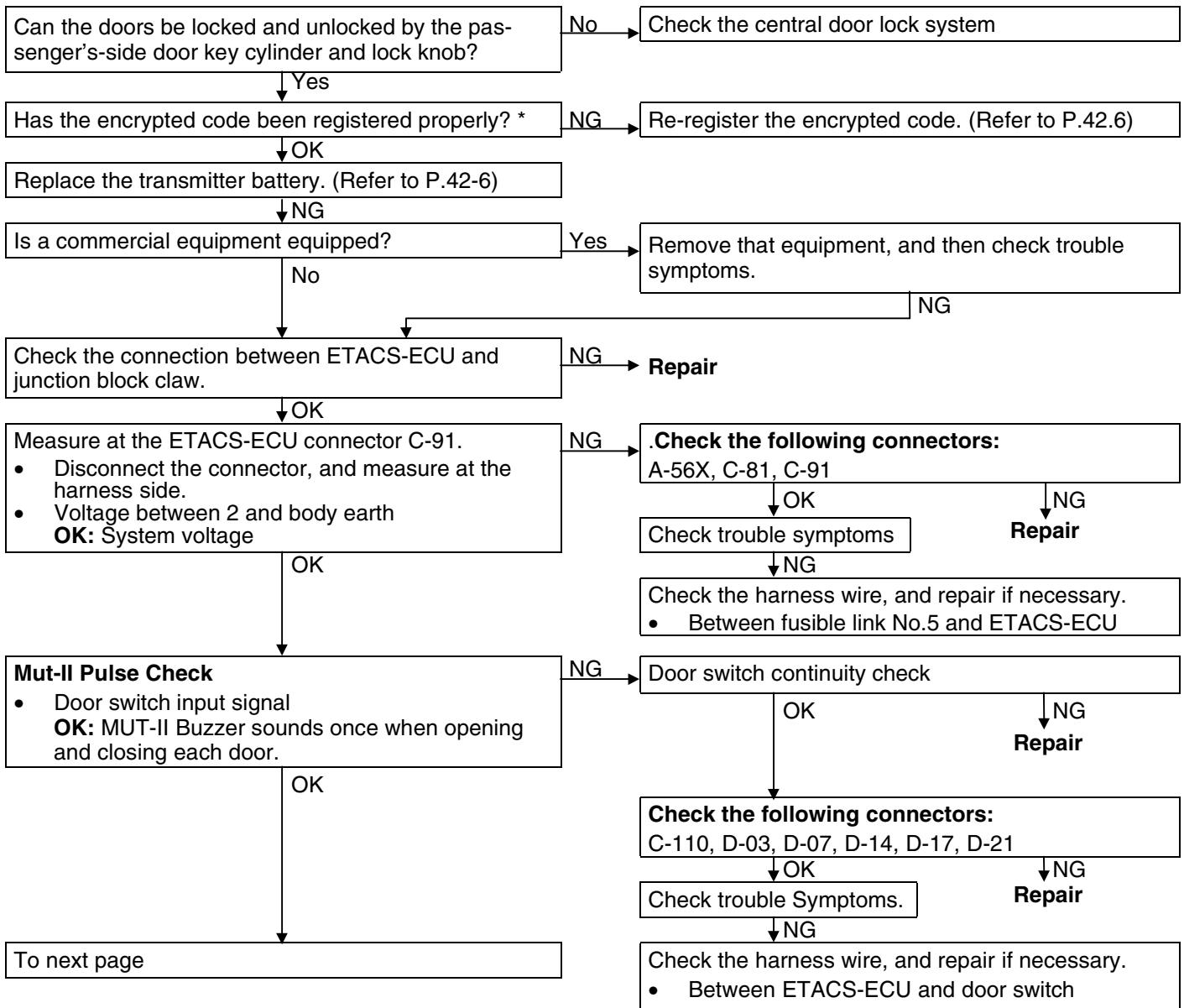
INSPECTION CHART FOR TROUBLE SYMPTOMS

Trouble symptom	Inspection procedure No.	Reference page
None of the doors can be locked or unlocked using the transmitter.	1	42-3
All of the doors can be locked and unlocked using the transmitter, but the room lamp or turn-signal lamp does not flash or illuminate. (However, the room lamp operates normally when the doors are opened and closed.)	2	42-4
Encrypted codes cannot be registered.	3	42-5

INSPECTION PROCEDURE FOR TROUBLE SYMPTOMS

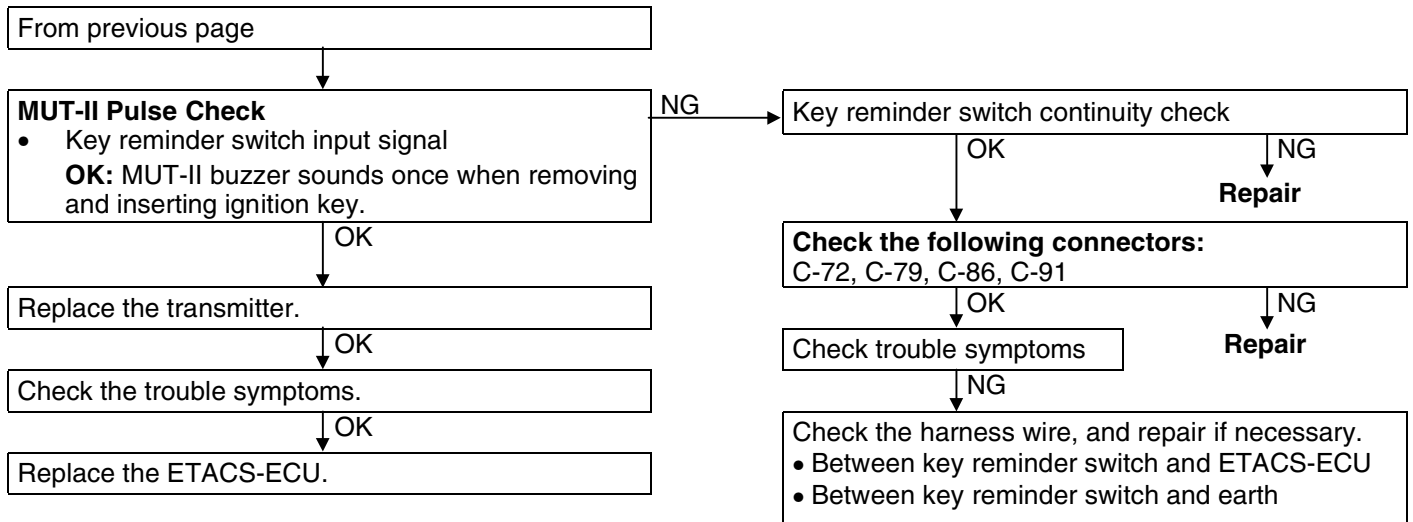
INSPECTION PROCEDURE 1

None of the doors can be locked or unlocked using the transmitter.	Probable cause
The cause may be a malfunction of the transmitter or ETACS-ECU, defective connection between ETACS-ECU and junction block, defective power supply voltage to ETACS-ECU input line due to commercial equipment, or the lock and unlock signals are not being sent to the ETACS-ECU.	<ul style="list-style-type: none"> • Malfunction of transmitter • Malfunction of ETACS-ECU • Malfunction of key reminder switch • Malfunction of wiring harness or connector • Malfunction of door switch • Defective connection between ETACS-ECU and junction block • Defective power supply voltage to ETACS-ECU input line due to commercial equipment



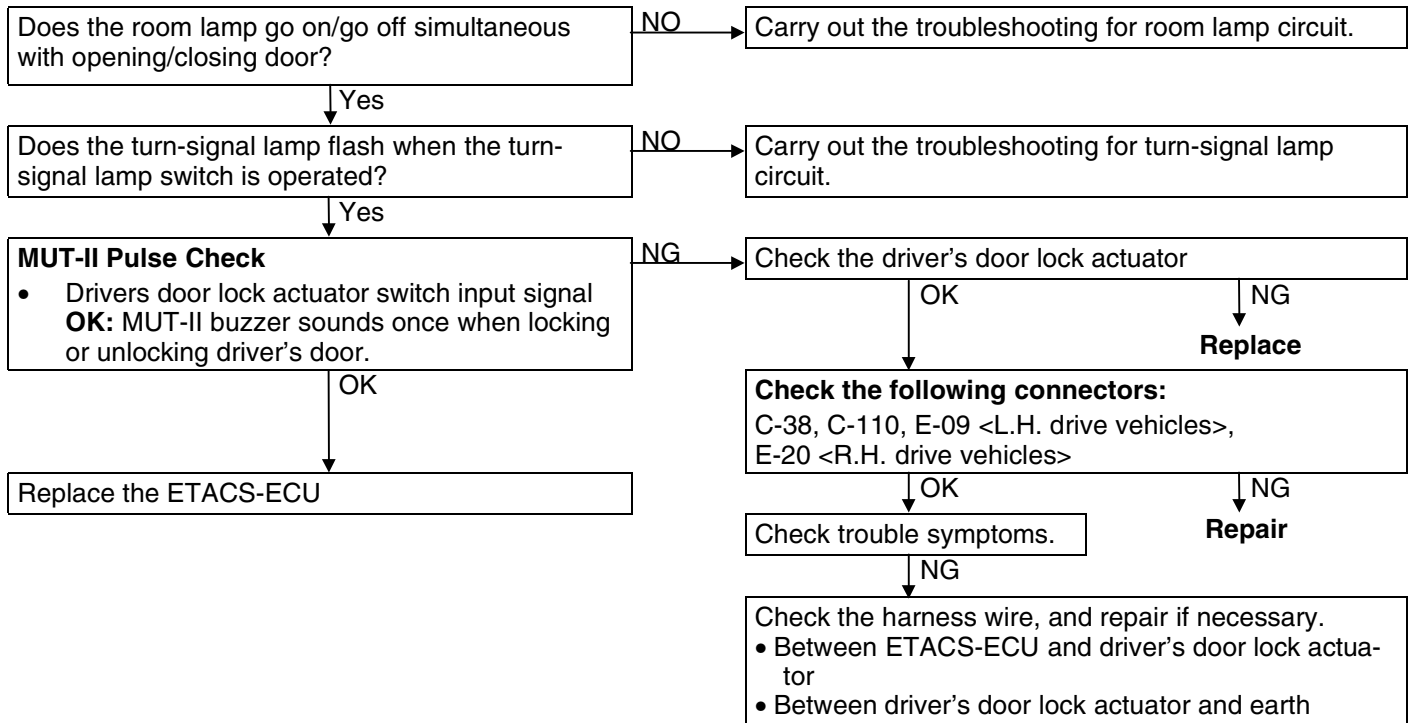
NOTE

*: This should be done if a transmitter, receiver or ETACS-ECU has been replaced, and if a secret cod has not been registered properly



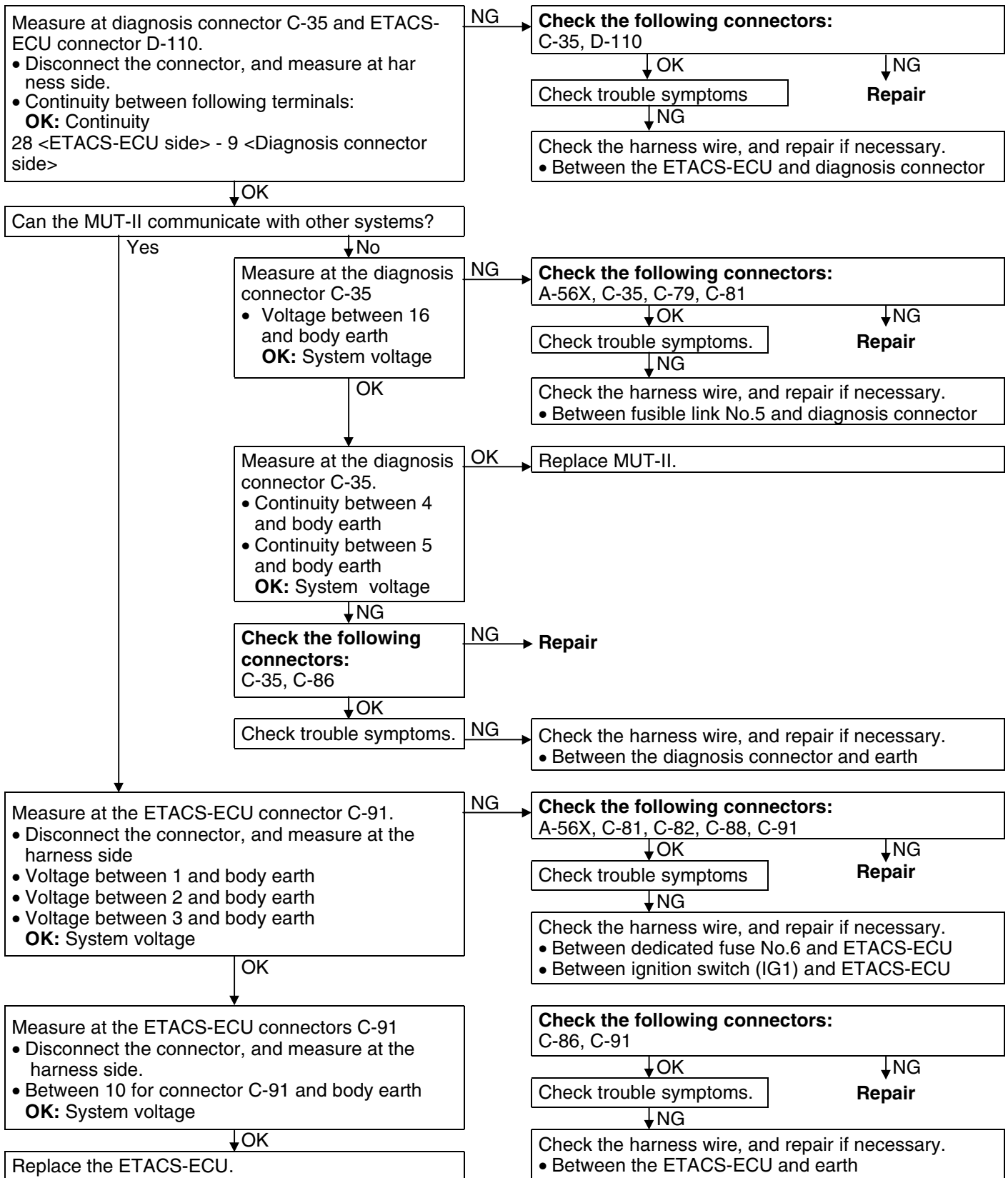
INSPECTION PROCEDURE 2

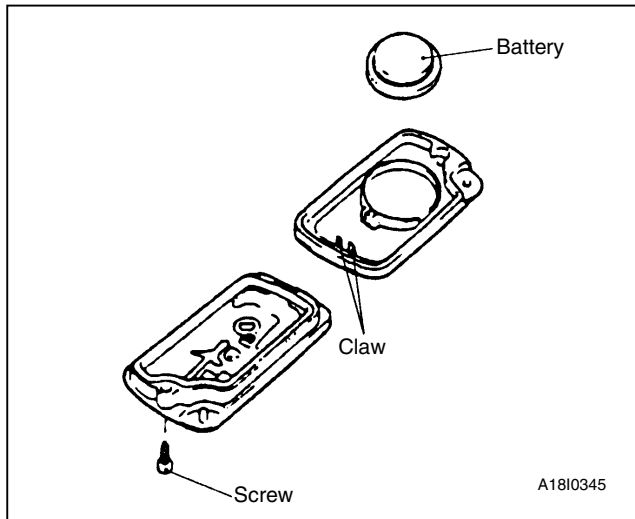
All of the doors can be locked and unlocked using th transmitter, but the room lamp or turn-signal lamp does not flash or illuminate. (However, the room lamp operates normally when the doors are opened and closed.)	Probable cause
<p>If neither room lamp nor turn-signal lamp flash/illuminate, the cause may be a malfunction of the ETACS-ECU or driver’s-side door lock actuator.</p> <p>If either room lamp or turn-signal lamp does not flash/illuminate, the cause may be a malfunction of the room lamp circuit or turn-signal lamp.</p>	<ul style="list-style-type: none"> • Malfunction of ETACS-ECU • Malfunction of driver’s door lock actuator • Burnt turn-signal lamp bulb • Malfunction of connector or wiring harness



INSPECTION PROCEDURE 3

Encrypted codes cannot be registered	Probable cause
The cause may be a malfunction of the diagnosis connector, ETACS-ECU or diagnosis output circuit.	<ul style="list-style-type: none"> • Malfunction of MUT-II • Malfunction of connector or wiring harness • Malfunction of ETACS-ECU





ON – VEHICLE SERVICE HOW TO REPLACE A BATTERY OF THE TRANSMITTER

1. Remove the set screw to remove the battery from the transmitter.

Install a battery with its (+) side face-down.

Battery required for replacement:

Coin type battery CR2032

3. Insert the claw, and then assemble the transmitter.

Caution

Do not let water or dust stick to the inside of the transmitter when it is open. Also, do not touch the precision electronic device.

4. Check to see if the keyless entry system operates.

SECRET CODE REGISTRATION METHOD

Each individual secret code is registered inside the transmitter, and so it is necessary to register these codes with the EEPROM inside the ETACS-ECU in the following cases.

- When either the transmitter or ETACS-ECU in the following cases.
- If a second transmitter is to be used;
- If it appears that a problem is occurring because of faulty registration of a code.

A maximum of two different codes can be stored in the memory area of the EEPROM (two different transmitters can be used).

When the code for the first transmitter is registered, the previously- registered codes for two transmitters are cleared.

Therefore, if you are using more than two or are adding a second transmitter, the codes for all the transmitters must be registered at the same time.

1. Check that the doors lock normally when the key is used.

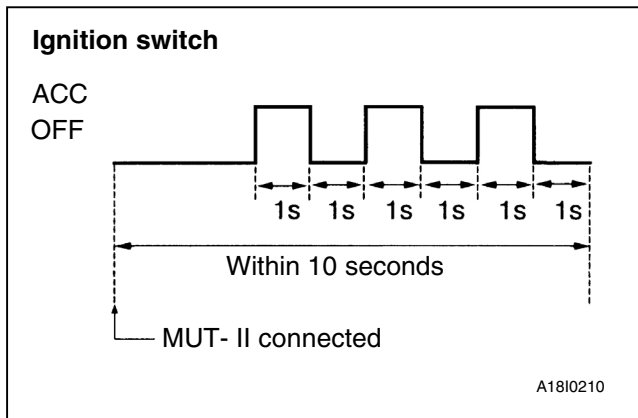
2. Connect the MUT-II to the diagnosis connector

NOTE

This will connect terminal (1) of the diagnosis connector to earth, and the system will be in secret code registration standby mode.

Caution

Always turn the ignition switch to OFF before connecting and disconnecting the MUT-II



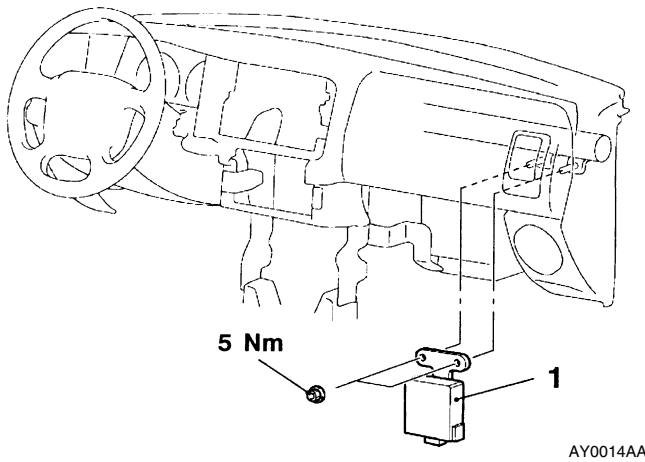
3. Within 10 seconds after connecting the MUT-II, turn the ignition switch to ACC ON for 1 second and then to OFF for 1 second; repeat this procedure three times.

NOTE

The doors will lock and unlock once at this time and the system will switch to registration mode.

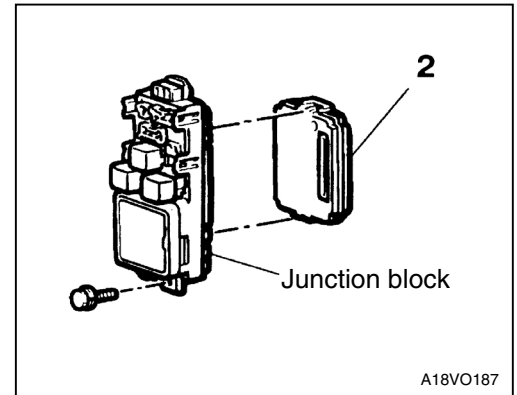
4. Press the lock switch or unlock switch; of the transmitter switch, and then press it two times within 10 seconds of the first press. This will register the code.
5. After registration is completed, the doors will be automatically locked and unlocked once.
6. If you are using two transmitters or have added a second transmitter, the same registration procedure should be carried out for the second transmitter, and it should be carried out within one minute after registration of the code for the first transmitter has been completed. After the second registration is completed, the doors will be automatically locked and unlocked once.
7. Registration mode will be terminated under the following conditions.
 - When the secret codes for two transmitters have been registered;
 - When one minute has passed after registration mode started;
 - If the MUT-II is disconnected (earth is released);
 - If the ignition switch is turned to ON;
8. After registration mode has been completed, carry out the followings to make sure that the keyless entry system operates.
 - Pull the ignition key out.
 - Close the all doors.

KEYLESS ENTRY SYSTEM REMOVAL AND INSTALLATION



Keyless entry receiver-ECU removal steps

- Glove box assembly (Refer to GROUP 52A*.)
1. Keyless entry receiver-ECU



ETACS-ECU removal

2. ETACS-ECU

NOTE

*: Refer to '97 L200 Workshop Manual <Pub. No. PWTE96E1>

**GROUP 52A
INTERIOR**

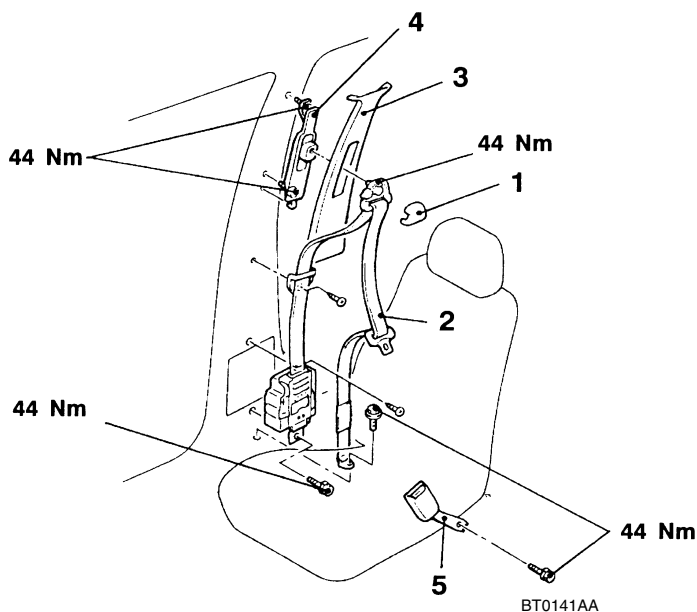
GENERAL

OUTLINE OF CHANGE

- The following service procedures have been added due to the introduction of the adjustable seat belt anchor.
- On dual cab models, three-point ELR/child seat fixing mechanism (ALR) seat belts have been added for rear seat as an optional equipment. The service procedures are the same as previous one.

FRONT SEAT BELT

REMOVAL AND INSTALLATION



Outer seat belt removal steps

- Center pillar trim, lower or quarter trim, lower (refer to P.52A*.)
1. Sash guide cover
 2. Outer seat belt
 3. Center pillar trim, upper or quarter trim, upper (refer to P.52A*.)
 4. Adjustable seat belt anchor.

Inner seat belt removal steps

- Front seat (refer to P.52A*.)
5. Inner seat belt

NOTE

*: Refer to '97 L200 Workshop Manual <Pub. No. PWTE96E1>.

NOTES

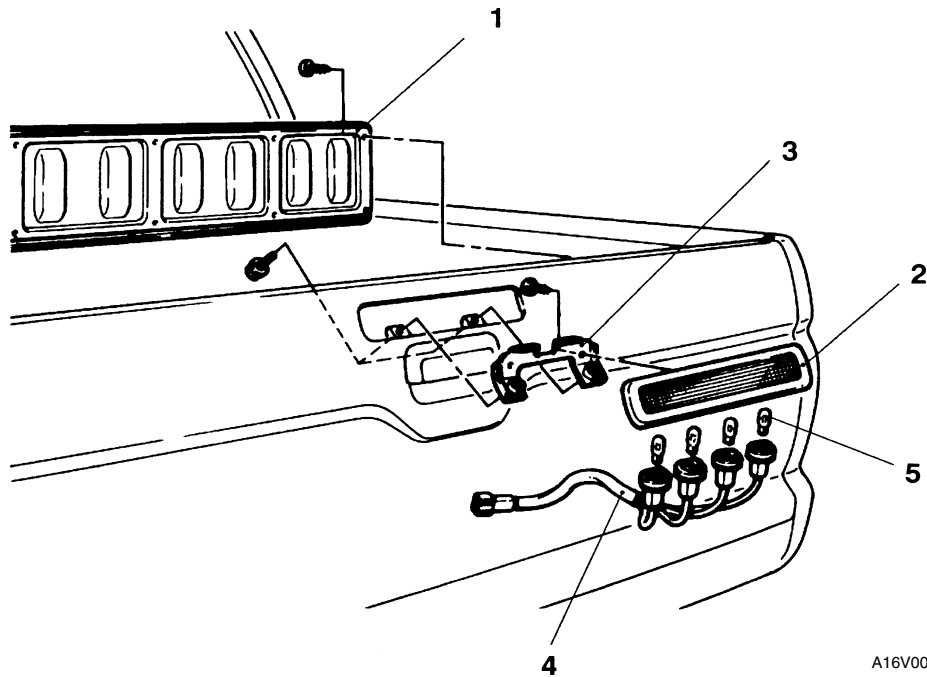
GROUP 54 CHASSIS ELECTRICAL

GENERAL

OUTLINE IF CHANGES

- The following procedure has been added due to the addition of the high-stop lamp <4WD>.

HIGH-MOUNTED STOP LAMP REMOVAL AND INSTALLATION



A16V0088

Removal steps

1. Rear gate panel
2. High mounted stop lamp
3. Lamp bracket
4. Bulb socket assembly
5. Bulb