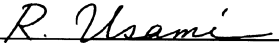




SERVICE BULLETIN

QUALITY INFORMATION ANALYSIS
OVERSEAS SERVICE DEPT. MITSUBISHI MOTORS CORPORATION

SERVICE BULLETIN		No.: MSB-97E22-501	
		Date: 1998-03-31	<Model> <M/Y>
Subject: CORRECTION TO V5M31 TRANSMISSION WORKSHOP MANUAL (DELETION OF OIL GUIDE)		(EC,EXP) PAJERO (V10,V20,V30V40)	
Group: MANUAL TRANSAXLE	Draftno: 97-MT-502		
CORRECTION	OVERSEAS SERVICE DEPT	 R. USAMI - MANAGER QUALITY INFORMATION ANALYSIS	


1. Description:

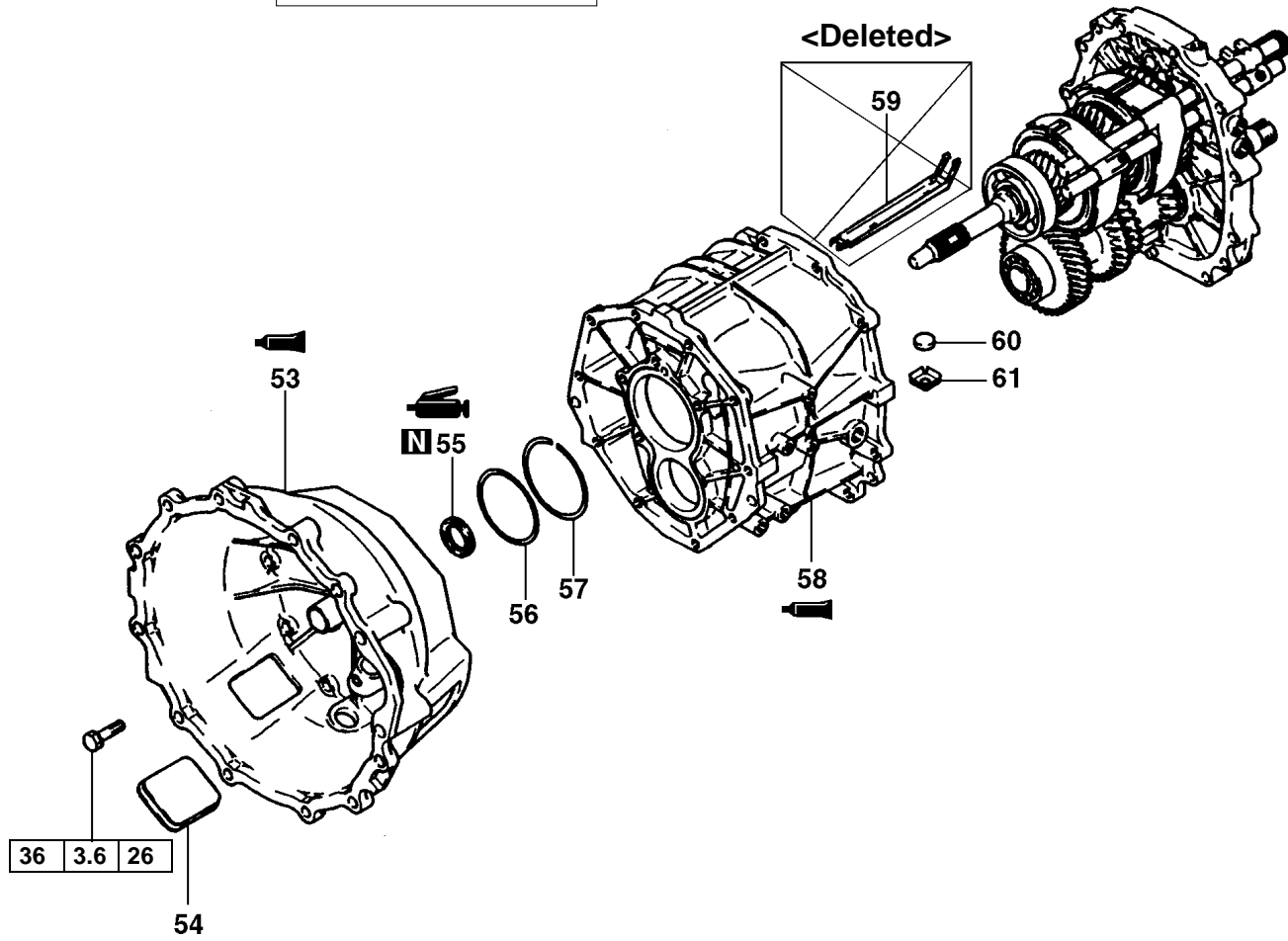
This Service Bulletin informs you of correction to the following Workshop Manual (of deletion of the oil guide).

2. Applicable Manuals:

Manual	Pub. No.	Language	Page(s)
TRANSMISSION Workshop Manual	PWEE8914	(English)	22C-3-4,
	PWES8915	(Spanish)	22C-3-5c,
	PWEF8916	(French)	22C-3-9
	PWEG8917	(German)	
	PWED8918	(Dutch)	
	PWEW8919	(Swedish)	

3. Details:


 Lubricate all internal parts with gear oil during reassembly.

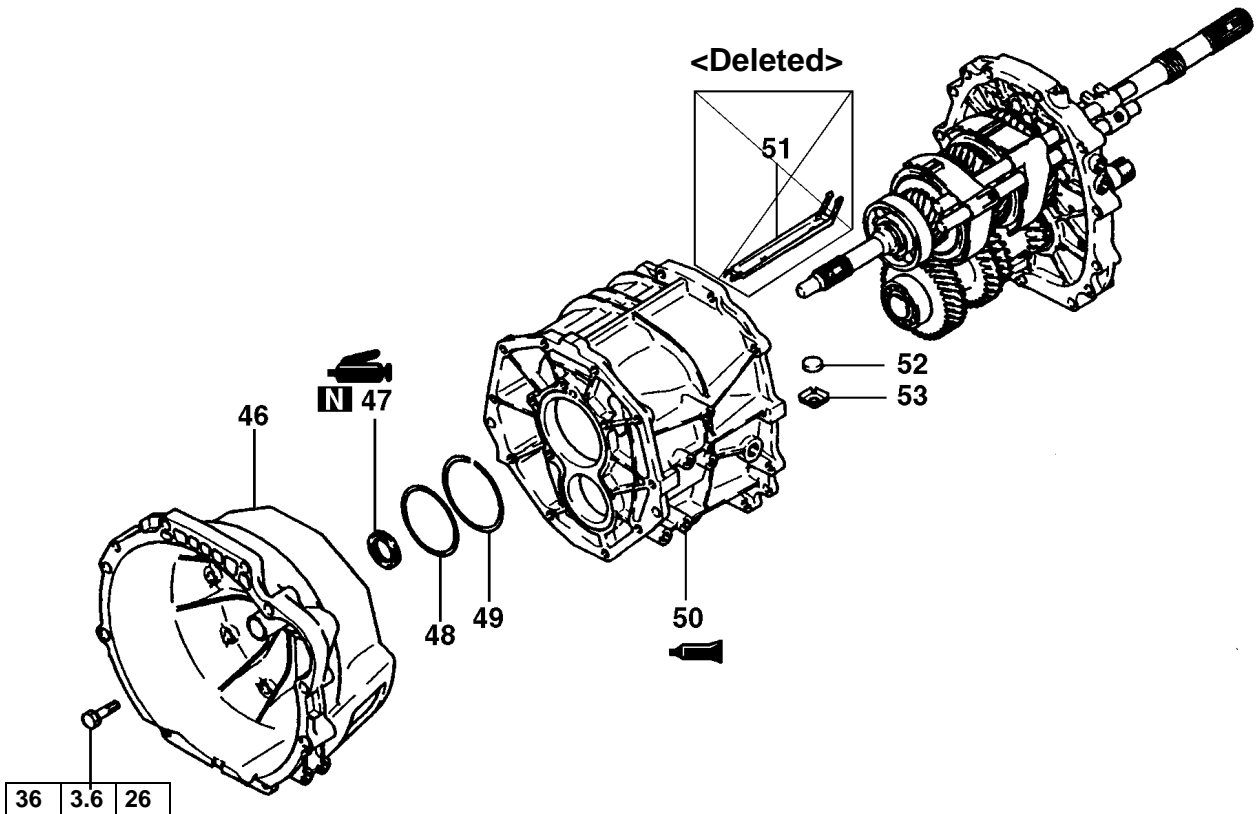


Disassembly steps

- I← 53. Clutch housing
- 54. Inspection hole cover
- H← 55. Oil seal
- G← 56. Spacer
- 57. Snap ring
- F← 58. Transmission case
- ~~→E← 59. Oil guide~~
- D← 60. Magnet
- D← 61. Magnet holder

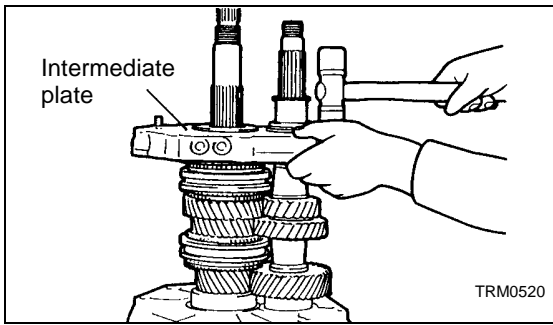
<Deleted>

 Lubricate all internal parts with gear oil during reassembly.



Disassembly steps

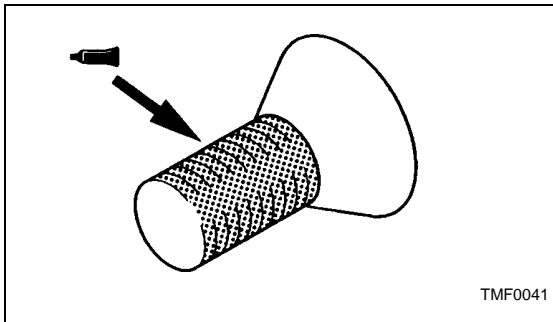
- I← 46. Clutch housing
- H← 47. Oil seal
- G← 48. Spacer
- 49. Snap ring
- F← 50. Transmission case
- ~~→E← 51. Oil guide~~
- D← 52. Magnet
- D← 53. Magnet holder



(2) Using a plastic hammer, install the intermediate plate.

NOTE

Push the intermediate plate until the snap ring grooves for the main shaft and countershaft cluster gear bearings come out of the rear bearing retainer mounting surface

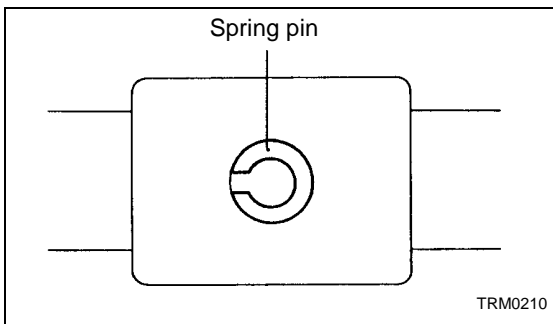


→B← REAR BEARING RETAINER INSTALLATION

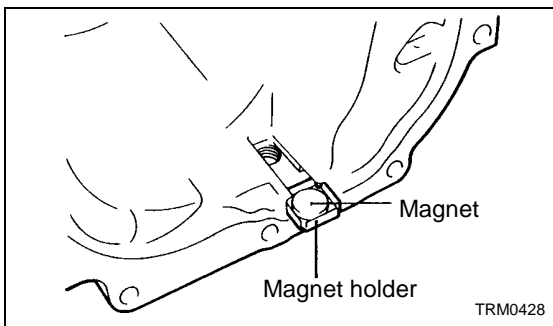
(1) The rear bearing retainer mounting bolt is a precoated one. When it is to be reused, apply a sealant to the bolt beforehand.

Specified sealant:

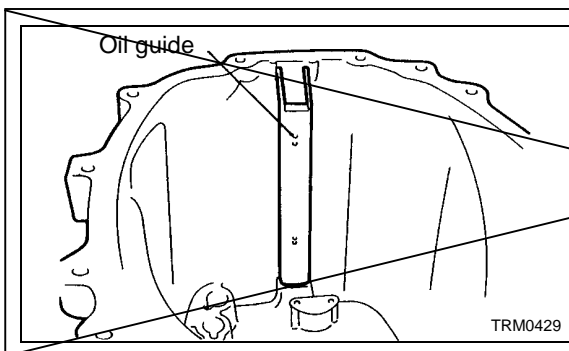
3M STUD Locking No. 4170 or equivalent



→C← SPRING PIN INSTALLATION



→D← MAGNET HOLDER / MAGNET INSTALLATION



→E← OIL GUIDE INSTALLATION

<Deleted>