
CLUTCH

CLUTCH

CONTENTS

21109000152

GENERAL INFORMATION	2	CLUTCH PEDAL	4
SERVICE SPECIFICATIONS	2	CLUTCH CONTROL	5
LUBRICANTS	2	Clutch Master Cylinder	6
ON-VEHICLE SERVICE	2		
Clutch Pedal Inspection and Adjustment	2		
Bleeding	3		



GENERAL INFORMATION

21100010093

The clutch is a dry single-disc, diaphragm type; hydraulic pressure is used for the clutch control.

SERVICE SPECIFICATIONS

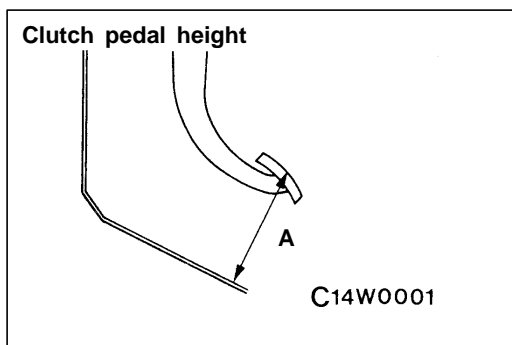
21100030136

Items	Standard value
Clutch pedal height mm	176 – 181
Clutch pedal clevis pin play mm	1 – 3
Clutch pedal free play mm	6 – 13
Distance between the clutch pedal and the toeboard when the clutch is disengaged mm	56 or more

LUBRICANTS

21100040078

Items	Specified lubricants	Quantity
Clutch fluid	Brake fluid DOT 3 or DOT 4	As required
Push rod assembly	Rubber grease	
Boot		
Release cylinder push rod	MITSUBISHI genuine grease Part No. 0101011	

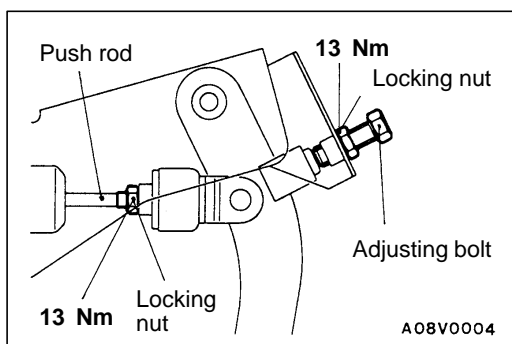
**ON-VEHICLE SERVICE**

21100090127

CLUTCH PEDAL INSPECTION AND ADJUSTMENT

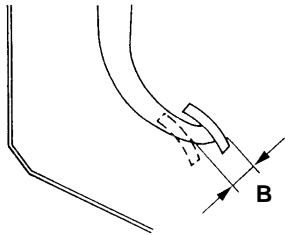
1. Turn up the carpet, etc. under the clutch pedal.
2. Measure the clutch pedal height.

Standard value (A): 176 – 181 mm



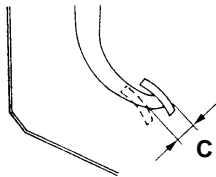
3. If the height of the clutch pedal is outside the standard value, loosen the lock nut and adjust the pedal height to the standard value using the adjusting bolt or push rod.

Clutch pedal clevis pin play



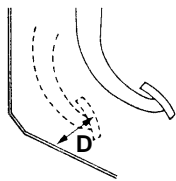
A14W0002

Clutch pedal free play



14W0002

Distance between the clutch pedal and the toeboard when the clutch is disengaged

14W0003
00003373

4. Measure the clutch pedal play.
Standard value (B): 1 – 3 mm
5. If the clutch pedal play is not within the standard value, loosen the locking nut and move the push rod to adjust.

Caution

Do not push in the master cylinder push rod at this time.

6. After completing the adjustments, confirm that the clutch pedal free play (measured at the face of the pedal pad) and the distance between the clutch pedal (the face of the pedal pad) and the toeboard when the clutch is disengaged are within the standard value ranges.

Standard value (C): 6 – 13 mm

Standard value (D): 56 mm or more

7. If the clutch pedal free play and the distance between the clutch pedal and the toeboard when the clutch is disengaged do not agree with the standard values, it is probably the result of either air in the hydraulic system or a faulty master cylinder or clutch. Bleed the air, or disassembly and inspect the master cylinder or clutch.
8. Turn back the carpet, etc.

BLEEDING

21100140099

Specified fluid: Brake fluid DOT 3 or DOT 4

Caution

Use the specified brake fluid. Avoid using a mixture of the specified fluid and other fluid.

CLUTCH PEDAL

REMOVAL AND INSTALLATION

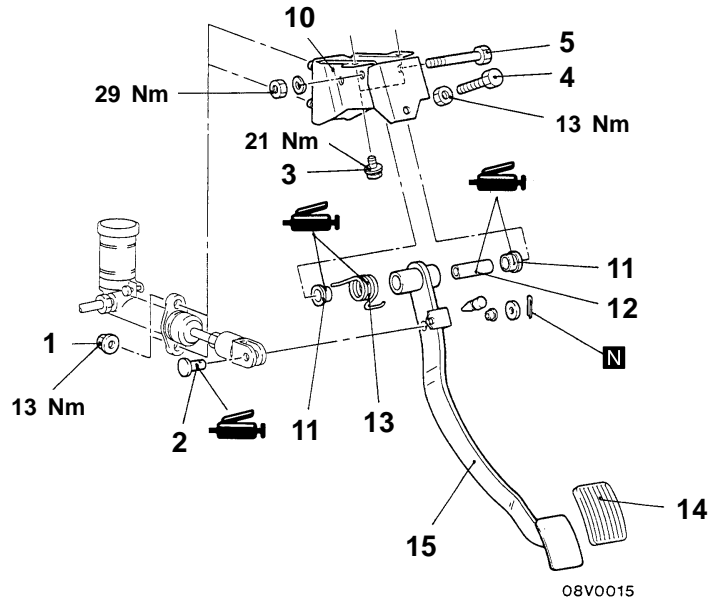
Pre-removal Operation

- Removal of Relay Box in Passenger Compartment <L.H. drive vehicles>

Post-installation Operation

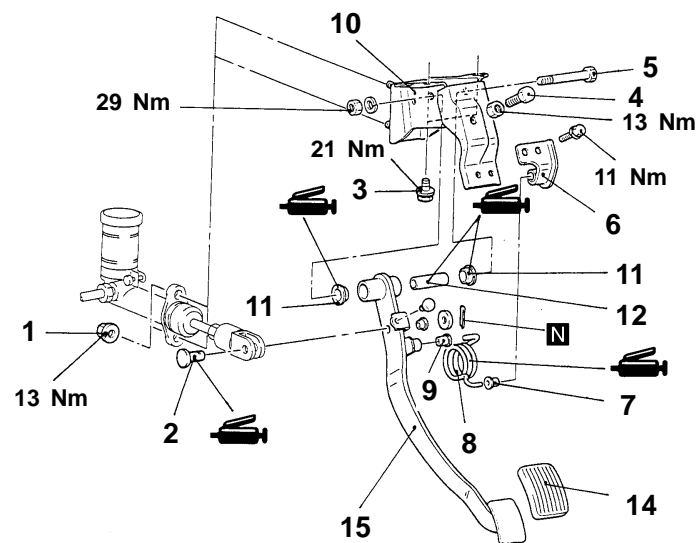
- Clutch Pedal Adjustment (Refer to P.21-2.)
- Installation of Relay Box in Passenger Compartment <L.H. drive vehicles>

<2WD, 4WD (4G64)>



08V0015

<4WD (4D56)>

08V0017
00004924**Removal steps**

- | | |
|--|---------------------------|
| 1. Clutch master cylinder installation nut | 9. Bushing |
| 2. Clevis pin | 10. Clutch support member |
| 3. Clutch support member mounting bolt | 11. Bushing |
| 4. Adjusting bolt | 12. Spacer |
| 5. Clutch pedal mounting bolt | 13. Pedal return spring |
| 6. Turnover spring bracket | 14. Pedal pad |
| 7. Bushing | 15. Clutch pedal |
| 8. Turnover spring | |

CLUTCH CONTROL

REMOVAL AND INSTALLATION

Pre-removal Operation

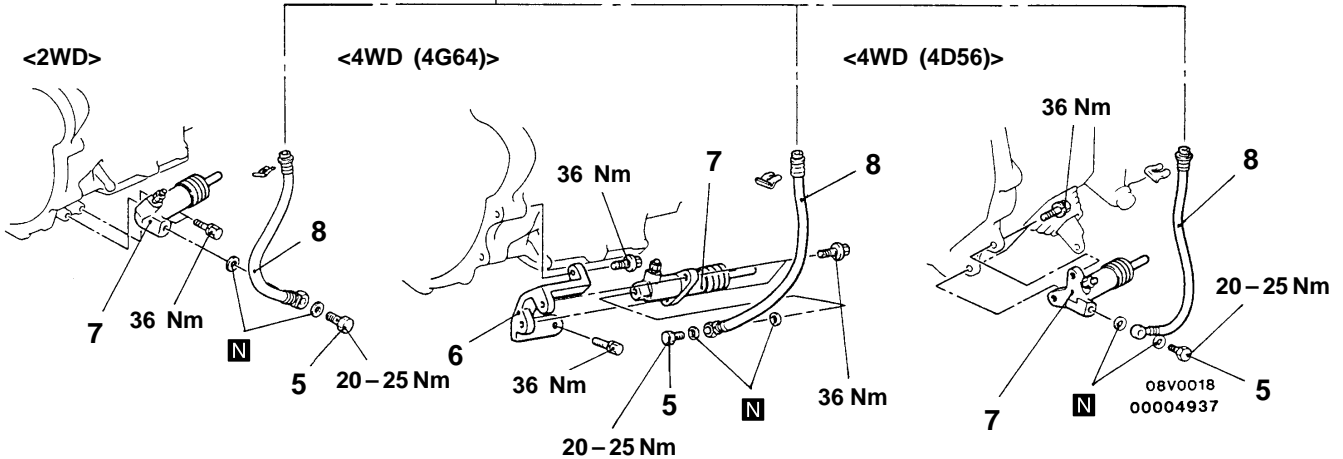
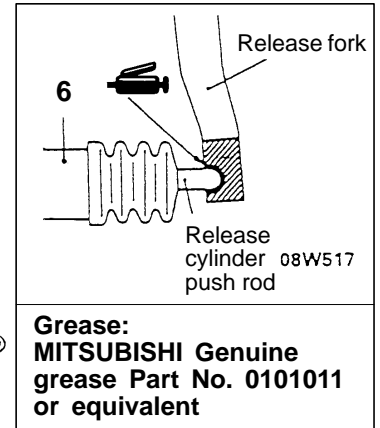
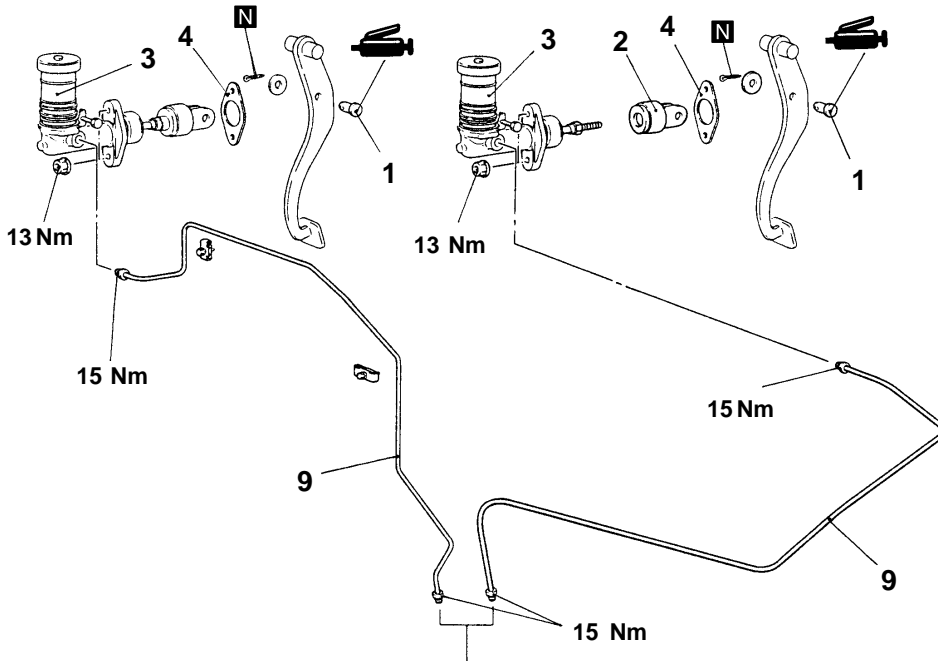
- Clutch Fluid Draining

Post-installation Operation

- Clutch Fluid Supplying
- Clutch Fluid Bleeding (Refer to P. 21-3.)
- Clutch Pedal Adjustment (Refer to P. 21-2.)

R.H. drive vehicles

L.H. drive vehicles



Clutch master cylinder removal steps

- Hydraulic unit <L.H. drive diesel-powered vehicles with ABS>
1. Clevis pin
 2. Push rod damper <L.H. drive diesel-powered vehicles with ABS>
 3. Clutch master cylinder
 4. Sealer

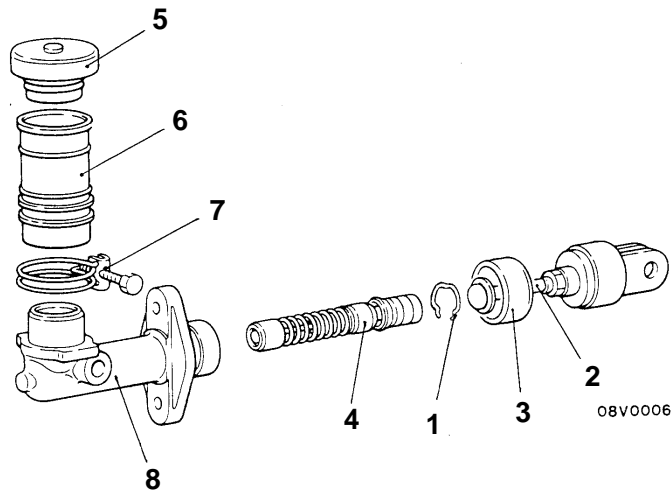
Clutch release cylinder removal steps

5. Eye bolt
6. Bracket <4WD (4G64)>
7. Clutch release cylinder

Clutch line removal steps

5. Eye bolt
8. Clutch hose
9. Clutch tube

**DISASSEMBLY AND REASSEMBLY
CLUTCH MASTER CYLINDER**



Clutch fluid:
Brake fluid DOT 3 or DOT 4

Grease: Rubber grease

Piston repair kit

00004938

Disassembly steps

- | | |
|--|--|
| <ol style="list-style-type: none"> 1. Piston stop ring 2. Damper and push rod 3. Boot 4. Piston assembly | <ol style="list-style-type: none"> 5. Reservoir cap 6. Reservoir 7. Reservoir band 8. Master cylinder body |
|--|--|

Caution
Do not disassemble piston assembly.