
EXTERIOR

EXTERIOR

CONTENTS

51109000135

SERVICE SPECIFICATION	2	SIDE STEP	7
ADHESIVE	2	WINDSHIELD WIPER AND WASHER	9
SPECIAL TOOLS	2	HEADLAMP WASHER	12
FRONT BUMPER	3	MARKS	14
GRILLE, MOULDING AND GARNISH	5	STRIPE TAPE	15
OVER FENDER	6	DOOR MIRROR	17

SERVICE SPECIFICATION

51100030119

Item	Standard value	
Windshield wiper blade installation position mm	Driver's side	23 – 33
	Passenger's side	25 – 35

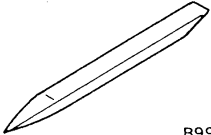
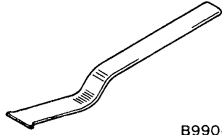
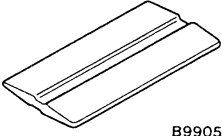
ADHESIVE

51100050108

Item	Specified adhesive
Door mirror inner delta cover	Adhesive tape: double-sided tape [5 mm width and 0.5 mm thickness]

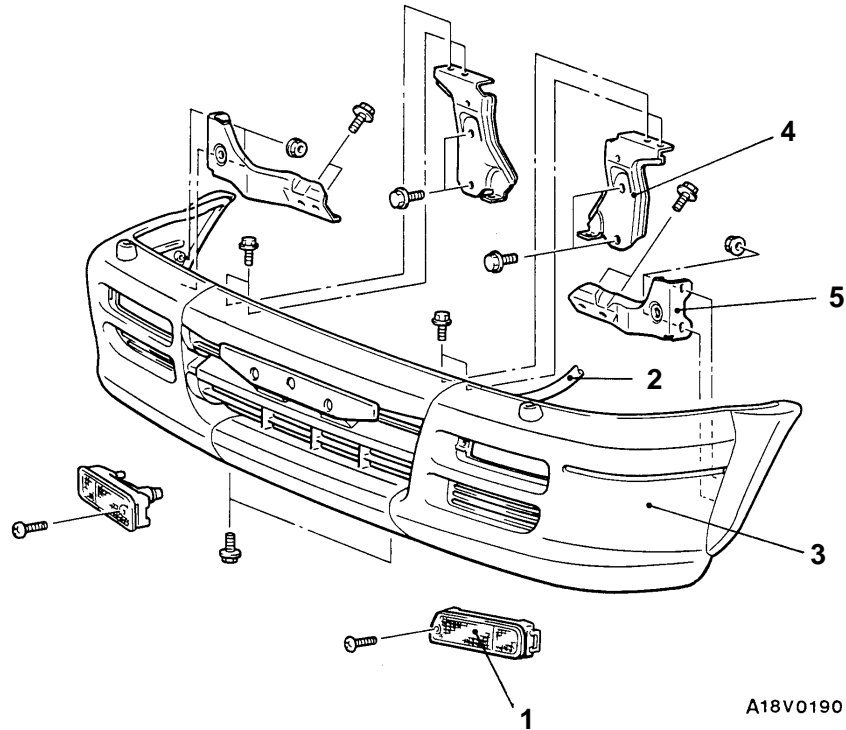
SPECIAL TOOLS

51100060095

Tool	Number	Name	Use
 B990784	MB990784	Ornament remover	Front deck garnish, front and rear flare, remote controlled mirror switch and door mirror inner delta cover removal
 B990449	MB990449	Window moulding remover	Roof drip moulding removal
 B990528	MB990528	Stripe tape spatula	Stripe tape bonding

FRONT BUMPER

51100140119

REMOVAL AND INSTALLATION

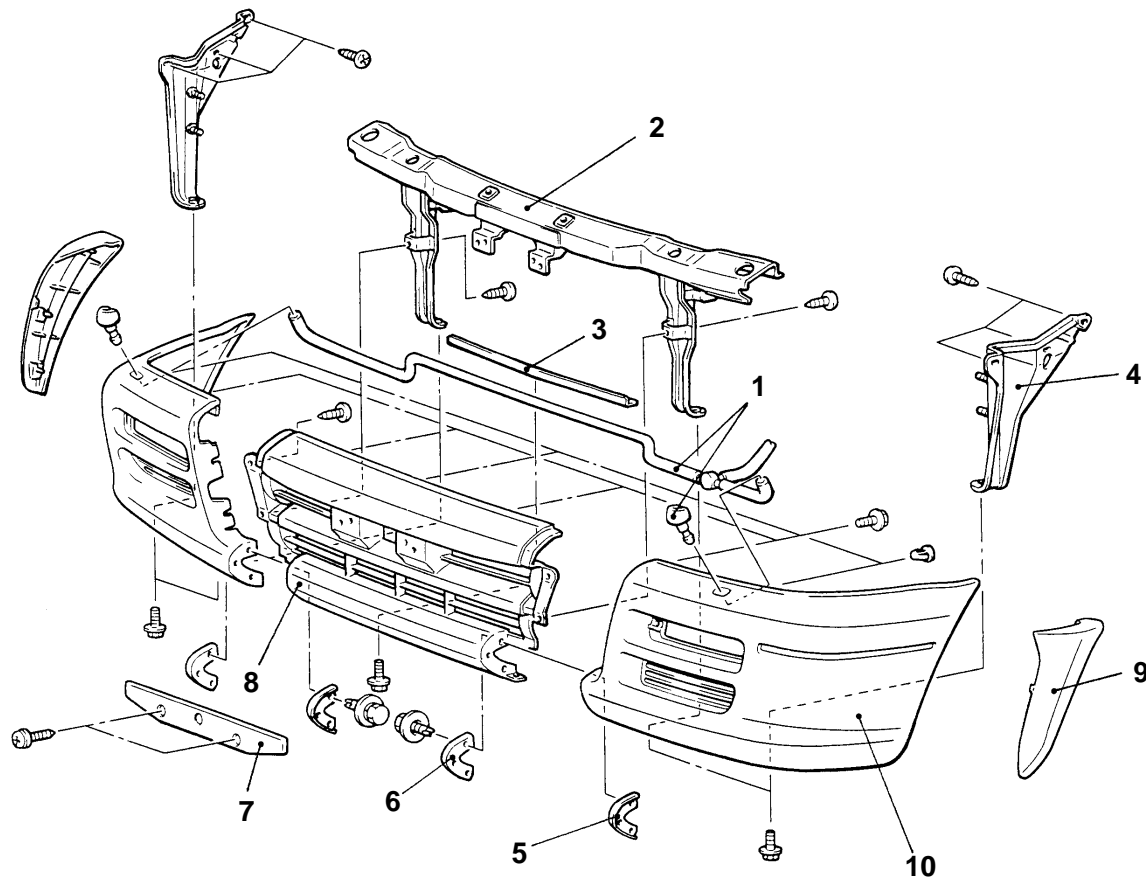
A18V0190

Removal steps

- Radiator grille
- 1. Front combination lamp assembly
- 2. Headlamp washer hose connection
<Vehicles with headlamp washer>
(Refer to P.51-12.)
- 3. Front bumper assembly
- 4. Front bumper support
- 5. Front bumper side stay

DISASSEMBLY AND REASSEMBLY

51100160122

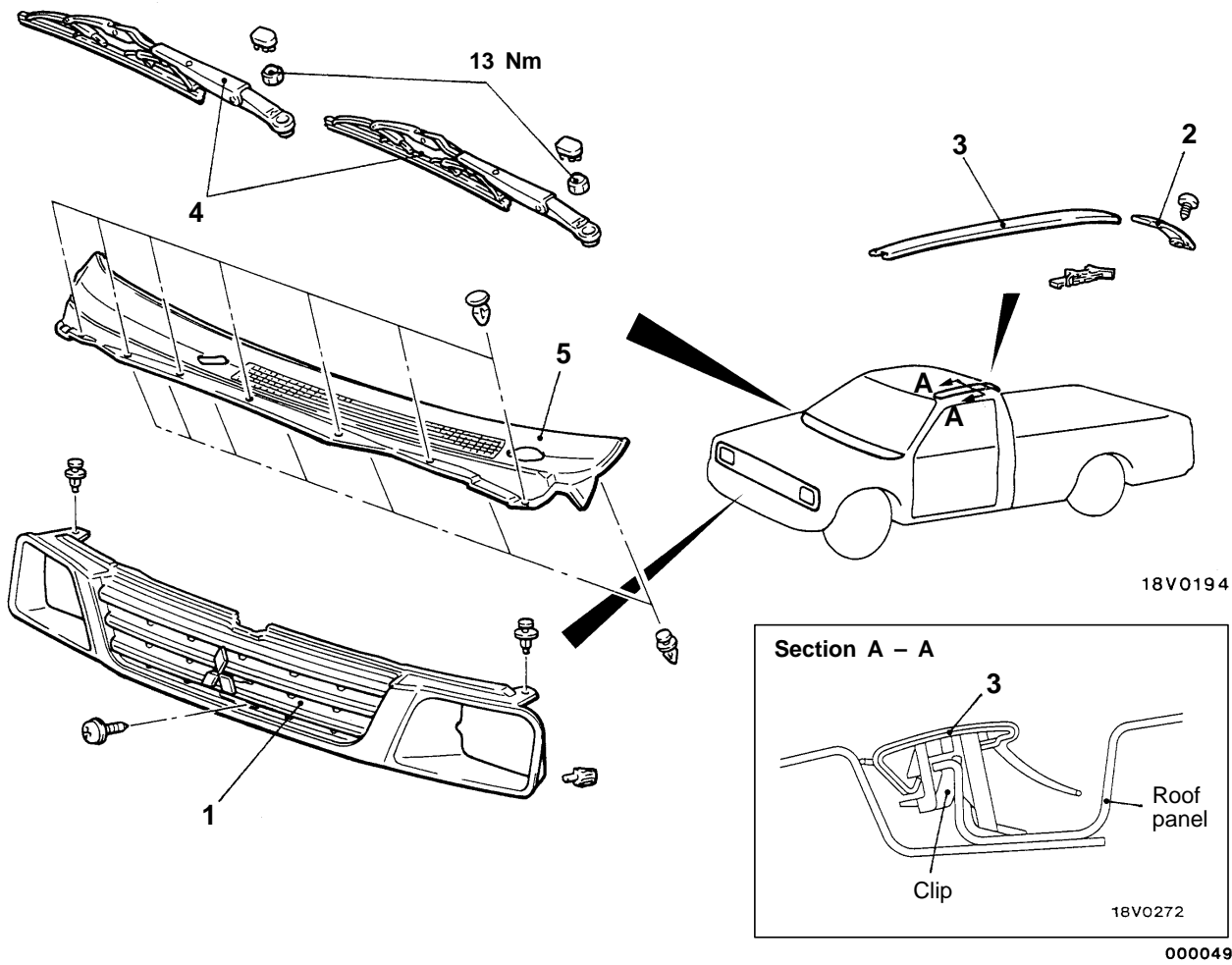


A18V0192

Disassembly steps

- | | |
|-------------------------------------------------------------------------------------------------------------------------------------------------------------------------------------------------------------------------------------------------------------------------------------------------------------------------------------|---------------------------------------------------------------------------------------------------------------------------------------------------------------------------------------------------------------------------------------------------------------------------------------|
| <ol style="list-style-type: none"> 1. Headlamp washer hose and nozzle
<Vehicles with headlamp washer>
(Refer to P.51-12.) 2. Front bumper beam assembly 3. Front bumper lower reinforcement 4. Front bumper side reinforcement 5. Bumper side corner reinforcement | <ol style="list-style-type: none"> 6. Bumper center corner reinforcement 7. Licence plate bracket 8. Front bumper center face 9. Front bumper face side extension
<Vehicles with over fender> 10. Front bumper side face |
|-------------------------------------------------------------------------------------------------------------------------------------------------------------------------------------------------------------------------------------------------------------------------------------------------------------------------------------|---------------------------------------------------------------------------------------------------------------------------------------------------------------------------------------------------------------------------------------------------------------------------------------|

**GRILLE, MOULDING AND GARNISH
REMOVAL AND INSTALLATION**



◀A▶

1. Radiator grille

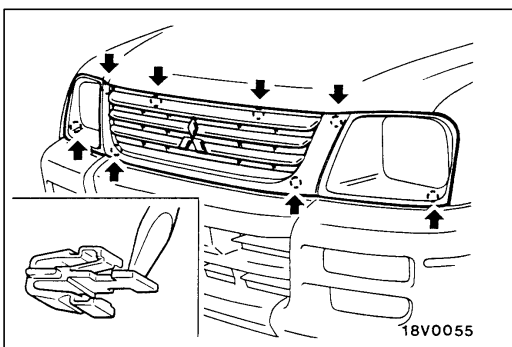
Roof drip moulding removal steps

◀B▶

- 2. Roof drip cover
- 3. Roof drip moulding

Front deck garnish removal steps

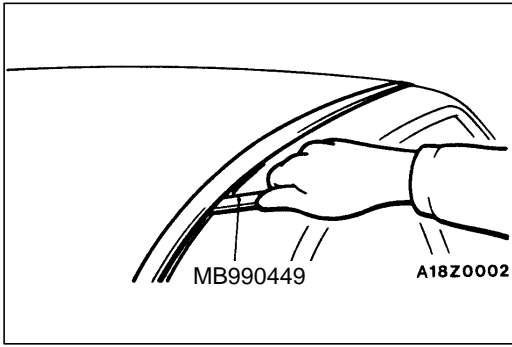
- 4. Wiper arm and blade assembly
(Refer to P.51-9.)
- 5. Front deck garnish



REMOVAL SERVICE POINTS

◀A▶ **RADIATOR GRILLE REMOVAL**

Remove the radiator grille by pushing the tab of the radiator grille clips in the direction of the arrows with a flat-tipped screwdriver, while lightly pulling the radiator grille towards you.



◀B▶ ROOF DRIP MOULDING REMOVAL

Use the special to lever out the moulding.

Caution

Do not reuse the warped moulding.

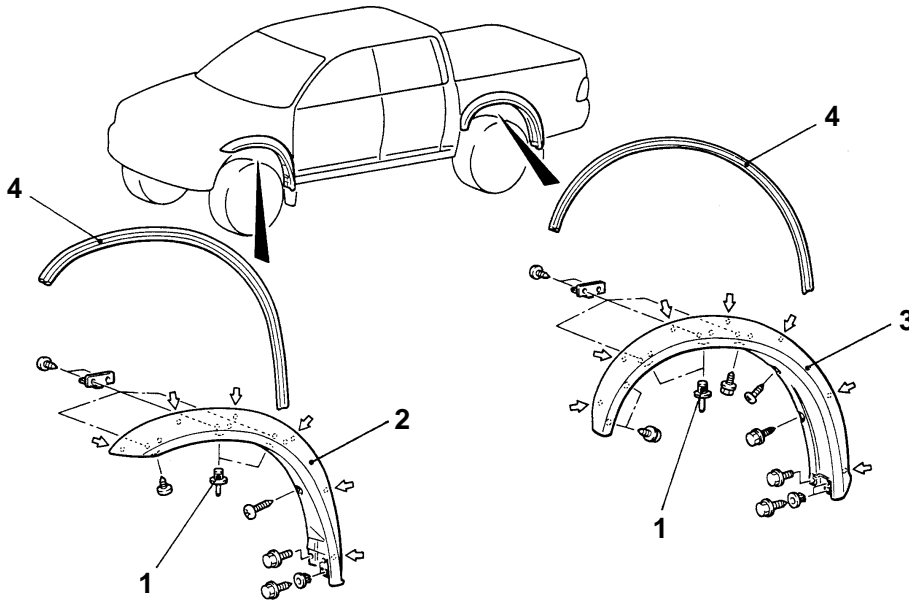
OVER FENDER

51101380039

REMOVAL AND INSTALLATION

Pre-removal and Post-installation Operation

- Mud Guard Removal and Installation

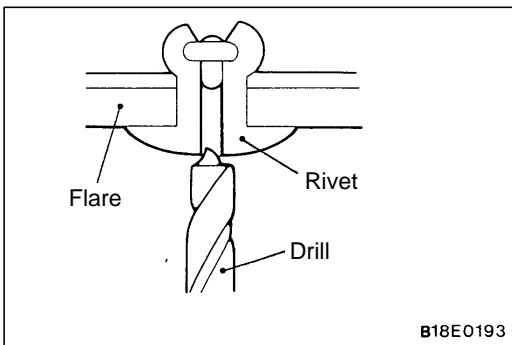


A18V0195

Removal steps



1. Rivet
2. Front flare
3. Rear flare
4. Protector

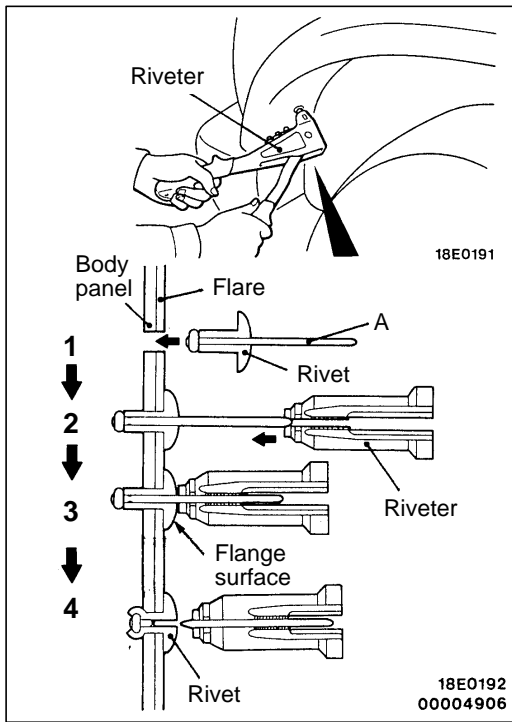


B18E0193

REMOVAL SERVICE POINT

◀A▶ RIVET REMOVAL

Use a drill ($\phi 4.0 - 5.5$ mm) to break the rivet by drilling a hole, and remove the rivet.



INSTALLATION SERVICE POINT

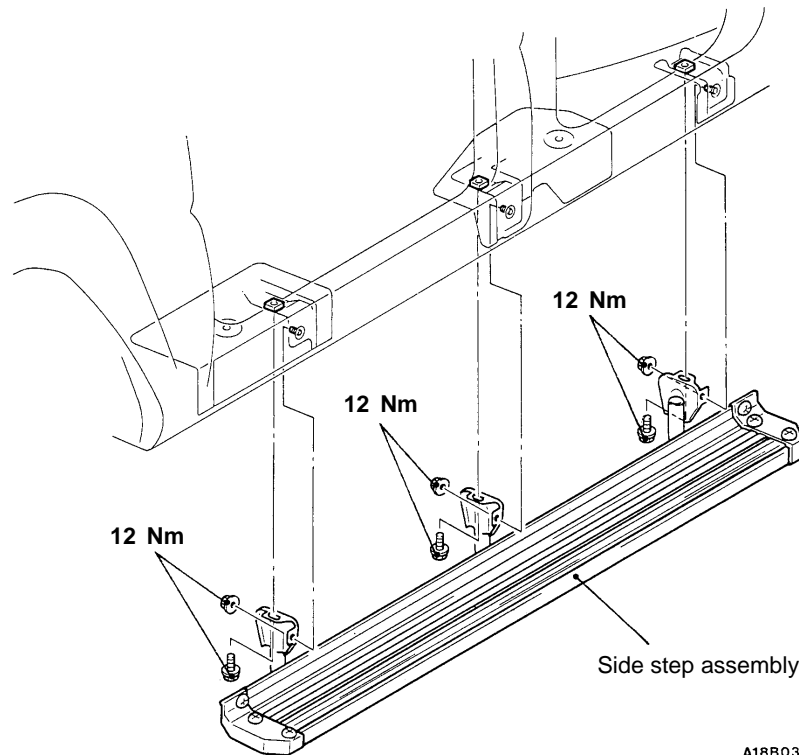
▶◀ RIVET INSTALLATION

1. Insert the rivet into the body panel and flare.
2. Insert A of the rivet into the riveter.
3. Pressing the flange surface of the rivet, move the handle of the riveter.
4. The thinnest point of A is cut and the rivet is hold in the position

SIDE STEP

51101150012

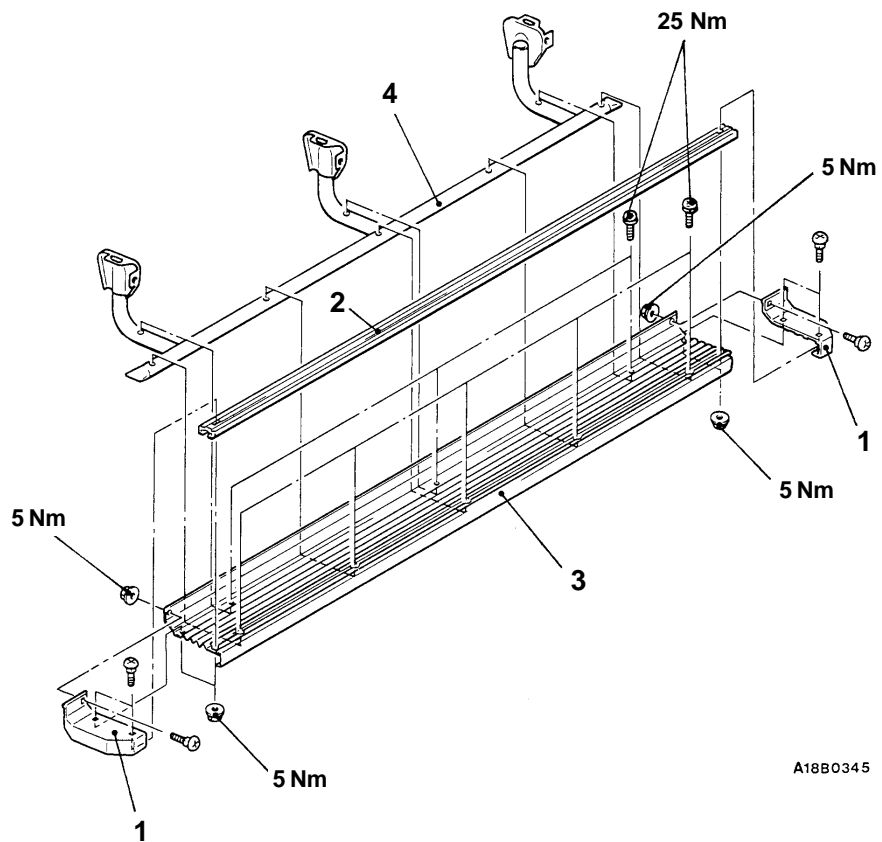
REMOVAL AND INSTALLATION



A18B0346

DISASSEMBLY AND REASSEMBLY

51101430017



A18B0345

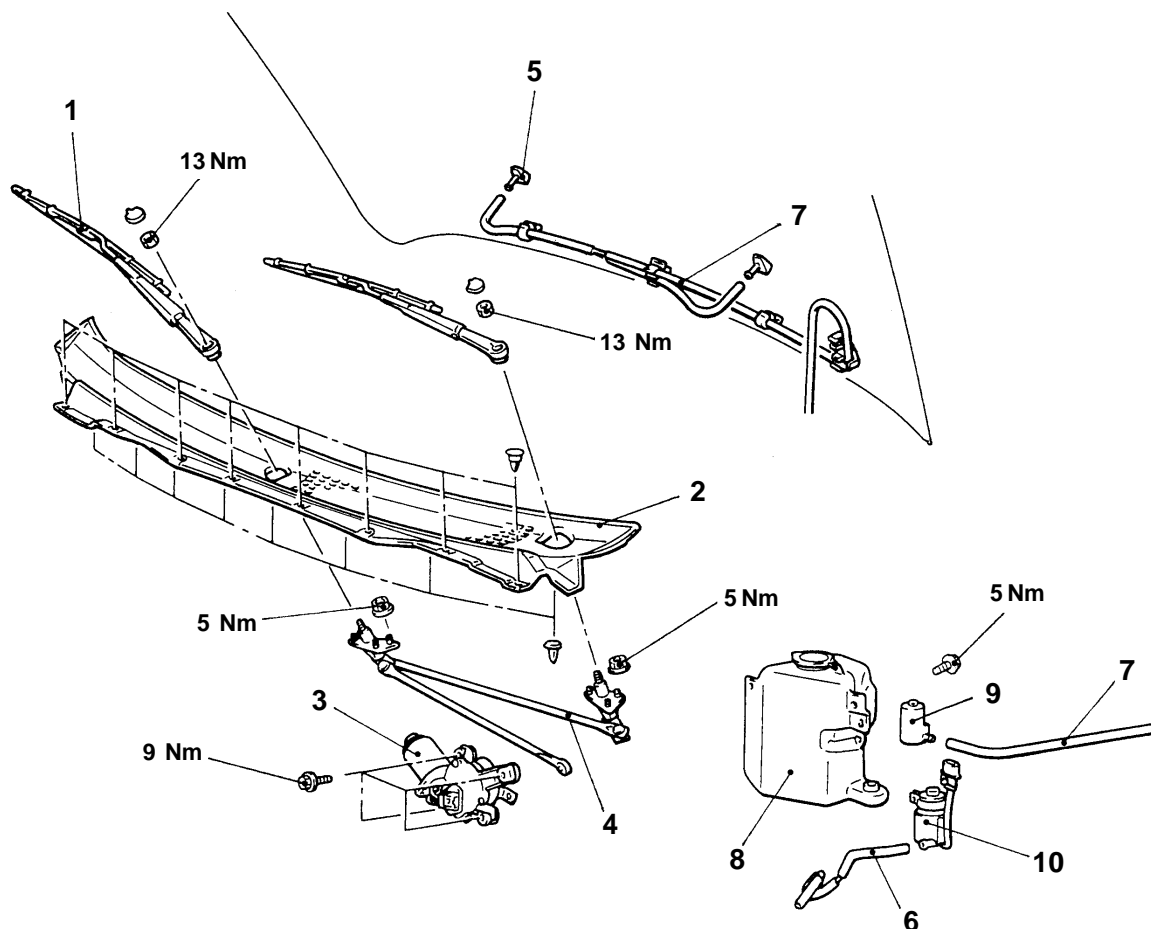
Disassembly steps

1. Step cover
2. Non-slip cover
3. Step plate
4. Side step pipe assembly

WINDSHIELD WIPER AND WASHER

51100760148

REMOVAL AND INSTALLATION



A18V0220

Wiper motor and link assembly removal steps



1. Wiper arm and blade assembly
2. Front deck garnish
3. Wiper motor
4. Wiper link assembly



Washer nozzle removal

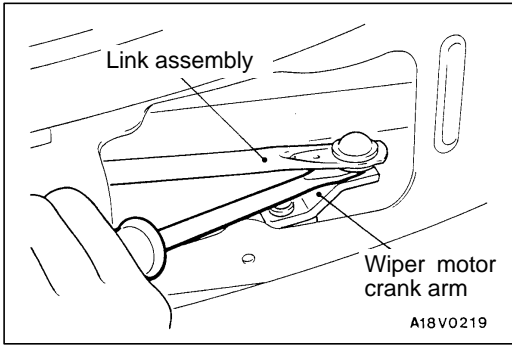
5. Washer nozzle

Washer tank removal steps

- Washer fluid draining and supplying
- 6. Headlamp washer hose connection <Vehicles with headlamp washer>
- 7. Washer hose
- 8. Washer tank assembly
- 9. Washer motor
- 10. Headlamp washer motor <Vehicles with headlamp washer>

NOTE

For removal and installation of the column switch assembly (windshield wiper and washer switch), refer to GROUP 37A – Steering Wheel and Shaft.



REMOVAL SERVICE POINT

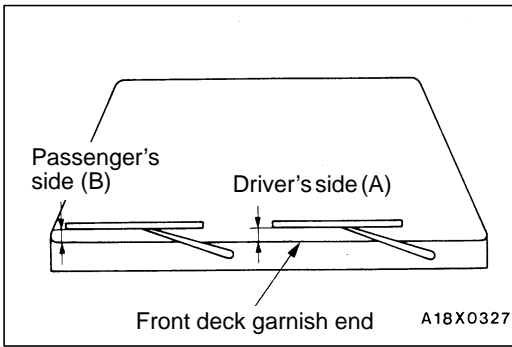
◀A▶ WIPER MOTOR REMOVAL

Use a flat-tipped screwdriver to remove the connection between the wiper motor crank arm and the link assembly.

Caution

Auto-stop angle is controlled so do not remove crank arm from wiper motor unless necessary.

When removing, mark crank arm and wiper motor.



INSTALLATION SERVICE POINT

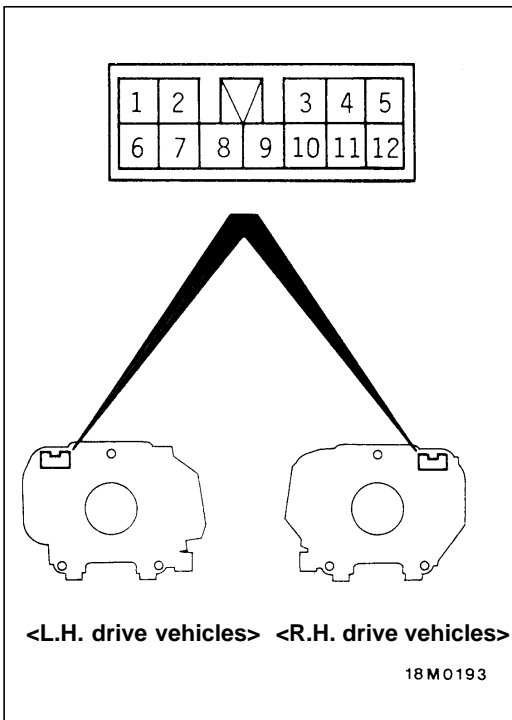
▶A◀ WIPER ARM AND BLADE ASSEMBLY INSTALLATION

Install the wiper blade in the specified position (standard value).

Standard value:

Driver's side (A) 23 – 33 mm

Passenger's side (B) 25 – 35 mm



INSPECTION

51100770103

COLUMN SWITCH CHECK

Wiper and Washer Switch

<L.H. drive vehicles>

Switch position		Terminal No.				
		6	7	8	9	10
Wiper switch	OFF		○—○			
	INT		○—○			
	1 (LO)			○—○		
	2 (HI)				○—○	
Washer switch	ON	○				○

<R.H. drive vehicles>

Switch position		Terminal No.				
		8	9	10	11	12
Wiper switch	OFF			○—○		
	INT			○—○		
	1 (LO)	○		○		
	2 (HI)	○	○			
Washer switch	ON	○				○

Intermittent Wiper Relay (Intermittent Operation Inspection)

1. Connect the column switch connector.
2. Turn the ignition switch to ACC.
3. Inspect the intermittent operation time when the wiper switch is turned to INT.

Vehicles with variable intermittent control

FAST: Approx. 2 seconds

SLOW: Approx. 15 seconds

WIPER MOTOR CHECK

51101260050

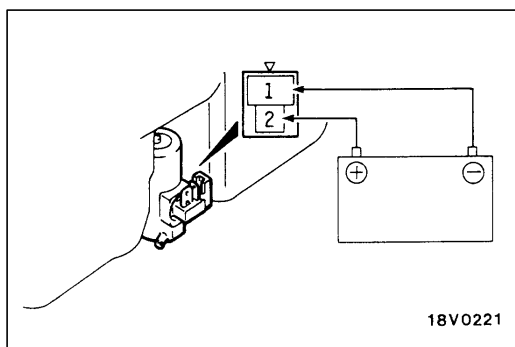
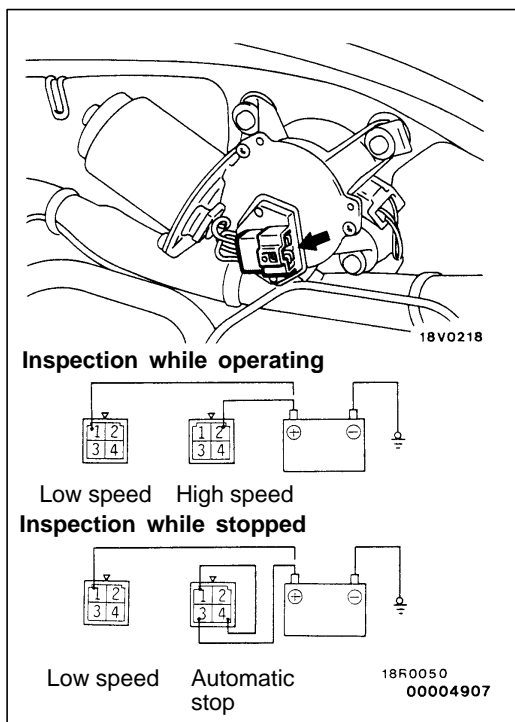
Check the wiper motor after disconnecting the wiring harness connector, and with the wiper motor remaining installed to the body.

Wiper Motor at Low Speed and High Speed Operation

Connect a battery to the wiper motor as shown in the illustration and inspect motor operation at low speed and high speed.

Wiper Motor at Stop Position Operation

1. Run the wiper motor at low speed, disconnect the battery, and stop the motor.
2. Reconnect the battery as shown in the illustration, and confirm that after the motor starts turning at low speed, it stops at the automatic stop position.



WASHER MOTOR CHECK

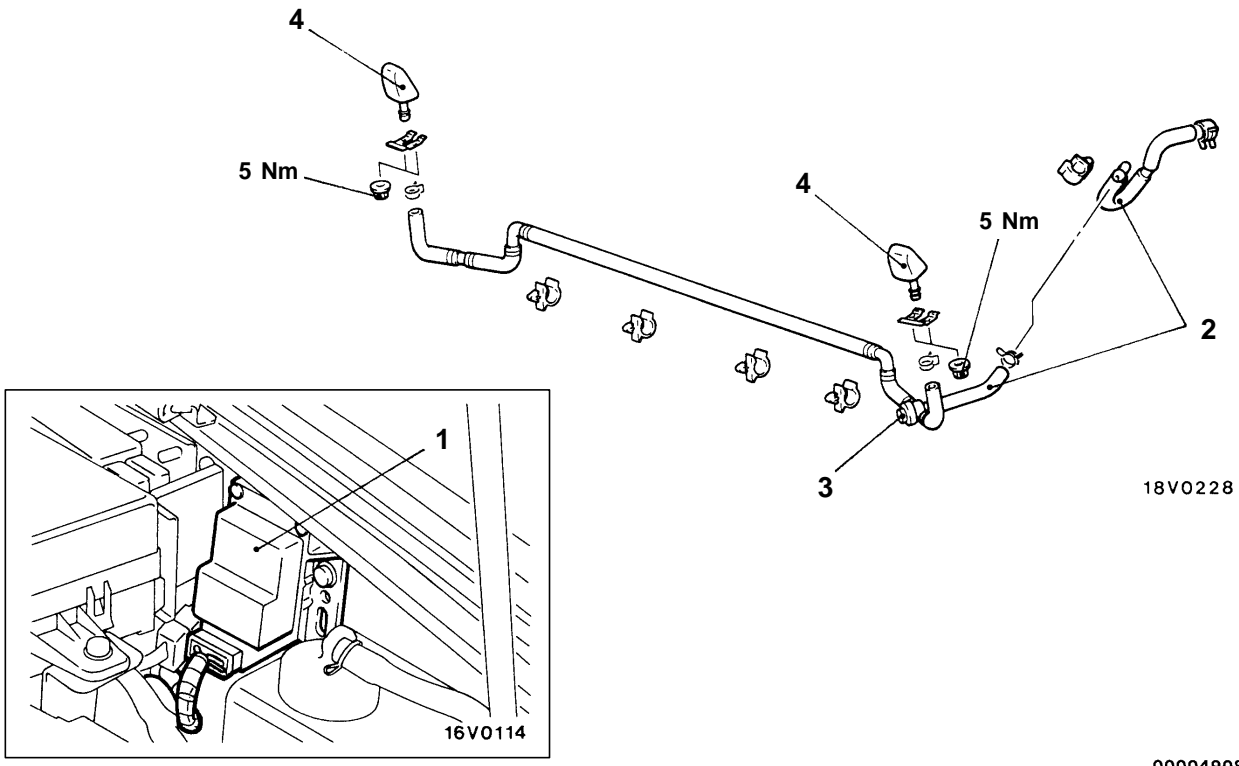
51101270060

1. With the washer motor installed to the washer tank, fill the washer tank with water.
2. Check that the water squirts out strongly when battery voltage is applied to terminals (1) and (2).

HEADLAMP WASHER

51100970077

REMOVAL AND INSTALLATION



18V0228

00004908

- 1. Headlamp washer relay

Washer nozzle and check valve removal steps

- Washer fluid draining
- Front bumper (Refer to P.51-3.)
- 2. Washer hose
- 3. Check valve
- 4. Washer nozzle

NOTE

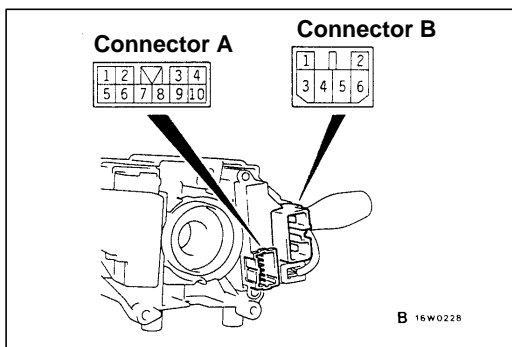
- 1. For removal and installation of the column switch assembly (built-in headlamp washer switch), refer to GROUP 37A – Steering Wheel and Shaft.
- 2. For removal and installation of the washer tank, refer to P.51-9.

INSPECTION

51100980070

COLUMN SWITCH (HEADLAMP WASHER SWITCH) CHECK

Check the continuity between terminal (2) of connector A and terminal (1) of connector B with headlamp washer switch in ON position.

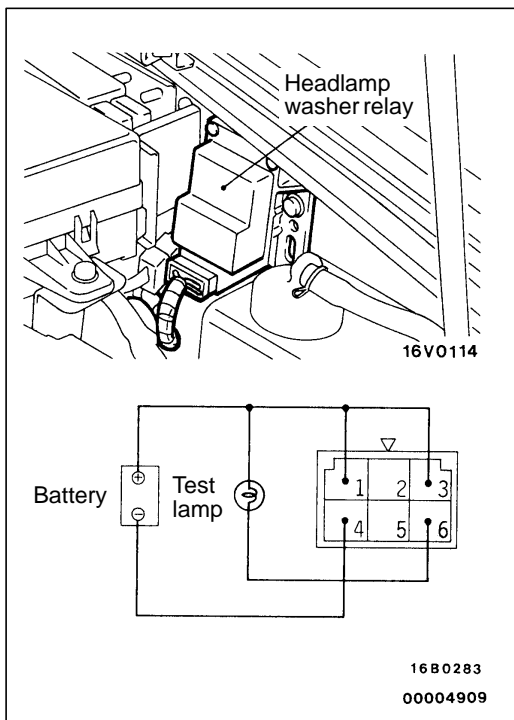


B 16W0228

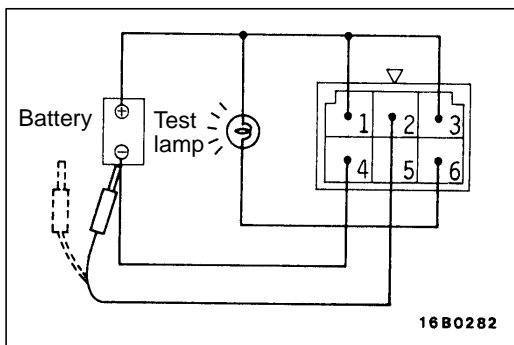
HEADLAMP WASHER RELAY CHECK

51101320048

1. Connect battery and test lamp to the relay as illustrated.



2. The relay is normal if the lamp lights for approximately 0.5 second upon connection of terminal (2) to battery (-).

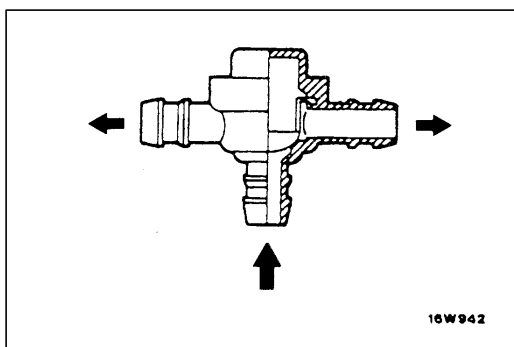


CHECK VALVE CHECK

51101330041

Apply pressure to the inlet of the check valve to check its opening pressure.

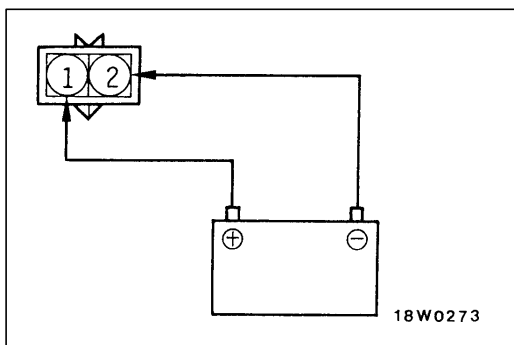
Opening pressure: 78 kPa



HEADLAMP WASHER MOTOR CHECK

51101340044

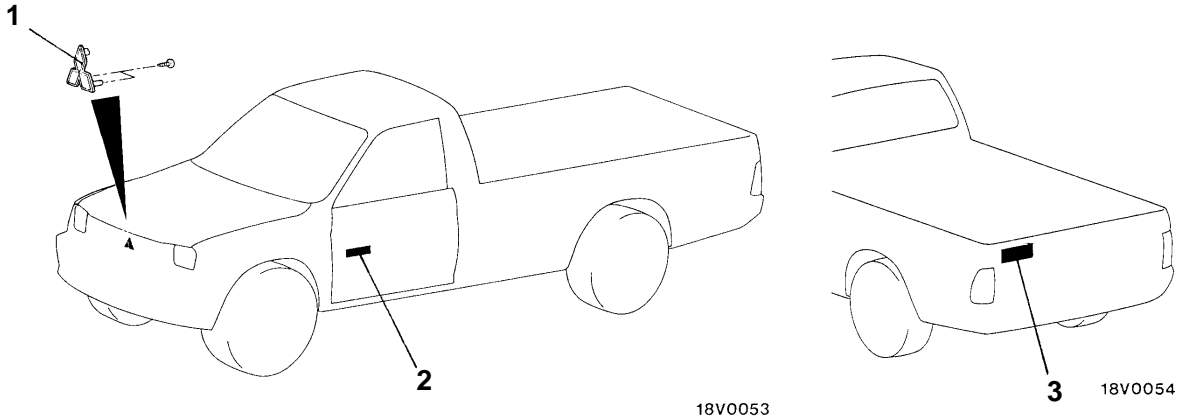
1. With the headlamp washer motor installed to the washer tank, fill the washer tank with water.
2. Check that the water squirts out strongly when battery voltage is applied to terminals (1) and (2).



MARKS

51101180066

REMOVAL AND INSTALLATION



00004910

1. Three dia. mark
 2. L200 mark
 3. MITSUBISHI mark

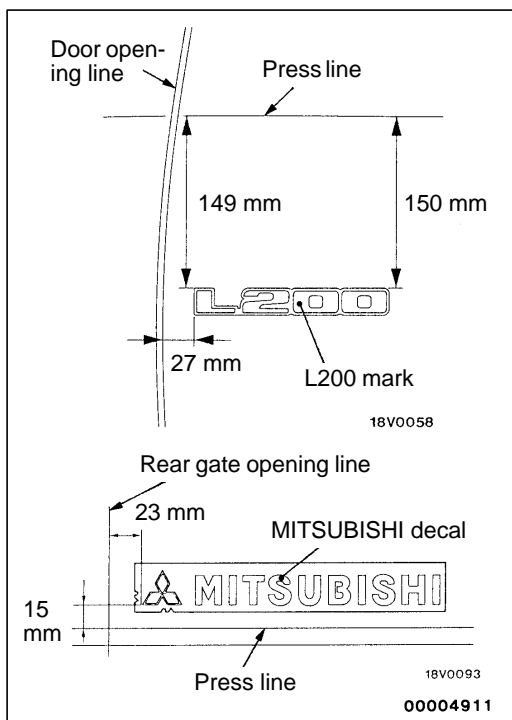
INSTALLATION SERVICE POINT

▶◀ MARK AND DECAL INSTALLATION

1. Installation position
Attach to the position shown in the illustration.
2. Installation procedure
 - (1) Use unleaded petrol to clean the body surface at the installation position of the marks and decals.
 - (2) Peel the backing paper off from the reverse of the marks and decals and attach the marks and decals to the vehicle body.
 - (3) Remove the application tape from the decal.

Caution

1. When installing the marks and decals, the surrounding temperature should be 20 – 38°C and the air should be completely free from dust.
2. If the surrounding temperature is lower than 20°C, the marks, decals and the body surface should be heated to 20 – 30°C.



00004911

STRIPE TAPE

51101210017

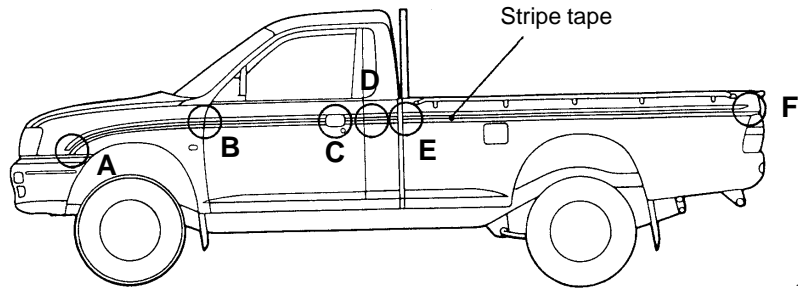
INSTALLATION SERVICE POINT

1. Peel the backing paper off from the reverse of the stripe tape and attach the stripe tape to the vehicle body.

Caution

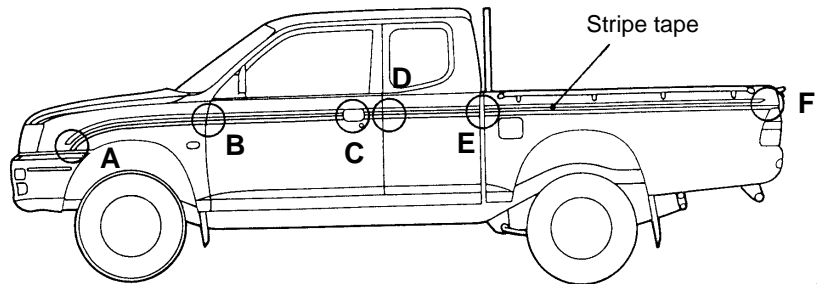
1. When installing the stripe tape, the surrounding temperature should be 20 – 38°C and the air should be completely free from dust.
2. If the surrounding temperature is lower than 20°C, the stripe tape and the body surface should be heated to 20 – 30°C.

Single cab



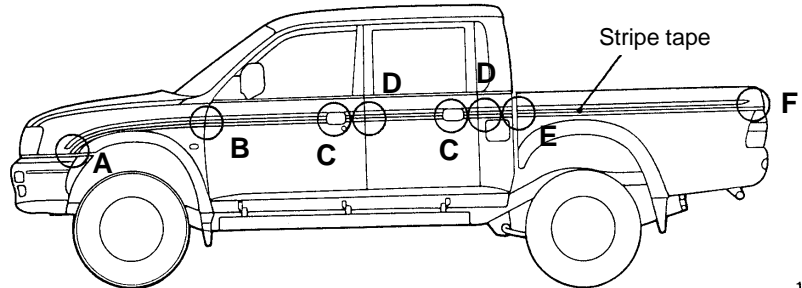
18V0196

Club cab



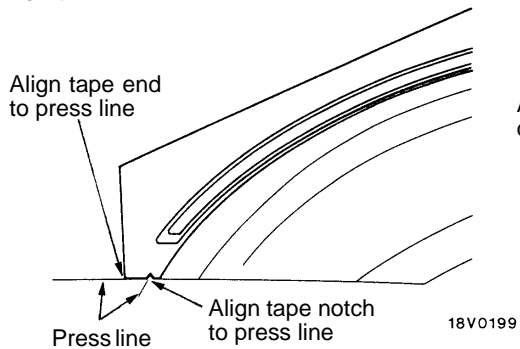
18V0197

Double cab



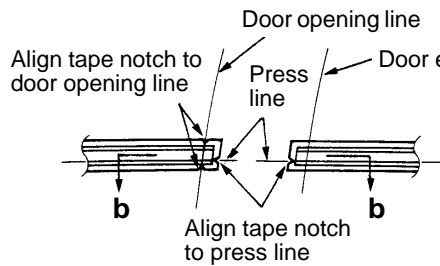
18V0198

Point A



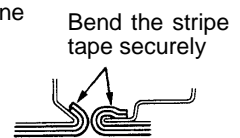
18V0199

Point B



18V0200

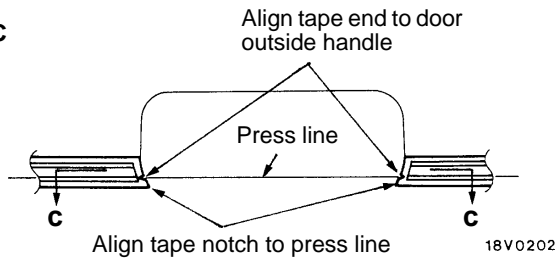
Section b – b



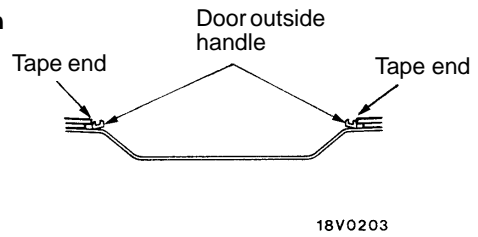
18V0201

00004912

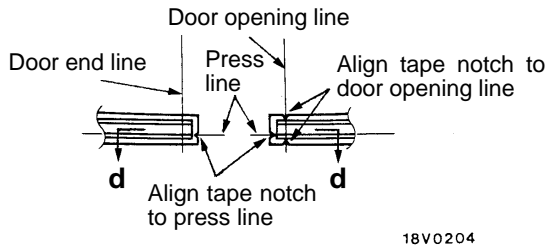
Point C



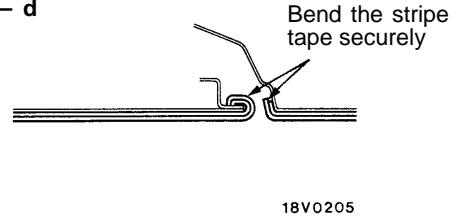
Section c - c



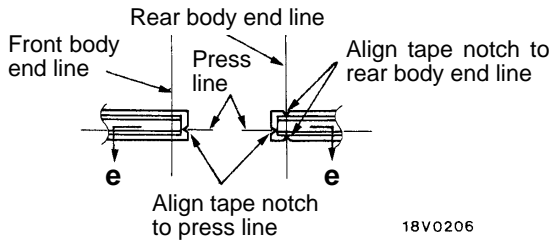
Point D



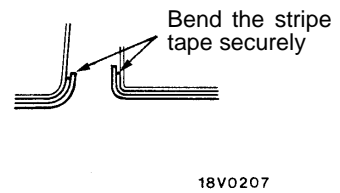
Section d - d



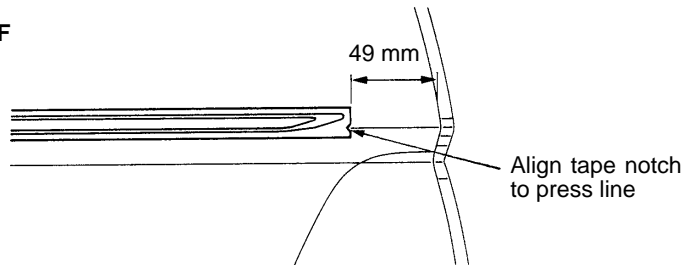
Point E



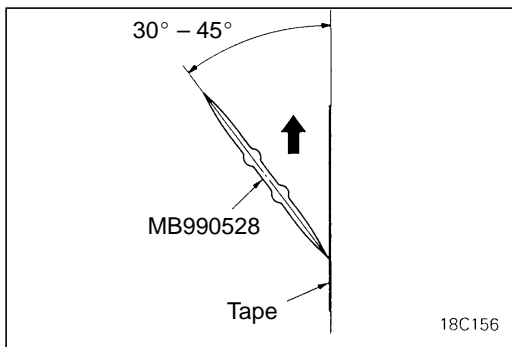
Section e - e



Point F



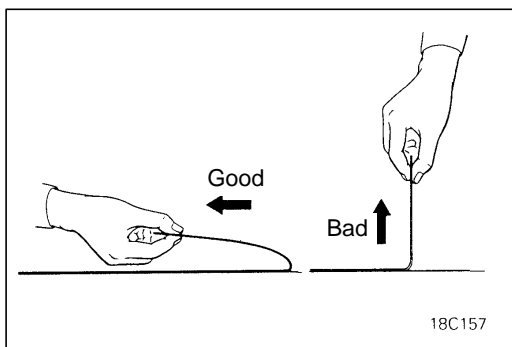
00005283



2. Use the special tool to press on the tape, beginning at the centre and moving evenly to both the top and bottom, in order to remove any trapped air bubbles.

Caution

1. If the special tool slides to the side, there will be slack at the end of the tape, causing wrinkles, and the tape may deviate from the correct application position.
2. If the tape is not applied properly, it may come off later.

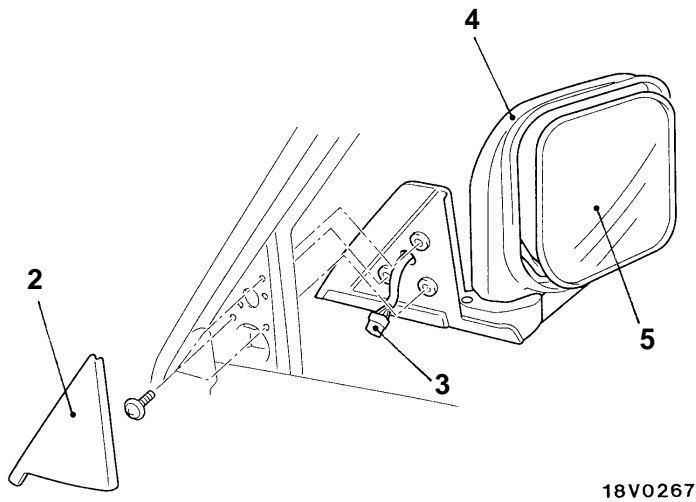


3. Pull the tape off straight and slowly.
4. If there are any air bubbles in the tape after the application, use a sewing needle to make small holes in the bubbles, and use the corners of the spatula to press the air out.

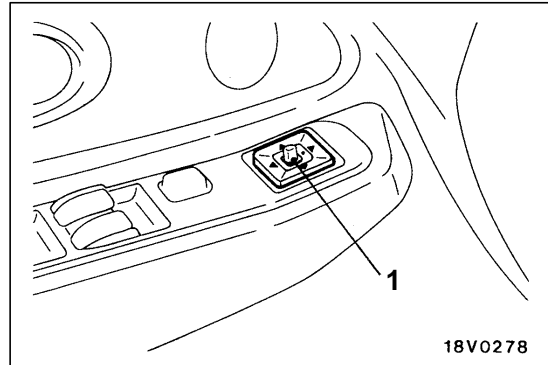
DOOR MIRROR

51100640060

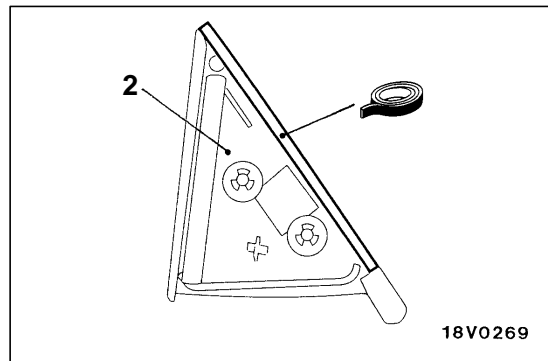
REMOVAL AND INSTALLATION



18V0267



18V0278



18V0269

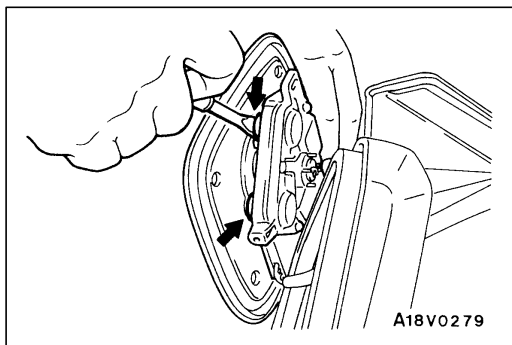
Adhesive tape:
Double-side tape
[5 mm width and 0.4 mm thickness]

00004914

1. Remote controlled mirror switch

Door mirror removal steps

2. Inner delta cover
3. Harness connector <Vehicles with remote controlled mirror>
4. Door mirror assembly
5. Mirror <Vehicles with remote controlled mirror>

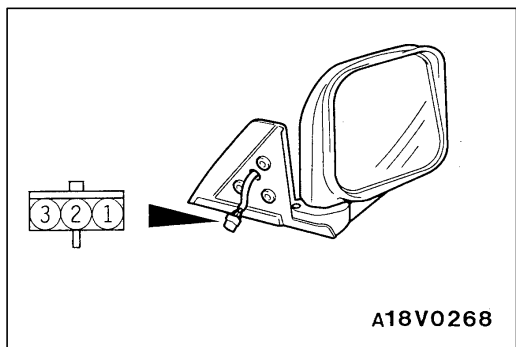


A18V0279

REMOVAL SERVICE POINT

◀A▶ MIRROR REMOVAL

Disconnect the parts indicated by the arrows and remove the mirror from the actuator sub assembly.



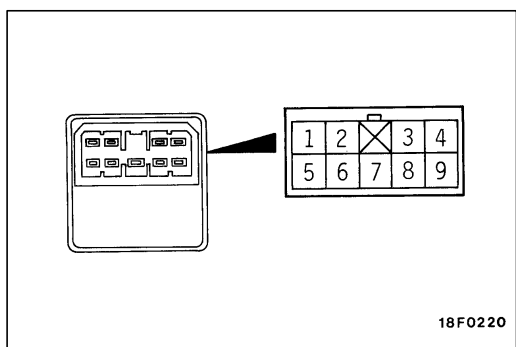
INSPECTION

51100650056

REMOTE CONTROLLED MIRROR ASSEMBLY CHECK

Check to be sure that the mirror moves as described in the table when each terminal is connected to the battery.

Battery connection terminal			Direction operation
1	2	3	
⊖		⊕	UP
⊕		⊖	DOWN
⊖	⊕		RIGHT
⊕	⊖		LEFT



REMOTE CONTROLLED MIRROR SWITCH CONTINUITY CHECK

51101350047

Switch position		Terminal No.						
		2	3	4	6	7	8	9
Left side	UP			○	○	○	○	
	DOWN			○	○	○	○	
	LEFT		○	○	○	○		
	RIGHT		○	○	○	○		
Right side	UP	○		○	○	○		
	DOWN	○		○	○	○		
	LEFT			○	○	○	○	
	RIGHT			○	○	○	○	○

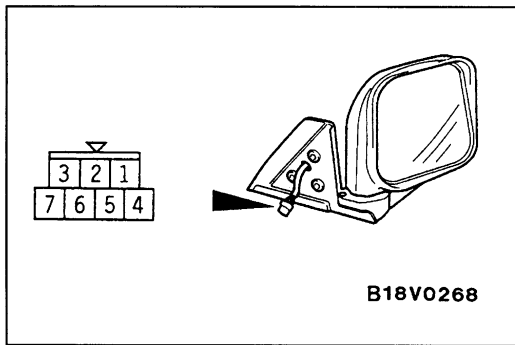
GROUP 51

EXTERIOR

GENERAL

OUTLINE OF CHANGE

- The service procedures have been established to correspond to the adoption of the remote-controlled door mirror with printed heating wire.



DOOR MIRROR

INSPECTION

REMOTE-CONTROLLED MIRROR ASSEMBLY CHECK

Check to be sure that the mirror moves as described in the table when each terminal is connected to the battery.

Battery connection terminal			Operation direction
5	6	7	
⊖		⊕	UP
⊕		⊖	DOWN
⊖	⊕		RIGHT
⊕	⊖		LEFT

PRINTED HEATING WIRE CHECK

For the remote-controlled door mirror with printed heating wire, check to be sure that there is a continuity between the terminal 1 and the terminal 4.

GROUP 51 EXTERIOR

GENERAL

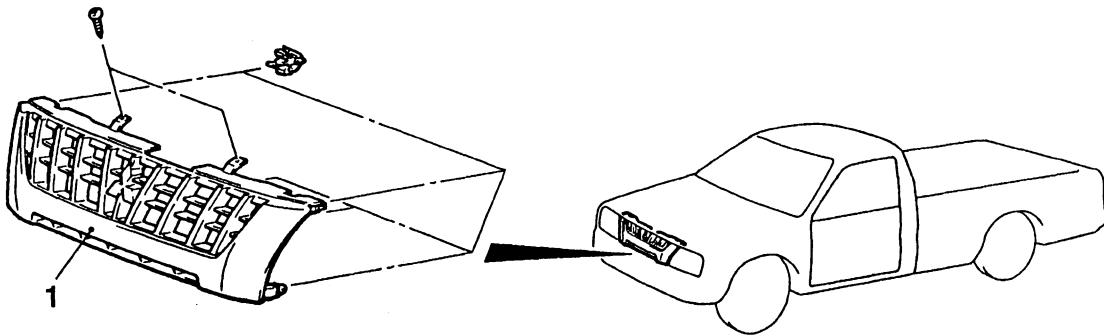
OUTLINE OF CHANGE(S)

Service procedures have been added due to the following modifications.

- The radiator grille has been modified.
- Newly designed door mirrors have been newly used.

GRILLE

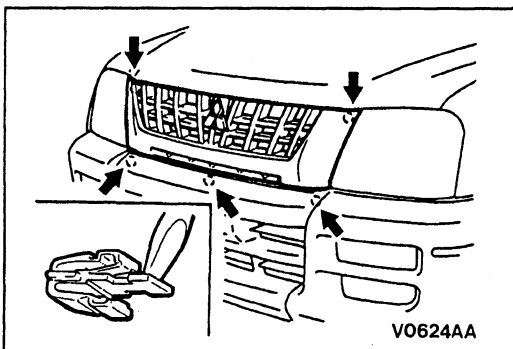
REMOVAL AND INSTALLATION



AV0623AA



1. Radiator grille



V0624AA

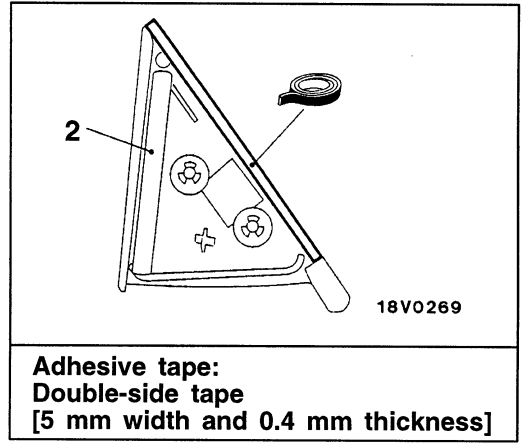
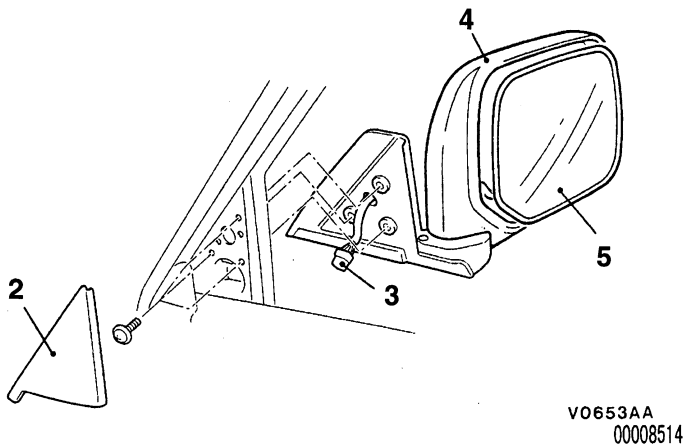
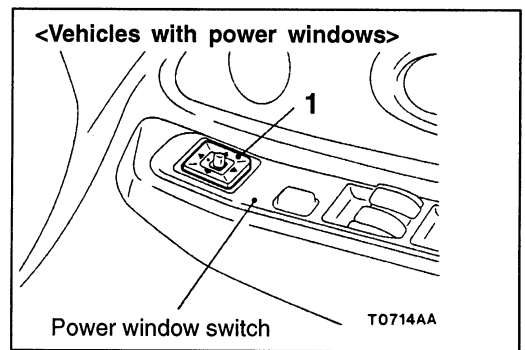
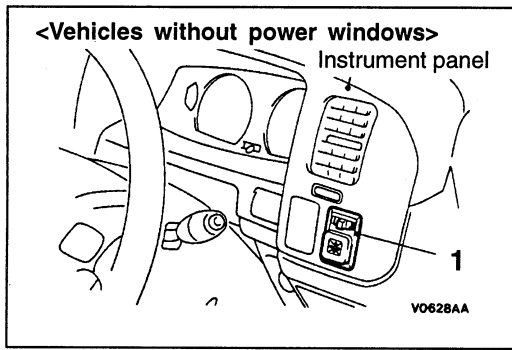
REMOVAL SERVICE POINT

◀▶ RADIATOR GRILLE REMOVAL

1. Remove the radiator grille upper screws.
2. Gently pulling the radiator grille forwards, push the clip tab with a flat-tipped screwdriver to remove the radiator grille, as shown.

DOOR MIRRORS

REMOVAL AND INSTALLATION

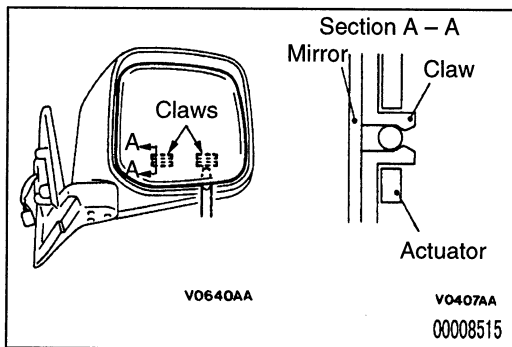


1. Remote controlled mirror switch

Door mirror removal steps

- 2. Inner delta cover
- 3. Harness connector

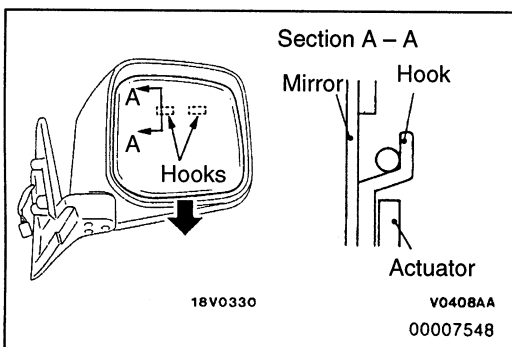
- 4. Door mirror assembly
- 5. Mirror



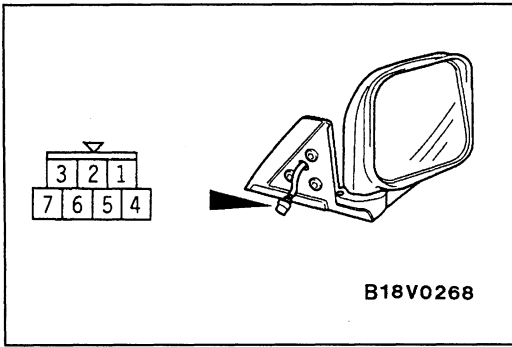
REMOVAL SERVICE POINT

◀▶ MIRROR REMOVAL

1. Tilting the mirror upwards by hand, insert a flat-tipped screwdriver wound with protection tape. Then, pry the claws out of the actuator.



2. Unhook the mirror by pulling it downwards.



INSPECTION

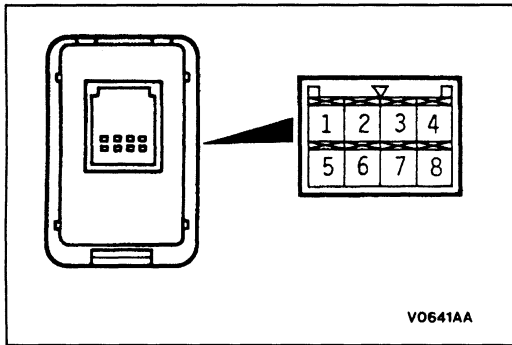
REMOTE CONTROLLED MIRROR ASSEMBLY CHECK

Check that the mirror moves as described in the table when each terminal is connected to the battery.

Battery connection terminal			Direction operation
5	6	7	
⊖		⊕	UP
⊕		⊖	DOWN
⊕	⊖		LEFT
⊖	⊕		RIGHT

PRINTED HEATING WIRE CHECK

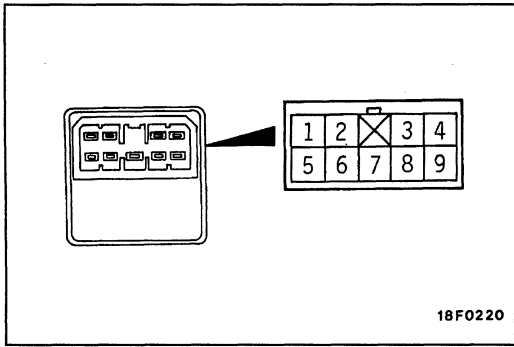
For the remote-controlled door mirror with printed heating wire, check that continuity is present between terminals 1 and 4.



REMOTE CONTROLLED MIRROR SWITCH CONTINUITY CHECK

<Vehicles without power windows>

Switch position		Terminal No.						
		2	3	4	5	6	7	8
Left side	UP	○—○		○—○				
	DOWN	○—○	○—○				○—○	
	LEFT	○—○	○—○				○—○	○—○
	RIGHT	○—○					○—○	○—○
Right side	UP	○—○				○—○		
	DOWN	○—○	○—○			○—○	○—○	
	LEFT	○—○	○—○		○—○		○—○	
	RIGHT	○—○			○—○		○—○	



<Vehicles with power windows>

Switch position		Terminal No.						
		2	3	4	6	7	8	9
Left side	UP			○	○	○	○	
	DOWN			○	○	○	○	
	LEFT		○	○	○	○		
	RIGHT		○	○	○	○		
Right side	UP	○		○	○	○		
	DOWN	○		○	○	○		
	LEFT			○	○	○	○	○
	RIGHT			○	○	○		○

GROUP 51 EXTERIOR

GENERAL

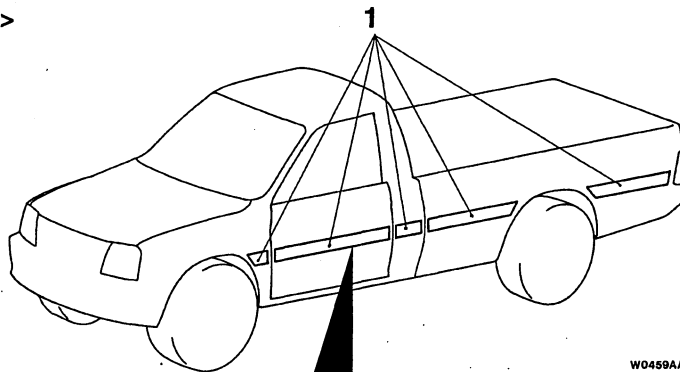
OUTLINE OF CHANGE

- The service procedures have been established to correspond to the adoption of the side protector moulding.

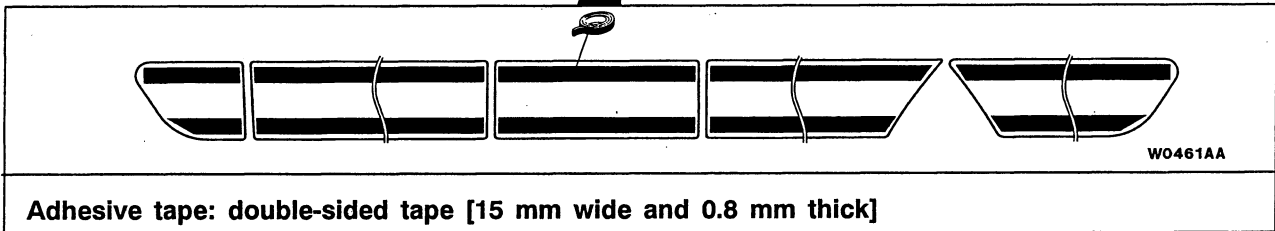
MOULDING

REMOVAL AND INSTALLATION

<Single cab, Club cab>



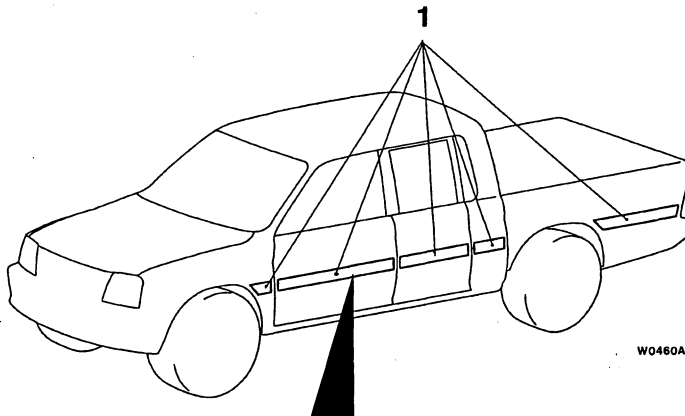
W0459AA



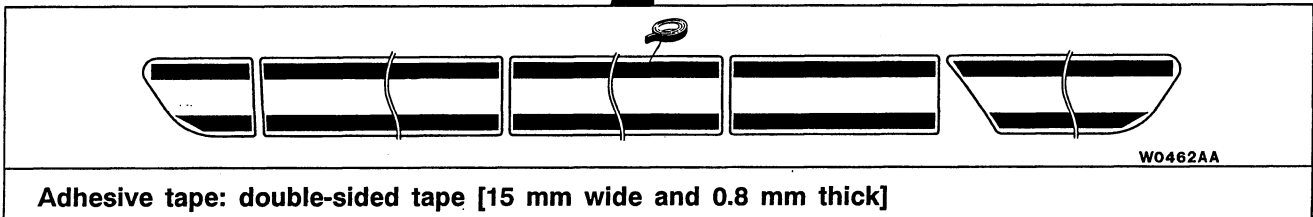
W0461AA

Adhesive tape: double-sided tape [15 mm wide and 0.8 mm thick]

<Double cab>



W0460AA

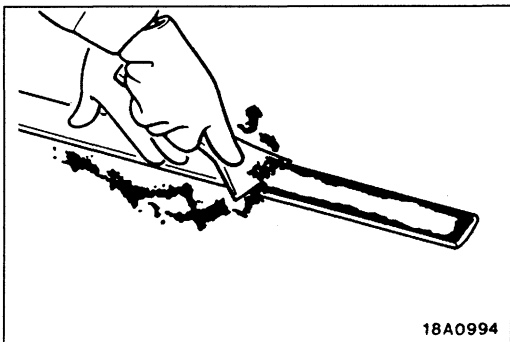
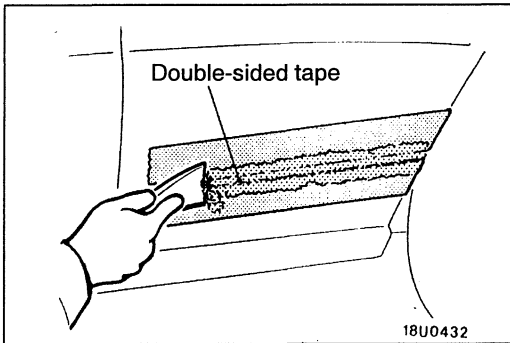
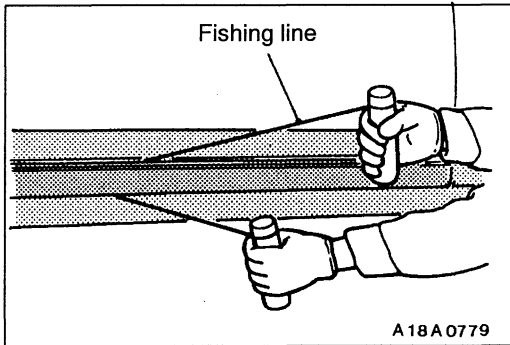
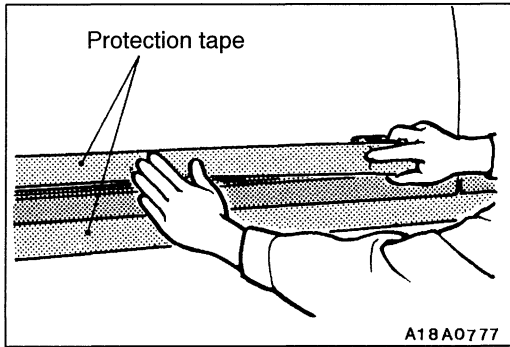


W0462AA

Adhesive tape: double-sided tape [15 mm wide and 0.8 mm thick]

Removal steps

- ◀A▶ ▶A◀ 1. Side protector moulding



REMOVAL SERVICE POINT

◀▶ SIDE PROTECTOR MOULDING REMOVAL

1. Attach protection tape all the way along the edges of the double-sided tape which is still adhering to the body.

2. Insert fishing line [\varnothing 0.8 mm] in between the body and the moulding, and pull both ends alternately to cut the adhesive section and remove the moulding.

Caution

- (1) If the moulding is to be reused, pull the fishing line along the edge of the body so as not to damage the edge of the moulding.
- (2) If the adhesive is difficult to remove, heat it to 40°C moulding has become warped, it should not be reused.

3. Scrape off the double-sided tape with a resin spatula.
4. Peel off the protection tape.
5. Wipe the body surface clean with a rag moistened with isopropyl alcohol.

INSTALLATION SERVICE POINT

▶◀ SIDE PROTECTOR MOULDING INSTALLATION

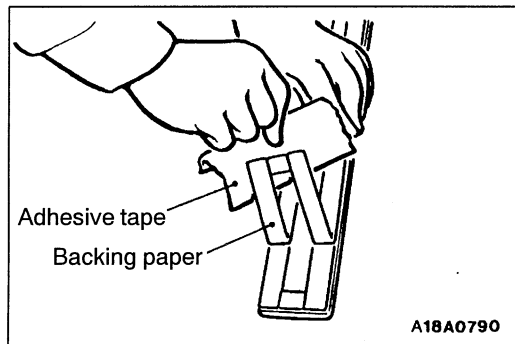
Affixing Double-sided tape to the mouldings (when reusing mouldings)

1. Scrape off the double-sided tape with a resin spatula or gasket scraper.

2. Wipe the moulding adhesion surface clean with a rag moistened with isopropyl alcohol.
3. Affix the specified double-sided tape to the side protect moulding.

Specified adhesive tape:

Double-sided tape [15 mm wide and 0.8 mm thick]



4. Remove the strip paper from the pressure sensitive double-side tape.

NOTE

Affix double-sided tape to the end of strip paper for ease of strip paper removal.

5. Remove strip paper from the pressure sensitive double - side tape.

NOTE

If it is hard to affix the double-side tape in winter, heat the application surfaces at both the vehicle body and the side protector moulding.

Body 40 – 60°C

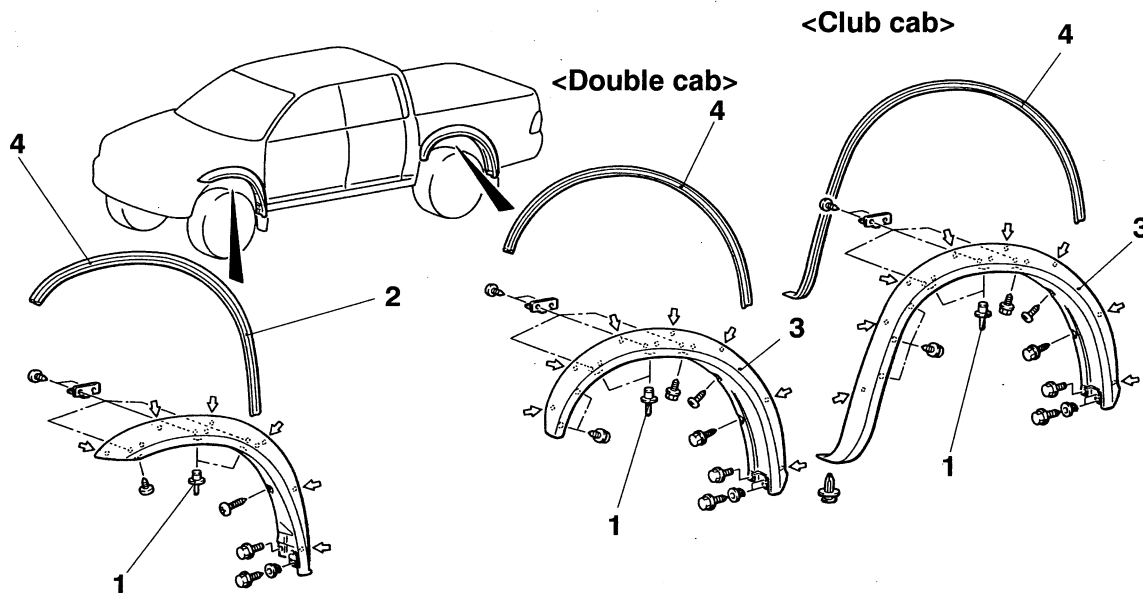
Side protect moulding 20 – 30°C

Apply pressure fully to the side protector moulding.

OVER FENDER

REMOVAL AND INSTALLATION

- Pre-removal and Post-installation Operation**
- Mud Guard Removal and Installation



W0470AA

↔ :Resin clip position

Removal steps



1. Rivet
2. Front flare
3. Rear flare
4. Protector

NOTE

For each service point, refer to the Basic Manual.

GROUP 51 EXTERIOR

GENERAL

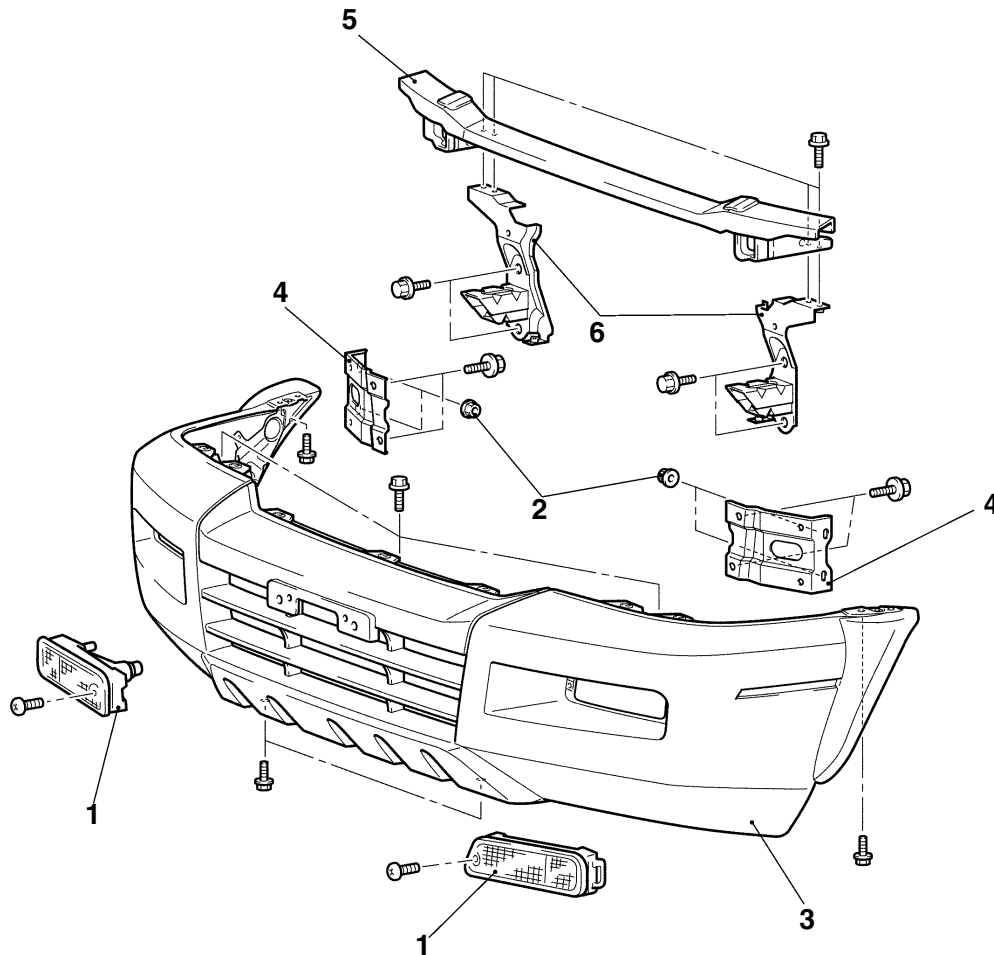
OUTLINE OF CHANGES

The following changes have been made. The same procedures as before are applied except for the items shown below:

- The separate front bumper has been united.
- The radiator grille design has been changed.
- The routing of the headlamp washer hoses has been changed.

FRONT BUMPER

REMOVAL AND INSTALLATION

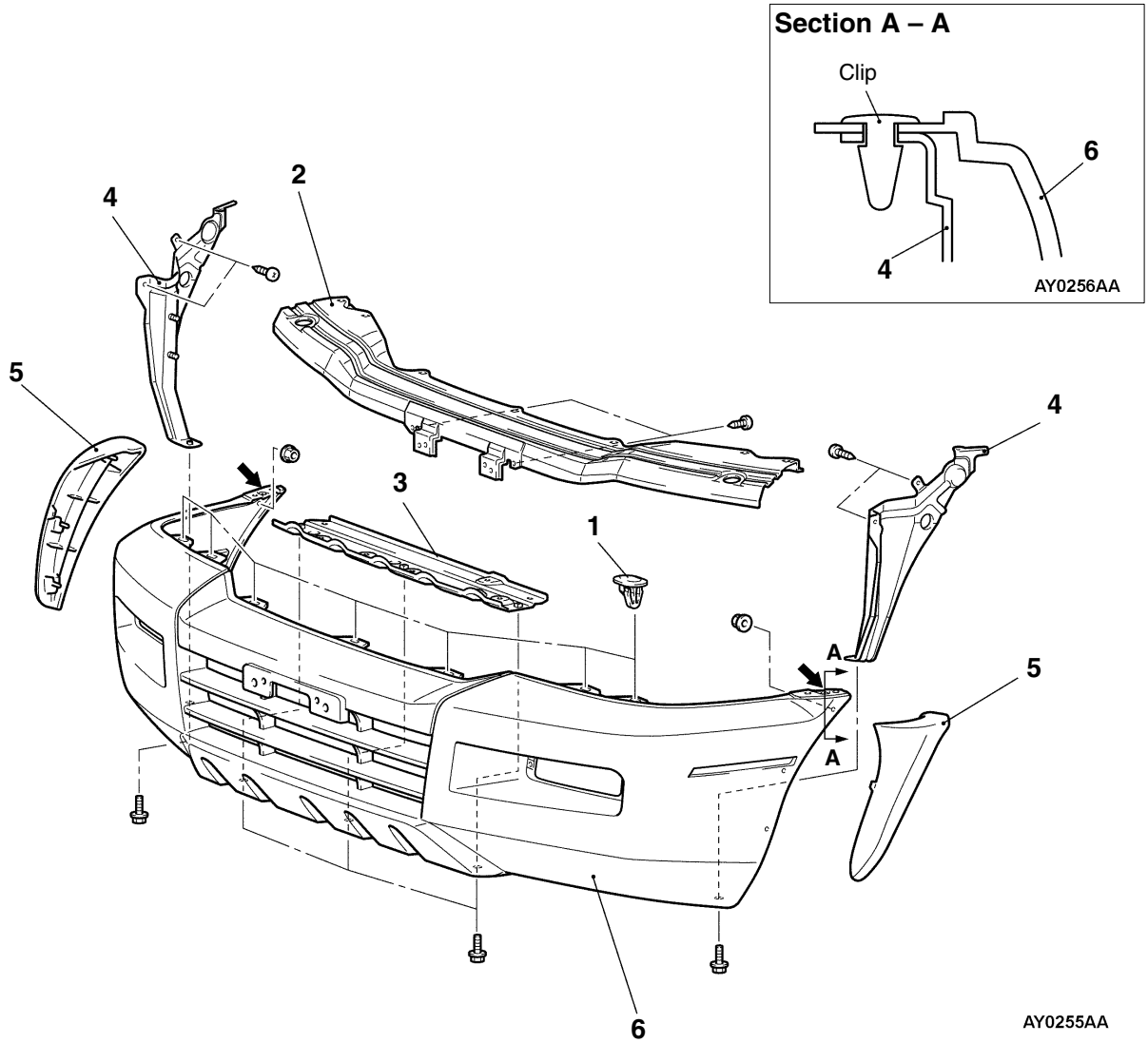


AY0254AA

Removal steps

- Radiator grille (Refer to P.51-3.)
 - Headlamp
1. Front combination lamp assembly
 2. Nut
 3. Front bumper assembly
 4. Front bumper side stay
 5. Front bumper beam assembly
 6. Front bumper support assembly

DISASSEMBLY AND REASSEMBLY



NOTE
 ←:Clips position

AY0255AA

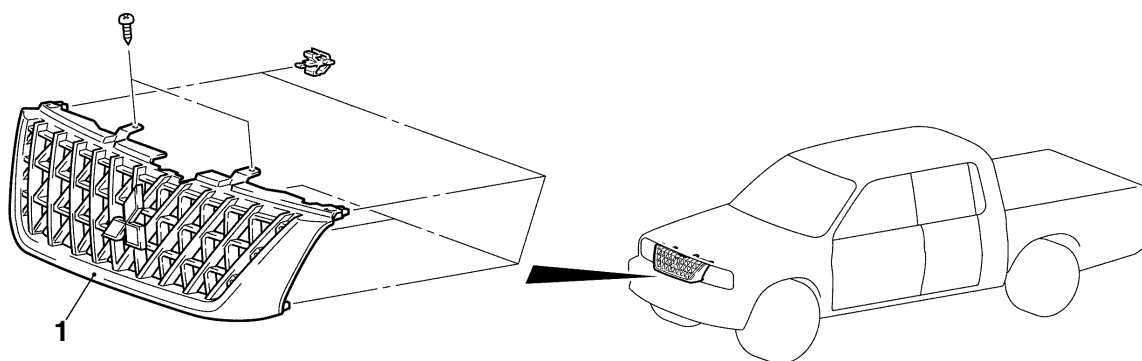
Disassembly steps

1. Clip
2. Front bumper reinforcement, upper
3. Front bumper reinforcement, lower
4. Front bumper reinforcement, side

5. Front bumper face side extension (Vehicle with over fender)
6. Front bumper face

RADIATOR GRILLE

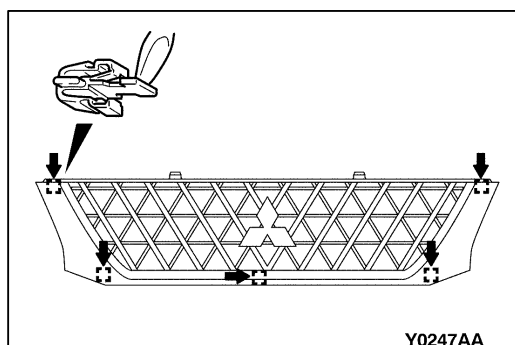
REMOVAL AND INSTALLATION



AY0246AA



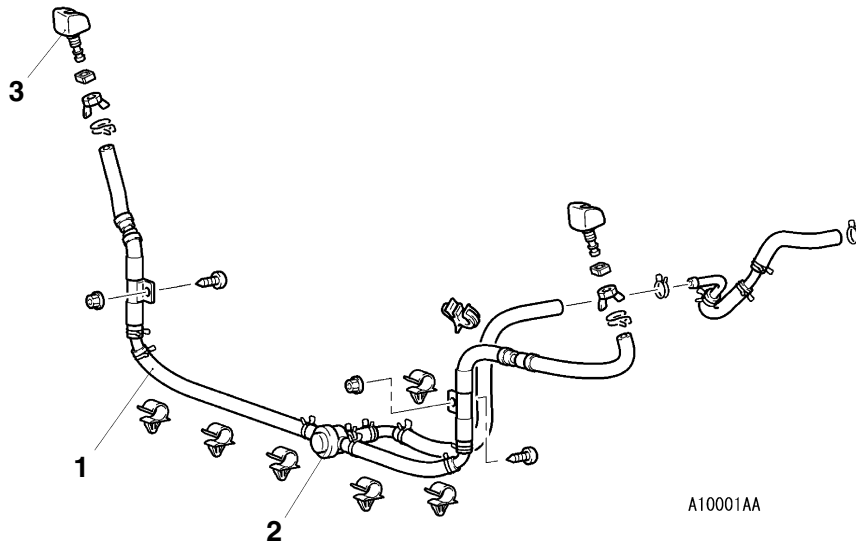
1. Radiator grille



REMOVAL SERVICE POINT

◀▶ REMOVAL OF RADIATOR GRILLE

1. Remove the screws on the top side of the radiator grille.
2. Remove the radiator grille by pushing its tab clips in the direction of the arrows with a flat-tipped screwdriver, while lightly pulling the radiator grille toward you.

HEADLAMP WASHER**REMOVAL AND INSTALLATION****Washer nozzle and check valve removal steps**

- Washer fluid draining
 - Front bumper (Refer to P.51-1.)
1. Washer hose

2. Check valve
3. Washer nozzle

NOTE

For inspection, refer to the Basic Manual.

GROUP 54 CHASSIS ELECTRICAL

GENERAL

OUTLINE OF CHANGE

The following service procedure of the immobilizer system has been changed. The same procedures as before are applied except for the items shown below.

- The troubleshooting has been changed due to the addition to the 4D56 engine which complies with emission regulation step III.

IMMOBILIZER SYSTEM

The same troubleshooting and ignition key registration method as 4G6 engine are applied except for the following.

Refer to 2000 L200 Workshop Manual. (Pub. No. PWTE96E1-D)

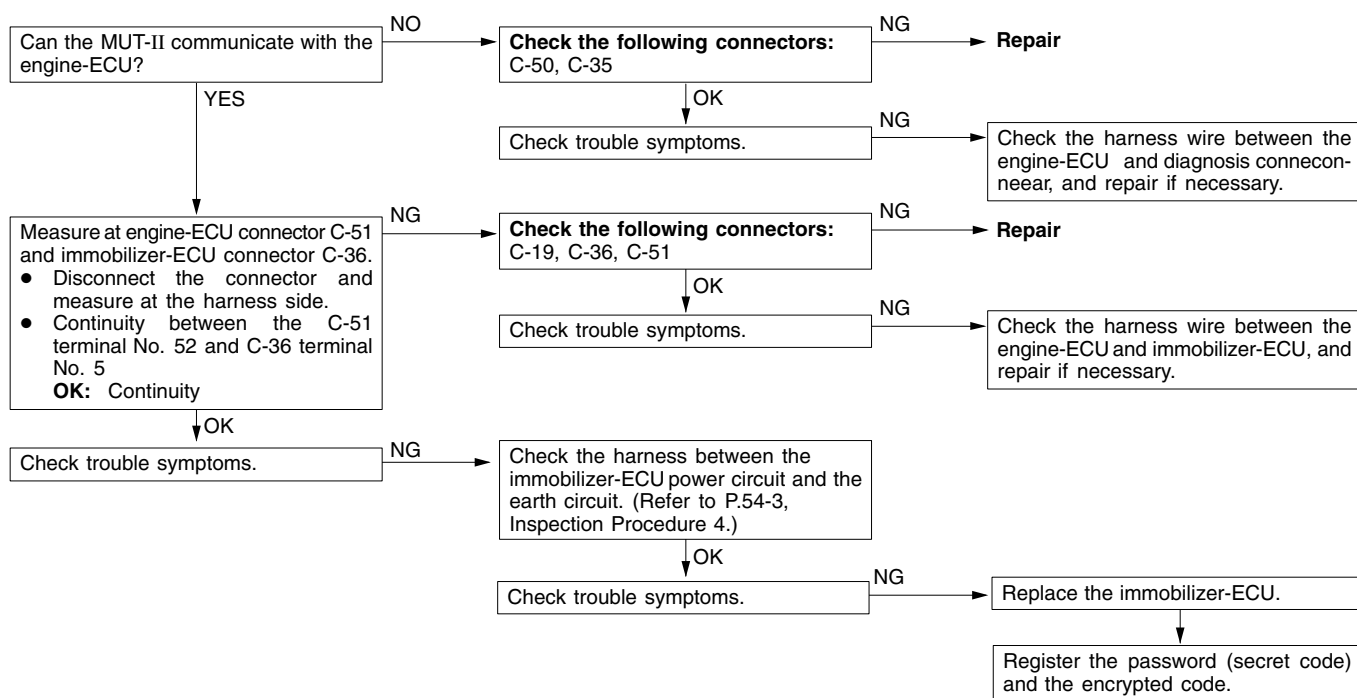
INSPECTION CHART FOR TROUBLE SYMPTOMS

Trouble symptom	Inspection procedure No.	Reference page
Communication with MUT-II is not possible.	1	54-1
Encrypted code cannot be registered using the MUT-II.	2	54-2
Engine does not start (Cranking but no initial combustion).	3	54-2
Malfunction of the immobilizer-ECU power source and earth circuit.	4	54-3

INSPECTION PROCEDURE FOR TROUBLE SYMPTOMS <4D56-Step III>

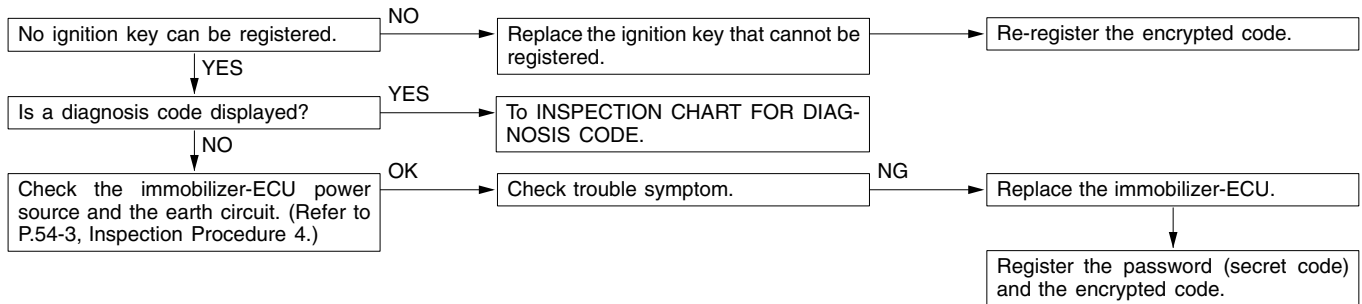
Inspection Procedure 1

Communication with MUT-II is impossible	Probable cause
The cause is probably that a malfunction of the diagnosis line or the immobilizer-ECU is not functioning.	<ul style="list-style-type: none"> • Malfunction of diagnosis line • Malfunction of harness or connector • Malfunction of immobilizer-ECU



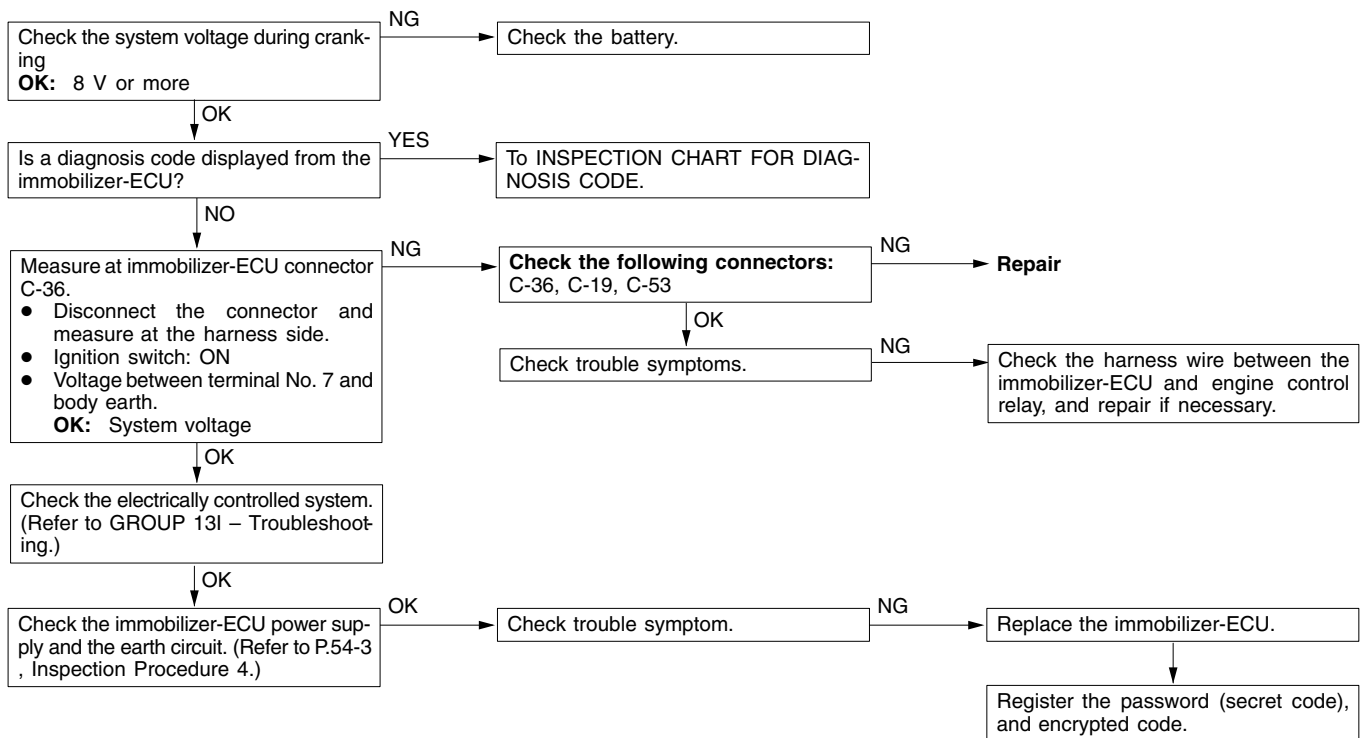
Inspection Procedure 2

Encrypted code cannot be registered using the MUT-II	Probable cause
The cause is probably that there is no encrypted code registered in the immobilizer-ECU or there is a malfunction of the immobilizer-ECU.	<ul style="list-style-type: none"> ● Malfunction of transponder ● Malfunction of ignition key ring antenna ● Malfunction of harness or connector ● Malfunction of immobilizer-ECU



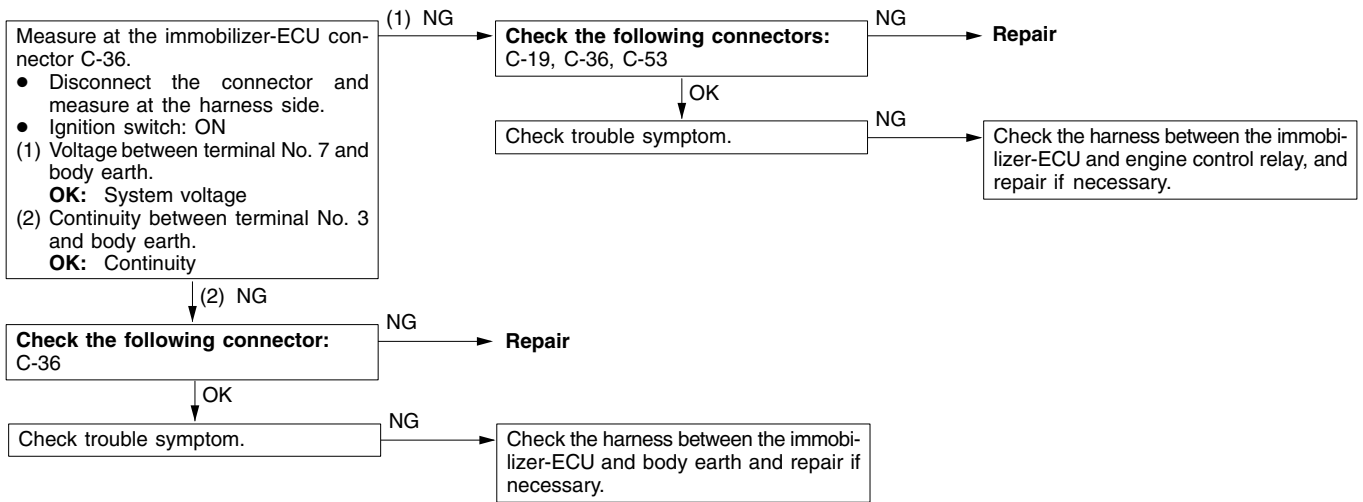
Inspection Procedure 3

Engine does not start (Cranking but no initial combustion).	Probable cause
If no fuel injection, there might be a problem with the fuel injection system in addition to a malfunction of the immobilizer system. It is normal for this to occur if an attempt is made to start the engine using a key that has not been properly registered.	<ul style="list-style-type: none"> ● Malfunction of diesel fuel injection system ● Malfunction of immobilizer-ECU



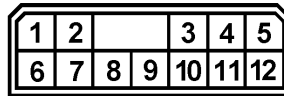
Inspection Procedure 4

Malfunction of the immobilizer-ECU power source and earth circuit



CHECK AT IMMOBILIZER-ECU

Terminal Voltage Check Chart



20F0191

Terminal No.	Signal	Checking requirements	Terminal voltage
3	Immobilizer-ECU earth	Always	0 V
7	Immobilizer-ECU power supply	Ignition switch: OFF or approx. 5 or more seconds after switch has been turned from ON to OFF.	0 V
		Ignition switch: ON or within approx. 5 or more seconds after switch has been turned from ON to OFF	System voltage

NOTES