

# GENERAL

## CONTENTS

1. ENGINE AND TRANSMISSION MODEL .....	00A-1-1
2. ENGINE MODEL AND SERIAL NUMBER .....	00A-2-1
3. PRECAUTIONS BEFORE SERVICE .....	00A-3-1
4. TIGHTENING TORQUE .....	00A-4-1

# 1. ENGINE AND TRANSMISSION MODEL

## EUROPE for 1990

Brand	Vehicle model	Engine					Fuel system	Transmission		
		Model (lit.)	Silent shaft	Camshaft	Lash adjuster	Turbo charger		Model	Type	4WD
Lancer station wagon	C12V	4G15-1 (1.5)	–	Single	–	–	CARB	F5M21-1	5M/T	–
								F3A21-2	3A/T	–
	C14V	4D65-1 (1.8)	X	Single	–	–	Diesel S-QGS	F5M21-1	5M/T	–
								F3A21-2	3A/T	–
	C37V	4G37-8 (1.8)	–	Single	–	–	CARB	W5M31-1	5M/T	X
								ELEC. CARB	W5M31-1	5M/T
Colt	C51V	4G13-1 (1.3)	–	Single	–	–	CARB	F4M21-1	4M/T	–
	C51A	4G13-1 (1.3)	–	Single	–	–	CARB	F4M21-1	4M/T	–
								F5M21-1	5M/T	–
	C52A	4G15-1 (1.5)	–	Single	–	–	CARB	F5M21-1	5M/T	–
								F3A21-2	3A/T	–
	C53A	4G61-0 (1.6)	–	Double	X	–	MPI	F5M21-1	5M/T	–
								F4A21-2	4A/T	–
	C54A	4D65-1 (1.8)	X	Single	–	–	Diesel S-QGS	F5M22-1	5M/T	–
	C58A	4G67-0 (1.8)	X	Double	X	–	MPI	F5M22-2	5M/T	–
	Lancer	C61A	4G13-1 (1.3)	–	Single	–	–	CARB	F4M21-1	4M/T
F5M21-1									5M/T	–
C62A		4G15-1 (1.5)	–	Single	–	–	CARB	F5M21-1	5M/T	–
								F3A21-2	3A/T	–
C63A		4G61-0 (1.6)	–	Double	X	–	MPI	F5M21-1	5M/T	–
								F4A21-2	4A/T	–
C64A	4D65-1 (1.8)	X	Single	–	–	Diesel S-QGS	F5M22-1	5M/T	–	

## EUROPE for 1990

Brand	Vehicle model	Engine					Fuel system	Transmission		
		Model (lit.)	Silent shaft	Camshaft	Lash adjuster	Turbo charger		Model	Type	4WD
Lancer	C65A	4G16-1 (1.2)	–	Single	–	–	CARB	F5M21-1	5M/T	–
	C68A	4G67-0 (1.8)	X	Double	X	–	MPI	F5M22-2	5M/T	–
	C77A	4G37-8 (1.8)	–	Single	–	–	MPI	W5M31-2	5M/T	X
Galant	E32A	4G37-7 (1.8)	X	Single	–	–	MPI	F5M22-1 F4A22-2	5M/T 4A/T	– –
	E39A	4G63-5 (2.0)	X	Double	X	–	MPI	W5M31-2	5M/T	X
Galant Hatch Back	E32A	4G37-7 (1.8)	X	Single	–	–	MPI	F5M22-1 F4A22-2	5M/T 4A/T	– –
	E39A	4G63-5 (2.0)	X	Double	X	–	MPI	W5M31-2	5M/T	X
Sapporo	E16AT	4G64-1 (2.4)	X	Single	X	–	MPI	F5M31-2 F4A22-1	5M/T 4A/T	– –
Space Wagon Van	D05V	4G37-7 (1.8)	X	Single	–	–	CARB	F5M21-1	5M/T	–
	D09V	4D65-1 (1.8)	X	Single	–	X	Diesel S-QGS	F5M22-1	5M/T	–
	D04W	4G63-3 (2.0)	X	Single	X	–	MPI	F5M22-1 F3A22-2	5M/T 3A/T	– –
	D05W	4G37-7 (1.8)	X	Single	–	–	CARB	F5M21-1 F3A21-2	5M/T 3A/T	– –
	D09W	4D65-1 (1.8)	X	Single	–	X	Diesel S-QGS	F5M22-1	5M/T	–
Space Wagon 4WD	D08W	4G63-3 (2.0)	X	Single	X	–	MPI	KM182-2	5M/T	X
							CRAB	KM182-2	5M/T	X
Pajero	L042G	4G54-1 (2.6)	X	Single	X	–	CARB	V5M21-4	5M/T	X
		G54B-1 (2.6)	X	Single	X	–	ELEC. CARB	V5M21-4	5M/T	X
	L047G	4G54-1 (2.6)	X	Single	X	–	CARB	V5M21-4	5M/T	X
	L049G	4D56-1 (2.5)	X	Single	–	X	Diesel	V5M21-4	5M/T	X
	L141G	6G72-1 (3.0)	–	Double	X	–	MPI	V5MT1-1	5M/T	X

## EUROPE for 1990

Brand	Vehicle model	Engine					Fuel system	Transmission		
		Model (lit.)	Silent shaft	Camshaft	Lash adjuster	Turbo charger		Model	Type	4WD
Pajero	L144G	4D56-1 (2.5)	X	Single	–	X	Diesel	V5MT1-1 V4AW2-1	5M/T 4A/T	X X
	L146G	6G72-1 (3.0)	–	Double	X	–	MPI	V5MT1-1 V4AW2-1	5M/T 4A/T	X X
	L149G	4D56-1 (2.5)	X	Single	–	X	Diesel	V5MT1-1 V4AW2-1	5M/T 4M/T	X X
Starion	A187A	G54B-1 (2.6)	X	Single	X	X	SPI	R5M21-4	5M/T	–
L200	K11T	4G32-8 (1.6)	–	Single	–	–	CARB	R5M21-1	5M/T	–
	K12T	4G63-3 (2.0)	X	Single	X	–	CARB	R5M21-1 KM132-H	5M/T 5M/T	– –
	K14T	4D56-1 (2.5)	X	Single	–	–	Diesel	R5M21-1	5M/T	–
L200 4WD	K22T K32T	4G63-3 (2.0)	X	Single	X	–	CARB	V5M21-1	5M/T	X
	K24T K34T	4D56-1 (2.5)	X	Single	–	–	Diesel	V5M21-1	5M/T	X
	K33T	G54B-1 (2.6)	X	Single	X	–	ELEC. CARB	V5M21-1	5M/T	X
L300	P02V P12V	4G32-8 (1.6)	–	Single	–	–	CARB	R5M21-2	5M/T	–
	L032P	4G32-8 (1.6)	–	Single	–	–	CARB	R5M21-3	5M/T	–
	P03V P03W	4G63-3 (2.0)	X	Single	X	–	CARB	R5M21-2	5M/T	–
	P13V						ELEC. CARB	R5M21-2	5M/T	–
	P05V P05W P15V	4D56-1 (2.5)	X	Single	–	–	Diesel	R5M21-2	5M/T	–
	L039P	4D56-1 (2.5)	X	Single	–	–	Diesel S-QGS	R5M21-3	5M/T	–

## EUROPE for 1990

Brand	Vehicle model	Engine					Fuel system	Transmission		
		Model (lit.)	Silent shaft	Camshaft	Lash adjuster	Turbo charger		Model	Type	4WD
L300 4WD	P23V P23W	4G63-3 (2.0)	X	Single	X	–	CARB	V5M21-2	5M/T	X
	P24V P24W	4G64-1 (2.4)	X	Single	X	–	MPI	V5M21-2	5M/T	X
	P25V P25W	4D56-1 (2.5)	X	Single	–	X	Diesel S-QGS	V5M21-2	5M/T	X

## GENERAL EXPORT for 1990

Brand	Vehicle model	Engine					Fuel system	Transmission		
		Model (lit.)	Silent shaft	Camshaft	Lash adjuster	Turbo charger		Model	Type	4WD
Lancer Station Wagon	C11V	4G13-1 (1.3)	–	Single	–	–	CARB	F4M21-1 F5M21-1	4M/T 5M/T	–
	C12V	4G15-1 (1.5)	–	Single	–	–	CARB	F5M21-1 F3A21-2	5M/T 3A/T	–
	C37V	4G37-8 (1.8)	–	Single	–	–	CARB	W5M31-1	5M/T	X
Colt	C51A	4G13-1 (1.3)	–	Single	–	–	CARB	F5M21-1	5M/T	–
	C52A	4G15-1 (1.5)	–	Single	–	–	CARB	F5M21-1 F3A21-2	5M/T 3A/T	–
	C53A	4G61-0 (1.6)	–	Double	X	–	MPI	F5M22-2	5M/T	–
	C54A	4D65-1 (1.8)	X	Single	–	–	Diesel S-QGS	F5M21-1	5M/T	–
Lancer	C61A	4G13-1 (1.3)	–	Single	–	–	CARB	F4M21-1 F5M21-1 F3A21-2	4M/T 5M/T 3A/T	– – –
	C62A	4G15-1 (1.5)	–	Single	–	–	CARB	F5M21-1 F3A21-2	5M/T 3A/T	– –
							MPI	F5M21-1 F4A21-2	5M/T 4A/T	– –
	C63A	4G61-0 (1.6)	–	Double	X	–	MPI	F5M22-2	5M/T	–
	C64A	4D65-1 (1.8)	X	Single	–	–	Diesel S-QGS	F5M21-1 F5M22-1	5M/T 5M/T	– –
Space Wagon	D05W	4G37-7 (1.8)	X	Single	–	–	CARB	F5M21-1 F3A21-2	5M/T 3A/T	– –
	D04W	4G63-3 (2.0)	X	Single	–	–	CARB	F5M22-1	5M/T	–
Galant	E15A	4G63-3 (2.0)	X	Single	–	–	CARB	F5M22-1	5M/T	–
	E16A	4G64-1 (2.4)	X	Single	–	–	MPI	F5M31-2 F4A22-1	5M/T 4A/T	– –
Galant	E32A	4G37-7 (1.8)	X	Single	–	–	CARB	F5M22-1 F4A21-2	5M/T 4A/T	– –
	E33A	4G63-3 (2.0)	X	Single	–	–	CARB	F5M22-1 F4A22-2	5M/T 4A/T	– –
		4G63-5 (2.0)	X	Double	X	–	MPI	F5M22-2	5M/T	–

## GENERAL EXPORT for 1990

Brand	Vehicle model	Engine					Fuel system	Transmission		
		Model (lit.)	Silent shaft	Camshaft	Lash adjuster	Turbo charger		Model	Type	4WD
Pajero	L042G L047G	4G54-1 (2.6)	–	Single	–	–	CARB	V5M21-4 V4AW2-1	5M/T 4A/T	X X
	L044G	4D56-1 (2.5)	X	Single	–	–	Diesel	V5M21-4	5M/T	X
	L049G	4D56-1 (2.5)	X	Single	–	–	Diesel Diesel	V5M21-4 V5M21-4	5M/T 5M/T	X X
	L146G	6G72-1 (3.0)	–	Double	X	–	MPI	V5MT1-1 V4AW2-1	5M/T 4A/T	X X
Starion	A183A	4G63-0 (2.0)	X	Single	–	X	SPI	R5M21-4	5M/T	–
L200	K01T K11T	4G32-8 (1.6)	–	Single	–	–	CARB	R4M21-1	4M/T	–
	K02T K12T	4G63-4 (2.0)	–	Single	–	–	CARB	R5M21-1	5M/T	–
	K14T	4D56-1 (2.5)	X	Single	–	–	Diesel	R5M21-1	5M/T	–
L200 4WD	K22T K32T	4G63-4 (2.0)	–	Single	–	–	CARB	V5M21-1	5M/T	X
	K24T K34T	4D56-1 (2.5)	X	Single	–	–	Diesel	V5M21-1	5M/T	X
L300	P01V P01W	4G33-8 (1.4)	–	Single	–	–	CARB	R4M21-2	4M/T	–
	P02V P12V P12W	4G32-8 (1.6)	–	Single	–	–	CARB	R4M21-2	4M/T	–
	P02W	4G32-8 (1.6)	–	Single	–	–	CARB	R5M21-2	5M/T	–
	P03W P13W	4G63-4 (2.0)	–	Single	–	–	CARB	R5M21-2 R4AW2-2	5M/T 4A/T	– –
	P05V P05W P15V P15W	4D56-1 (2.5)	–	Single	–	–	Diesel	R5M21-2	5M/T	–
L300 4WD	P23W	4G63-4 (2.0)	–	Single	–	–	CARB	V5M21-2	5M/T	X

## AUSTRALIA for 1990

Brand	Vehicle model	Engine					Fuel system	Transmission		
		Model (lit.)	Silent shaft	Camshaft	Lash adjuster	Turbo charger		Model	Type	4WD
Lancer	C52A	4G15-1 (1.5)	–	Single	–	–	MPI	F5M21-1	5M/T	–
								F4A21-2	4A/T	–
	C62A	4G15-1 (1.5)	–	Single	–	–	CARB	F5M21-1 F3A21-2	5M/T 3A/T	– –
							MPI	F5M21-1 F4A21-2	5M/T 4A/T	– –
Space Wagon	D04W	4G63-3 (2.0)	X	Single	X	–	CARB	F5M22-1 F3A22-2	5M/T 3A/T	– –
Pajero	L042G L047G	4G54-1 (2.6)	X	Single	X	–	CARB	V5M21-4	5M/T	X
	L049G	4D56-1 (2.5)	X	Single	–	X	Diesel	V5M21-4	5M/T	X
	L149G	4D56-1 (2.5)	X	Single	–	X	Diesel	V5MT1-1	5M/T	X
	L146G	6G72-1 (3.0)	–	Double	X	–	MPI	V5MT1-1 V4AW2-1	5M/T 4A/T	X X
L200	K13T	4G54-1 (2.6)	X	Single	X	–	CARB	R5M21-1	5M/T	–
	K14T	4D56-1 (2.5)	X	Single	–	–	Diesel	R5M21-1	5M/T	–
L200 4WD	K33T	4G54-1 (2.6)	X	Single	X	–	CARB	V5M21-1	5M/T	X
	K34T	4D56-1 (2.6)	X	Single	–	–	Diesel	V5M21-1	5M/T	X
L300	P03V P03W P13V	4G63-3 (2.0)	X	Single	X	–	CARB	R5M21-2 R4AW2-2	5M/T 4A/T	– –
	P04W	4G64-1 (2.4)	X	Single	X	–	MPI	R5M21-2 R4AW2-2	5M/T 4A/T	– –
	P05V P15V	4D56-1 (2.5)	X	Single	–	–	Diesel	R5M21-2	5M/T	–
L300 4WD	P24V P24W	4G64-1 (2.4)	X	Single	X	–	MPI	V5M21-2	5M/T	X



## EUROPE for 1991

Brand	Vehicle model	Engine					Fuel system	Transmission		
		Model (lit.)	Silent shaft	Camshaft	Lash adjuster	Turbo charger		Model	Type	4WD
Lancer Station Wagon	C12V	4G15-2 (1.5)	–	Single	–	–	CARB	F5M21-1	5M/T	–
								F3A21-2	3A/T	–
	C14V	4D65-1 (1.8)	X	Single	–	–	Diesel S-QGS	F5M22-1	5M/T	–
C37V	4G37-8 (1.8)	–	Single	–	–	CARB	W5M31-1	5M/T	X	
							MPI	W5M31-1	5M/T	X
Colt	C51V	4G13-2 (1.3)	–	Single	–	–	CARB	F5M21-1	5M/T	–
	C51A	4G13-2 (1.3)	–	Single	–	–	CARB	F5M21-1	5M/T	–
								ELEC. CARB	F5M21-1	5M/T
	C52A	4G15-2 (1.5)	–	Single	–	–	CARB	F5M21-1	5M/T	–
								F3A21-2	3A/T	–
	C54A	4D65-1 (1.8)	X	Single	–	–	Diesel S-QGS	F5M22-1	5M/T	–
	C58A	4G67-0 (1.8)	X	Double	X	–	MPI	F5M22-2	5M/T	–
C87A	4G37-8 (1.8)	–	Single	–	–	MPI	W5M31-2	5M/T	X	
Lancer	C61A	4G13-2 (1.3)	–	Single	–	–	CARB	F5M21-1	5M/T	–
								ELEC. CARB	F5M21-1	5M/T
	C62A	4G15-2 (1.5)	–	Single	–	–	CARB	F5M21-1	5M/T	–
								F3A21-2	3A/T	–
	C64A	4D65-1 (1.8)	X	Single	–	–	Diesel S-QGS	F5M22-1	5M/T	–
C65A	4G16-1 (1.2)	–	Single	–	–	CARB	F5M21-1	5M/T	–	
C68A	4G67-0 (1.8)	X	Double	X	–	CARB	F5M22-2	5M/T	–	

## EUROPE for 1991

Brand	Vehicle model	Engine					Fuel system	Transmission		
		Model (lit.)	Silent shaft	Camshaft	Lash adjuster	Turbo charger		Model	Type	4WD
Lancer	C77A	4G37-8 (1.8)	–	Single	–	–	MPI	W5M31-2	5M/T	X
Galant	E31A	4G32-8 (1.6)	–	Single	–	–	CARB	F5M21-1	5M/T	–
	E32A	4G37-7 (1.8)	X	Single	–	–	CARB	F5M22-1 F4A21-2	5M/T 4A/T	– –
							MPI	F5M22-1 F4A22-2	5M/T 4A/T	– –
	E33A	4G63-3 (2.0)	X	Single	X	–	MPI	F5M22-1 F4A22-2	5M/T 4A/T	– –
		4G63-5 (2.0)	X	Double	X	–	MPI	F5M22-2	5M/T	–
	E34A	4D65-1 (1.8)	X	Single	–	X	Diesel S-QGS	F5M31-1 F4A21-2	5M/T 4A/T	– –
	E38A	4G63-3 (2.0)	X	Single	X	–	MPI	W5M31-2	5M/T	X
	E39A	4G63-3 (2.0)	X	Single	X	–	MPI	W5M31-2	5M/T	X
4G63-5 (2.0)		X	Double	X	–	MPI	W5M31-2	5M/T	X	
Space Wagon Van	D05V	4G37-7 (1.8)	X	Single	–	–	CARB	F5M21-1	5M/T	–
	D09V	4D65-1 (1.8)	X	Single	–	X	Diesel S-QGS	F5M22-1	5M/T	–
	D04W	4G63-3 (2.0)	X	Single	X	–	MPI	F5M22-1 F3A22-2	5M/T 3A/T	– –
	D05W	4G37-7 (1.8)	X	Single	–	–	CARB	F5M21-1 F3A21-2	5M/T 3A/T	– –
	D09W	4D65-1 (1.8)	X	Single	–	X	Diesel S-QGS	F5M22-1	5M/T	–
Space Wagon 4WD	D08W	4G63-3 (2.0)	X	Single	X	–	CARB	KM182-2	5M/T	X
							MPI	KM182-2	5M/T	X
Pajero	V21C	4G64-1 (2.4)	X	Single	X	–	MPI	V5M21-5	5M/T	X
	V23C	6G72-1 (3.0)	–	Double	X	–	MPI	V4AW2-3	4A/T	X
	V24C	4D56-1 (2.5)	X	Single	–	X	Diesel	V5MT1-3	5M/T	X

## EUROPE for 1991

Brand	Vehicle model	Engine					Fuel system	Transmission		
		Model (lit.)	Silent shaft	Camshaft	Lash adjuster	Turbo charger		Model	Type	4WD
Pajero	V24V V44V	4D56-1 (2.5)	X	Single	–	X	Diesel	V5MT1-3	5M/T	X
	V21W	4G64-1 (2.4)	X	Single	X	–	MPI	V5M21-5	5M/T	X
	V23W	6G72-1 (3.0)	–	Double	X	–	MPI	V4AW2-3	4A/T	X
	V24W	4D56-1 (2.5)	X	Single	–	X	Diesel	V5MT1-3	5M/T	X
	V41W	4G64-1 (2.4)	X	Single	X	–	MPI	V5M21-5	5M/T	X
	V43W	6G72-1 (3.0)	–	Double	X	–	MPI	V5MT1-3 V4AW2-3	5M/T 4A/T	X X
	V44W	4D56-1 (2.5)	X	Single	–	X	Diesel	V5MT1-3 V4AW2-3	5M/T 4A/T	X X
L200	K11T	4G32-8 (1.6)	–	Single	–	–	CARB	R5M21-1	5M/T	–
	K12T	4G63-3 (2.0)	X	Single	X	–	CARB	R5M21-1	5M/T	–
	K14T	4D56-1 (2.5)	X	Single	–	–	Diesel	R5M21-1	5M/T	–
L200 4WD	K22T K32T	4G63-3 (2.0)	X	Single	X	–	CARB	V5M21-1	5M/T	X
	K24T K34T	4D56-1 (2.5)	X	Single	–	–	Diesel	V5M21-1	5M/T	X
	K33T	G54B-1 (2.6)	X	Single	X	–	ELEC. CARB	V5M21-1	5M/T	X
L300	P02V P12V	4G32-8 (1.6)	–	Single	–	–	CARB	R5M21-2	5M/T	–
	L032P	4G32-8 (1.6)	–	Single	–	–	CARB	R5M21-3	5M/T	–
	P03W	4G63-3 (2.0)	X	Single	X	–	CARB	R5M21-2	5M/T	–
							ELEC. CARB	R5M21-2	5M/T	–
	P03V	4G63-3 (2.0)	X	Single	X	–	ELEC. CARB	R5M21-2	5M/T	–
	P13V	4G63-3 (2.0)	X	Single	X	–	CARB	R5M21-2	5M/T	–
ELEC. CARB							R5M21-2	5M/T	–	

## EUROPE for 1991

Brand	Vehicle model	Engine					Fuel system	Transmission		
		Model (lit.)	Silent shaft	Camshaft	Lash adjuster	Turbo charger		Model	Type	4WD
L300	P04W	4G64-1 (2.4)	X	Single	X	–	MPI	R5M21-2	5M/T	–
	P05V P05W P15V	4D56-1 (2.5)	X	Single	–	–	Diesel	R5M21-2	5M/T	–
	L039P	4D56-1 (2.5)	–	Single	–	–	Diesel	R5M21-3	5M/T	–
							Diesel S-QGS	R5M21-3	5M/T	–
L300 4WD	P23V P23W	4G63-3 (2.0)	X	Single	X	–	CARB	V5M21-2	5M/T	X
	P24V P24W	4G64-1 (2.4)	X	Single	X	–	ELEC. CARB	V5M21-2	5M/T	X
	P25V P25W	4D56-1 (2.5)	X	Single	–	X	Diesel S-QGS	V5M21-2	5M/T	X
Sigma	F16A	6G72-1 (3.0)	–	Double	X	–	MPI	F5M33-2 F4A33-1	5M/T 4A/T	– –
		6G72-4 (3.0)	–	Four	X	–	MPI	F5M33-2 F4A33-1	5M/T 4A/T	– –
Eclipse	D22A	4G63-5 (2.0)	X	Double	X	–	MPI	F5M31-2	5M/T	–
	D27A	4G63-5 (2.0)	X	Double	X	–	MPI	W5M31-2	5M/T	X

## GENERAL EXPORT for 1991

Brand	Vehicle model	Engine					Fuel system	Transmission		
		Model (lit.)	Silent shaft	Camshaft	Lash adjuster	Turbo charger		Model	Type	4WD
Lancer Station Wagon	C11V	4G13-2 (1.3)	–	Single	–	–	CARB	F4M21-1	4M/T	–
								F5M21-1	5M/T	–
	C12V	4G15-2 (1.5)	–	Single	–	–	CARB	F5M21-1 F3A21-2	5M/T 3A/T	– –
	C37V	4G37-8 (1.8)	–	Single	–	–	CARB	W5M31-1	5M/T	X
Colt	C51A	4G13-2 (1.3)	–	Single	–	–	CARB	F5M21-1	5M/T	–
	C52A	4G15-2 (1.5)	–	Single	–	–	CARB	F5M21-1 F3A21-2	5M/T 3A/T	– –
	C54A	4D65-1 (1.8)	X	Single	–	–	Diesel S-QGS	F5M21-1	5M/T	–
	C58A	4G67-0 (1.8)	X	Double	X	–	MPI	F5M22-2	5M/T	–
Lancer	C61A	4G13-2 (1.3)	–	Single	–	–	CARB	F4M21-1	4M/T	–
								F5M21-1	5M/T	–
								F3A21-2	3A/T	–
	C62A	4G15-2 (1.5)	–	Single	–	–	CARB	F5M21-1 F3A21-2	5M/T 3A/T	– –
								MPI	F5M21-1 F4A21-2	5M/T 4A/T
C64A	4D65-1 (1.8)	X	Single	–	–	Diesel S-QGS	F5M21-1 F5M22-1	5M/T 5M/T	– –	
C68A	4G67-0 (1.8)	X	Double	X	–	MPI	F5M22-2	5M/T	–	
Space Wagon	D05W	4G37-7 (1.8)	X	Single	–	–	CARB	F5M21-1 F3A21-2	5M/T 3A/T	–
	D04W	4G63-3 (2.0)	X	Single	–	–	CARB	F5M22-1	5M/T	–
Galant	E15A	4G63-3 (2.0)	X	Single	–	–	CARB	F5M22-1	5M/T	–
Galant	E31A	4G32-8 (1.6)	–	Single	–	–	CARB	F5M21-1	5M/T	–
								F4A21-2	4A/T	–
	E32A	4G37-7 (1.8)	X	Single	–	–	CARB	F5M22-1	5M/T	–
								F4A21-2	4A/T	–
	E33A	4G63-3 (2.0)	X	Single	–	–	CARB	F5M22-1	5M/T	–
F4A22-2								4A/T	–	
MPI								F5M22-1 F4A22-2	5M/T 4A/T	– –
	4G63-5 (2.0)	X	Double	X	–	MPI	F5M22-2	5M/T	–	
							F4A22-2	4A/T	–	

## GENERAL EXPORT for 1991

Brand	Vehicle model	Engine					Fuel system	Transmission			
		Model (lit.)	Silent shaft	Camshaft	Lash adjuster	Turbo charger		Model	Type	4WD	
Galant	E39A	4G63-5 (2.0)	X	Double	X	X	MPI	W5M33-2	5M/T	X	
Pajero	L042G	4G54-1 (2.6)	–	Single	–	–	CARB	V5M21-4	5M/T	X	
	L044G	4D56-1 (2.5)	X	Single	–	–	Diesel	V5M21-4	5M/T	X	
	L047G	4G54-1 (2.6)	–	Single	–	–	CARB	V5M21-4 V4AW2-1	5M/T 4A/T	X X	
	L049G	4D56-1 (2.5)	X	Single	–	– X	Diesel Diesel	V5M21-4 V5M21-4	5M/T 5M/T	X X	
	L146G	6G72-1 (3.0)	–	Double	X	–	MPI	V5MT1-1 V4AW2-1	5M/T 4A/T	X X	
	V12C V12V V12W V32V	4G54-1 (2.6)	–	Single	–	–	CARB	V5M21-5	5M/T	X	
	V14C V14V V34V	4D56-1 (2.5)	X	Single	–	–	Diesel	V5M21-5	5M/T	X	
	V23W V43W	6G72-1 (3.0)	–	Double	X	–	MPI	V5MT1-3	5M/T	X	
	V24W V44W	4D56-1 (2.5)	X	Single	–	–	X	Diesel	V5MT1-3	5M/T	X
	V32W	4G54-1 (2.6)	–	Single	–	–	–	CARB	V5M21-3 V4AW2-3	5M/T 4A/T	X X
L200	K01T K11T	4G32-8 (1.6)	–	Single	–	–	CARB	R4M21-1	4M/T	–	
	K02T K12T	4G63-4 (2.0)	–	Single	–	–	CARB	R5M21-1	5M/T	–	
	K03T K13T	4G54-1 (2.6)	–	Single	–	–	CARB	R5M21-1	5M/T	–	
	K14T	4D56-1 (2.5)	X	Single	–	–	Diesel	R5M21-1	5M/T	–	
L200 4WD	K22T K32T	4G63-4 (2.0)	–	Single	–	–	CARB	V5M21-1	5M/T	X	
	K24T K34T	4D56-1 (2.5)	X	Single	–	–	Diesel	V5M21-1	5M/T	X	

## GENERAL EXPORT for 1991

Brand	Vehicle model	Engine					Fuel system	Transmission		
		Model (lit.)	Silent shaft	Camshaft	Lash adjuster	Turbo charger		Model	Type	4WD
L300	P01V P01W	4G33-8 (1.4)	–	Single	–	–	CARB	R4M21-2	4M/T	–
	P02V P12V P12W	4G32-8 (1.6)	–	Single	–	–	CARB	R4M21-2	4M/T	–
	P03V P13V P13W	4G63-4 (2.0)	–	Single	–	–	CARB	R5M21-2	5M/T	–
	P03W	4G63-4 (2.0)	–	Single	–	–	CARB	R5M21-2 R4AW2-2	5M/T 4A/T	–
	P05V P15V P15W	4D56-1 (2.5)	X	Single	–	–	Diesel	R5M21-2	5M/T	–
	P05W	4D56-1 (2.5)	X	Single	–	–	Diesel	R5M21-2 R4AW2-2	5M/T 4A/T	–
L300 4WD	P23W	4G63-4 (2.0)	–	Single	–	–	CARB	V5M21-2	5M/T	X

## AUSTRALIA for 1991

Brand	Vehicle model	Engine					Fuel system	Transmission		
		Model (lit.)	Silent shaft	Camshaft	Lash adjuster	Turbo charger		Model	Type	4WD
Lancer	C52A	4G15-2 (1.5)	–	Single	–	–	MPI	F5M21-1	5M/T	–
								F4A21-2	4A/T	–
	C53A C63A	4G61-0 (1.6)	–	Double	X	–	MPI	F5M22-2	5M/T	–
C62A	4G15-2 (1.5)	–	Single	–	–	CARB	F5M21-1 F3A21-2	5M/T 3A/T	– –	
						MPI	F5M21-1 F4A21-2	5M/T 4A/T	– –	
Galant	E33A	4G63-3 (2.0)	X	Single	X	–	MPI	F5M22-1 F4A22-2	5M/T 4A/T	– –
		4G63-5 (2.0)	X	Double	X	–	MPI	F5M22-2 F4A22-2	5M/T 4A/T	– –
	E39A	4G63-5 (2.0)	X	Double	X	X	MPI	W5M33-2	5M/T	X
Space Wagon	D04W	4G63-3 (2.0)	X	Single	X	–	CARB	F5M22-1 F3A22-2	5M/T 3A/T	– –
Pajero	V12W V32W	4G54-1 (2.6)	X	Single	X	–	CARB	V5M21-5	5M/T	X
	V23W	6G72-1 (3.0)	–	Double	X	–	MPI	V5MT1-3	5M/T	X
	V43W	6G72-1 (3.0)	–	Double	X	–	MPI	V5MT1-3 V4AW2-3	5M/T 4A/T	X X
V44W	4D56-1 (2.5)	X	Single	–	X	Diesel Diesel	V5M21-5 V5MT1-3	5M/T 5M/T	X X	
L200	K13T	4G54-1 (2.6)	X	Single	X	–	CARB	R5M21-1	5M/T	–
	K14T	4D56-1 (2.5)	X	Single	–	–	Diesel	R5M21-1	5M/T	–
L200 4WD	K33T	4G54-1 (2.6)	X	Single	X	–	CARB	V5M21-1	5M/T	X
	K34T	4D56-1 (2.5)	X	Single	–	X	Diesel	V5M21-1	5M/T	X
	K36T	6G72-1 (3.0)	–	Double	X	–	MPI	V5MT1-2	5M/T	X
L300	P03V P03W	4G63-3 (2.0)	X	Single	X	–	CARB	R5M21-2 R4AW2-2	5M/T 4A/T	– –
	P05V P15V	4D56-1 (2.5)	X	Single	–	–	Diesel S-QGS	R5M21-2 R4AW2-2	5M/T 4A/T	– –



## AUSTRALIA for 1991

Brand	Vehicle model	Engine					Fuel system	Transmission		
		Model (lit.)	Silent shaft	Camshaft	Lash adjuster	Turbo charger		Model	Type	4WD
L300	P04W	4G64-1 (2.4)	X	Single	X	–	MPI	R5M21-2 R4AW2-2	5M/T 4A/T	– –
L300 4WD	P24V P24W	4G64-1 (2.4)	X	Single	X	–	MPI	V5M21-2	5M/T	X
Sigma	F06A	4G54-1 (2.6)	X	Single	X	–	CARB	F5M31-2 F4A23-2	5M/T 4A/T	– –
							MPI	F5M31-2 F4A33-1	5M/T 4A/T	– –
	F07A	6G72-1 (3.0)	–	Double	X	–	MPI	F4A33-1	4A/T	–

## EUROPE for 1992

Brand	Vehicle model	Engine					Fuel system	Transmission		
		Model (lit.)	Silent shaft	Camshaft	Lash adjuster	Turbo charger		Model	Type	4WD
Colt	CA1A	4G13-2 (1.3)	–	Single	–	–	MPI	F5M21-1	5M/T	–
	CA4A	4G92-0 (1.6)	–	Single	–	–	MPI	F5M22-2 F4A22-2	5M/T 4A/T	– –
	CA5A	4G93-1 (1.8)	–	Double	X	–	MPI	F5M22-2	5M/T	–
	CC4A	4G92-0 (1.6)	–	Single	–	–	MPI	W5M31-2	5M/T	X
Space Runner	N11W	4G93-0 (1.8)	–	Single	–	–	MPI	F5M22-1 F4A22-2	5M/T 4A/T	– –
	N21W	4G93-0 (1.8)	–	Single	–	–	MPI	W5M31-2	5M/T	X
Space Wagon	N31W	4G93-0 (1.8)	–	Single	–	–	MPI	F5M22-1 F4A22-2	5M/T 4A/T	– –
	N35W	4D65-1 (1.8)	X	Single	–	X	Diesel	F5M31-1	5M/T	–
	N41W	4G93-0 (1.8)	–	Single	–	–	MPI	W5M31-2 W4A32-1	5M/T 4A/T	X X
Galant	E31A	4G32-8 (1.6)	–	Single	–	–	CARB	F5M21-1	5M/T	–
	E32A	4G37-7 (1.8)	X	Single	–	–	CARB	F5M22-1 F4A21-2	5M/T 4A/T	– –
							MPI	F5M22-1 F4A22-2	5M/T 4A/T	– –
	E33A	4G63-3 (2.0)	X	Single	X	–	MPI	F5M22-1 F4A22-2	5M/T 4A/T	– –
		4G63-5 (2.0)	X	Double	X	–	MPI	F5M22-2	5M/T	–
	E34A	4D65-1 (1.8)	X	Single	–	X	Diesel S-QGS	F5M31-1 F4A21-2	5M/T 4A/T	– –
	E38A	4G63-3 (2.0)	X	Single	X	–	MPI	W5M31-2	5M/T	X
	E39A	4G63-3 (2.0)	X	Single	X	–	MPI	W5M31-2	5M/T	X
4G63-5 (2.0)		X	Double	X	–	MPI	W5M31-2	5M/T	X	

## EUROPE for 1992

Brand	Vehicle model	Engine					Fuel system	Transmission		
		Model (lit.)	Silent shaft	Camshaft	Lash adjuster	Turbo charger		Model	Type	4WD
L200	K11T	4G32-8 (1.6)	–	Single	–	–	CARB	R5M21-1	5M/T	–
	K12T	4G63-3 (2.0)	X	Single	X	–	CARB	R5M21-1	5M/T	–
	K14T	4D56-1 (2.5)	X	Single	–	–	Diesel	R5M21-1	5M/T	–
L200 4WD	K22T K32T	4G63-3 (2.0)	X	Single	X	–	CARB	V5M21-1	5M/T	X
	K24T K34T	4D56-1 (2.5)	X	Single	–	–	Diesel	V5M21-1	5M/T	X
	K33T	G54B-1 (2.6)	X	Single	X	–	ELEC. CARB	V5M21-1	5M/T	X
L300	P02V P12V	4G32-8 (1.6)	–	Single	–	–	CARB	R5M21-2	5M/T	–
	L032P	4G32-8 (1.6)	–	Single	–	–	CARB	R5M21-3	5M/T	–
	P03W	4G63-3 (2.0)	X	Single	X	–	CARB	R5M21-2	5M/T	–
								R4AW2-2	4A/T	–
	P03V	4G63-3 (2.0)	X	Single	X	–	ELEC. CARB	R5M21-2	5M/T	–
								R5M21-2	5M/T	–
	P13V	4G63-3 (2.0)	X	Single	X	–	CARB	R5M21-2	5M/T	–
								R5M21-2	5M/T	–
	P04V P04W P14V	4G64-1 (2.4)	X	Single	X	–	MPI	R5M21-2	5M/T	–
								R5M21-2	5M/T	–
P05V P05W P15V	4D56-1 (2.5)	X	Single	–	–	Diesel	R5M21-2	5M/T	–	
							R5M21-2	5M/T	–	
L039P	4D56-1 (2.5)	X	Single	–	–	Diesel	R5M21-3	5M/T	–	
							R5M21-3	5M/T	–	
						Diesel S-QGS	R5M21-3	5M/T	–	

## EUROPE for 1992

Brand	Vehicle model	Engine					Fuel system	Transmission		
		Model (lit.)	Silent shaft	Camshaft	Lash adjuster	Turbo charger		Model	Type	4WD
L300 4WD	P23V P23W	4G63-3 (2.0)	X	Single	X	–	ELEC. CARB	V5M21-2	5M/T	X
	P24V P24W	4G64-1 (2.4)	X	Single	X	–	MPI	V5M21-2	5M/T	X
	P25V P25W P45V	4D56-1 (2.5)	X	Single	–	X	Diesel S-QGS	V5M21-2	5M/T	X
Sigma	F16A	6G72-1 (3.0)	–	Double	X	–	MPI	F5M33-2 F4A33-1	5M/T 4A/T	– –
		6G72-4 (3.0)	–	Four	X	–	MPI	F5M33-2 F4A33-1	5M/T 4A/T	– –

## GENERAL EXPORT for 1992

Brand	Vehicle model	Engine					Fuel system	Transmission		
		Model (lit.)	Silent shaft	Camshaft	Lash adjuster	Turbo charger		Model	Type	4WD
Colt	CA1A	4G13-2 (1.3)	–	Single	–	–	CARB	F5M21-1	5M/T	–
	CB1A	4G13-2 (1.3)	–	Single	–	–	CARB	F5M21-1 F3A21-2	5M/T 3A/T	– –
							ELEC CARB	F5M21-1 F3A21-2	5M/T 3A/T	– –
							MPI	F5M21-1	5M/T	–
	CA2A CB2A	4G15-2 (1.5)	–	Single	–	–	CARB	F5M21-1 F3A21-2	5M/T 3A/T	– –
	CA4A CB4A	4G92-0 (1.6)	–	Single	–	–	MPI	F5M22-2 F4A22-2	5M/T 4A/T	– –
CA5A CB5A	4G93-1 (1.8)	–	Double	X	–	MPI	F5M22-2	5M/T	–	
Space Runner	N11W	4G93-0 (1.8)	–	Single	–	–	CARB	F5M22-1 F4A22-2	5M/T 4A/T	– –
							MPI	F5M22-1 F4A22-2	5M/T 4A/T	– –
Space Wagon	N31W	4G93-0 (1.8)	–	Single	–	–	CARB	F5M22-1 F4A22-2	5M/T 4A/T	– –
							MPI	F5M22-1 F4A22-2	5M/T 4A/T	– –
Galant	E31A	4G32-8 (1.6)	–	Single	–	–	CARB	F5M21-1 F4A21-2	5M/T 4A/T	– –
	E32A	4G37-7 (1.8)	X	Single	–	–	CARB	F5M22-1 F4A21-2	5M/T 4A/T	– –
							MPI	F5M22-1 F4A22-2	5M/T 4A/T	– –
	E33A	4G63-3 (2.0)	X	Single	–	–	CARB	F5M22-1 F4A22-2	5M/T 4A/T	– –
		4G63-3 (2.0)	X	Single	X	–	MPI	F5M22-1 F4A22-2	5M/T 4A/T	– –
	4G63-5 (2.0)	X	Double	X	–	MPI	F5M22-2 F4A22-2	5M/T 4A/T	– –	
E39A	4G63-5 (2.0)	X	Double	X	X	MPI	W5M33-2	5M/T	X	

## GENERAL EXPORT for 1992

Brand	Vehicle model	Engine					Fuel system	Transmission		
		Model (lit.)	Silent shaft	Camshaft	Lash adjuster	Turbo charger		Model	Type	4WD
Pajero	V12C V12V V12W V32V	4G54-1 (2.6)	–	Single	–	–	CARB	V5M21-5	5M/T	X
	V14C V14V V34V	4D56-1 (2.5)	X	Single	–	–	Diesel	V5M21-5	5M/T	X
	V23W	6G72-1 (3.0)	–	Double	X	–	MPI	V5MT1-3	5M/T	X
	V24W V44W	4D56-1 (2.5)	X	Single	–	X	Diesel	V5MT1-3	5M/T	X
	V32W	4G54-1 (2.6)	–	Single	–	–	CARB	V5MT1-3 V4AW2-3	5M/T 4A/T	X X
	V43W	6G72-1 (3.0)	–	Double	X	–	MPI	V5MT1-3	5M/T	X
L200	K01T K11T	4G32-8 (1.6)	–	Single	–	–	CARB	R4M21-1	4M/T	–
	K02T K12T	4G63-4 (2.0)	–	Single	–	–	CARB	R5M21-1	5M/T	–
	K03T K13T	4G54-1 (2.6)	–	Single	–	–	CARB	R5M21-1	5M/T	–
	K14T	4D56-1 (2.5)	X	Single	–	–	Diesel	R5M21-1	5M/T	–
L200 4WD	K22T K32T	4G63-4 (2.0)	–	Single	–	–	CARB	V5M21-1	5M/T	X
	K24T K34T	4D56-1 (2.5)	X	Single	–	–	Diesel	V5M21-1	5M/T	X
L300	P01V P01W	4G33-8 (1.4)	–	Single	–	–	CARB	R4M21-2	4M/T	–
	P02V P12V P12W	4G32-8 (1.6)	–	Single	–	–	CARB	R4M21-2	4M/T	–
	P03V P13V P13W	4G63-4 (2.0)	–	Single	–	–	CARB	R5M21-2	5M/T	–
	P03W	4G63-4 (2.0)	–	Single	–	–	CARB	R5M21-2 R4AW2-2	5M/T 4A/T	– –

## GENERAL EXPORT for 1992

Brand	Vehicle model	Engine					Fuel system	Transmission		
		Model (lit.)	Silent shaft	Camshaft	Lash adjuster	Turbo charger		Model	Type	4WD
L300	P05V P15V P15W	4D56-1 (2.5)	X	Single	–	–	Diesel	R5M21-2	5M/T	–
	P05W	4D56-1 (2.5)	X	Single	–	–	Diesel	R5M21-2 R4AW2-2	5M/T 4A/T	– –
L300 4WD	P23W	4G63-4 (2.0)	–	Single	–	–	CARB	V5M21-2	5M/T	X
Sigma	F16A	6G72-1 (3.0)	–	Double	X	–	MPI	F5M33-2 F4A33-1	5M/T 4A/T	– –
		6G72-4 (3.0)	–	Four	X	–	MPI	F5M33-2 F4A33-1	5M/T 4A/T	– –
Diamante	F26A	6G72-4 (3.0)	–	Four	X	–	MPI	W4A33-1	4A/T	X

## AUSTRALIA for 1992

Brand	Vehicle model	Engine					Fuel system	Transmission		
		Model (lit.)	Silent shaft	Camshaft	Lash adjuster	Turbo charger		Model	Type	4WD
Space Wagon	N31W	4G64-1 (2.4)	X	Single	X	–	MPI	F5M31-2 F4A23-2	5M/T 4A/T	– –
		4G63-3 (2.0)	X	Single	X	–		MPI	F5M22-1 F4A22-2	5M/T 4A/T
Galant	E33A	4G63-5 (2.0)	X	Double	X	–	MPI	F5M22-2 F4A22-2	5M/T 4A/T	– –
		4G63-5 (2.0)	X	Double	X	X	MPI	W5M33-2	5M/T	X
	E39A	4G63-5 (2.0)	X	Double	X	–	MPI	W5M33-2	5M/T	X
L200	K13T	4G54-1 (2.6)	X	Single	X	–	CARB	R5M21-1	5M/T	–
	K14T	4D56-1 (2.5)	X	Single	–	–	Diesel	R5M21-1	5M/T	–
L200 4WD	K33T	4G54-1 (2.6)	X	Single	X	–	CARB	V5M21-1	5M/T	X
	K34T	4D56-1 (2.5)	X	Single	–	X	Diesel	V5M21-1	5M/T	X
	K36T	6G72-1 (3.0)	–	Double	X	–	MPI	V5MT1-2	5M/T	X
L300	P03V P03W	4G63-3 (2.0)	X	Single	X	–	CARB	R5M21-2 R4AW2-2	5M/T 4A/T	– –
	P04W P14V	4G64-1 (2.4)	X	Single	X	–	MPI	R5M21-2 R4AW2-2	5M/T 4A/T	– –
	P05V P15V	4D56-1 (2.5)	X	Single	–	–	Diesel S-QGS	R5M21-2 R4AW2-2	5M/T 4A/T	– –
L300 4WD	P24V P24W	4G64-1 (2.4)	X	Single	X	–	MPI	V5M21-2	5M/T	X



## EUROPE for 1993

Brand	Vehicle model	Engine					Fuel system	Transmission		
		Model (lit.)	Silent shaft	Camshaft	Lash adjuster	Turbo charger		Model	Type	4WD
Lancer	CB1A	4G13-2 (1.3)	–	Single	–	–	MPI	F5M21-1	5M/T	–
	CB4A CB4W	4G92-0 (1.6)	–	Single	–	–	MPI	F5M22-2 F4A22-2	5M/T 4A/T	–
	CB5A	4G93-1 (1.8)	–	Double	X	–	MPI	F5M22-2	5M/T	–
	CB8A CB8W	4D68-0 (2.0)	X	Single	–	–	Diesel S-QGS	F5M22-1	5M/T	–
	CD4A CD4W	4G92-0 (1.6)	–	Single	–	–	MPI	W5M31-2	5M/T	X
	C61A	4G13-2 (1.3)	–	Single	–	–	CARB	F5M21-1	5M/T	–
	C62A	4G15-2 (1.5)	–	Single	–	–	CARB	F5M21-1 F3A21-2	5M/T 3A/T	– –
	C66A	4G92-0 (1.6)	–	Single	–	–	MPI	F5M22-2 F4A21-2	5M/T 4A/T	– –
	C67A	4D68-0 (2.0)	X	Single	–	–	Diesel S-QGS	F5M22-1	5M/T	–
	C69A	4G93-1 (1.8)	–	Double	X	–	MPI	F5M22-2	5M/T	–
	C76A	4G92-0 (1.6)	–	Single	–	–	MPI	W5M31-2	5M/T	X
Space Runner	N11W	4G93-0 (1.8)	–	Single	–	–	MPI	F5M22-1 F4A22-2	5M/T 4A/T	– –
	N18W	4D68-0 (2.0)	X	Single	–	X	Diesel S-QGS	F5M31-1	5M/T	–
	N21W	4G93-0 (1.8)	–	Single	–	–	MPI	W5M31-2	5M/T	X
Space Wagon	N33W	4G63-6 (2.0)	X	Single	X	–	MPI	F5M22-1 F4A22-2	5M/T 4A/T	– –
	N34W	4G64-2 (2.4)	X	Single	X	–	MPI	F5M31-2 F4A23-2	5M/T 4A/T	– –
	N38W	4D68-0 (2.0)	X	Single	–	X	Diesel S-QGS	F5M31-1	5M/T	–
	N43W	4G63-6 (2.0)	X	Single	X	–	MPI	W5M31-2 F4A32-1	5M/T 4A/T	X X

## EUROPE for 1993

Brand	Vehicle model	Engine					Fuel system	Transmission		
		Model (lit.)	Silent shaft	Camshaft	Lash adjuster	Turbo charger		Model	Type	4WD
Galant	E52A	4G93-0 (1.8)	–	Single	–	–	MPI	F5M22-2 F4A22-2	5M/T 4A/T	– –
	E54A	6A12-0 (2.0)	–	Four	X	–	MPI	F5M31-2 F4A23-2	5M/T 4A/T	– –
	E55A	4G63-6 (2.0)	X	Single	X	–	MPI	F5M22-2 F4A22-2	5M/T 4A/T	– –
	E57A	4D68-0 (2.0)	X	Single	–	X	Diesel S-QGS	F5M31-1	5M/T	–
	E64A	6A12-0 (2.0)	–	Four	X	–	MPI	F5M31-2 F4A23-2	5M/T 4A/T	– –
	E75A	4G63-6 (2.0)	X	Single	X	–	MPI	W5M31-2	5M/T	X
	E88A	6G73-1 (2.5)	–	Four	X	–	MPI	W5M33-2	5M/T	X
Pajero/ Montero	V21C V21W V41W	4G64-3 (2.4)	X	Single	X	–	MPI	V5M21-5	5M/T	X
	V23C	6G72-1 (3.0)	–	Double	X	–	MPI	V4AW2-3	4A/T	X
	V23W V43W	6G72-1 (3.0)	–	Double	X	–	MPI	V5MT1-3 V4AW2-3	5M/T 4A/T	X X
	V24C V24W	4D56-1 (2.5)	X	Single	–	X	Diesel	V5MT1-3	5M/T	X
	V44W	4D56-1 (2.5)	X	Single	–	X	Diesel	V5MT1-3 V4AW2-3	5M/T 4A/T	X X
L200	K11T	4G32-8 (1.6)	–	Single	–	–	CARB	R5M21-1	5M/T	–
	K12T	4G63-9 (2.0)	X	Single	X	–	CARB	R5M21-1	5M/T	–
	K14T	4D56-1 (2.5)	X	Single	–	–	Diesel	R5M21-1	5M/T	–
L200 4WD	K22T K32T	4G63-9 (2.0)	X	Single	X	–	CARB	V5M21-1	5M/T	X
	K24T K34T	4D56-1 (2.5)	X	Single	–	X	Diesel	V5M21-1	5M/T	X
	K33T	G54B-1 (2.6)	X	Single	X	–	CARB	V5M21-1	5M/T	X
L300	P02V P12V	4G32-8 (1.6)	–	Single	–	–	CARB	R5M21-2	5M/T	–
	P03V	4G63-9 (2.0)	X	Single	X	–	ELEC. CARB	R5M21-2	5M/T	–

## EUROPE for 1993

Brand	Vehicle model	Engine					Fuel system	Transmission		
		Model (lit.)	Silent shaft	Camshaft	Lash adjuster	Turbo charger		Model	Type	4WD
L300	P03W	4G63-9 (2.0)	X	Single	X	–	CARB	R5M21-2	5M/T	–
								R4AW2-2	4A/T	–
	P13V	4G63-9 (2.0)	X	Single	X	–	CARB	R5M21-2	5M/T	–
								ELEC. CARB	R5M21-2	5M/T
	P04V P04W P14V	4G64-3 (2.4)	X	Single	X	–	MPI	R5M21-2	5M/T	–
								ELEC. CARB	R5M21-2	5M/T
	P05V P05W P15V	4D56-1 (2.5)	X	Single	–	–	Diesel	R5M21-2	5M/T	–
L032P								4G32-8 (1.6)	–	Single
L039P	4D56-1 (2.5)	X	Single	–	–	Diesel	R5M21-3	5M/T	–	
							Diesel S-QGS	R5M21-3	5M/T	–
L300 4WD	P24V P24W	4G64-3 (2.4)	X	Single	X	–	MPI	V5M21-2	5M/T	X
								P25V P25W P45W	4D56-1 (2.5)	X
Sigma	F16A	6G72-1	–	Double	X	–	MPI	F5M33-2 F4A33-1	5M/T 4A/T	– –
		6G72-4	–	Four	X	–	MPI	F5M33-2 F4A33-1	5M/T 4A/T	– –
3000GT	Z16A	6G72-4	–	Four	X	X	MPI	W5MG1-2	5M/T	X
Eclipse	D22A	4G63-7	X	Double	X	–	MPI	F5M31-2	5M/T	–
	D27A	4G63-7	X	Double	X	–	MPI	W5M33-2	5M/T	X
Colt	CA1A	4G13-2 (1.3)	–	Single	–	–	CARB	F5M21-1	5M/T	–
	CA2A	4G15-2 (1.5)	–	Single	–	–	CARB	F5M21-1 F3A21-2	5M/T 3A/T	– –
	CA5A	4G93-1 (1.8)	–	Double	X	–	MPI	F5M22-2	5M/T	–
Lancer	CB1A	4G13-2 (1.3)	–	Single	–	–	CARB	F5M21-1	5M/T	–
	CB1W	4G13-2 (1.3)	–	Single	–	–	CARB	F5M21-1 F3A21-2	5M/T 3A/T	– –

## GENERAL EXPORT for 1993

Brand	Vehicle model	Engine					Fuel system	Transmission		
		Model (lit.)	Silent shaft	Camshaft	Lash adjuster	Turbo charger		Model	Type	4WD
Lancer	CB2A CB2W	4G15-2 (1.5)	–	Single	–	–	CARB	F5M21-1 F3A21-2	5M/T 3A/T	– –
	CB4W	4G92-0 (1.6)	–	Single	–	–	MPI	F5M22-2	5M/T	–
Space Runner	N11W	4G93-0 (1.8)	–	Single	–	–	CARB	F5M22-1 F4A22-2	5M/T 4A/T	– –
							MPI	F5M22-1 F4A22-2	5M/T 4A/T	– –
Space Wagon	N31W	4G93-0 (1.8)	–	Single	–	–	CARB	F5M22-1 F4A22-2	5M/T 4A/T	– –
							MPI	F5M22-1 F4A22-2	5M/T 4A/T	– –
Galant	E52A	4G93-0 (1.8)	–	Single	–	–	CARB	F5M22-2 F4A22-2	5M/T 4A/T	– –
							MPI	F5M22-2 F4A22-2	5M/T 4A/T	– –
	E54A	6A12-0 (2.0)	–	Double	X	–	MPI	F5M31-2 F5A23-2	5M/T 4A/T	– –
	E55A	4G63-6 (2.0)	X	Single	X	–	CARB	F5M22-2 F4A22-2	5M/T 4A/T	– –
							MPI	F4A22-2	4A/T	–
Pajero/ Montero	V12C V12V V12W V32V	4G54-1 (2.6)	–	Single	–	–	CARB	V5M21-5 V4AW2-3	5M/T 4A/T	X X
	V32W	4G54-1 (2.6)	–	Single	–	–	CARB	V5M21-5	5M/T	X

## GENERAL EXPORT for 1993

Brand	Vehicle model	Engine					Fuel system	Transmission		
		Model (lit.)	Silent shaft	Camshaft	Lash adjuster	Turbo charger		Model	Type	4WD
Pajero/ Montero	V23W V43W	6G72-1 (3.0)	–	Double	X	–	MPI	V5MT1-3 V4AW2-3	5M/T 4A/T	X X
	V14C V14V V34V	4D56-1 (2.5)	X	Single	–	–	Diesel	V5M21-5	5M/T	X
	V34V	4D56-1 (2.5)	X	Single	–	X	Diesel	V5M21-5	5M/T	X
	V24W V34W	4D56-1 (2.5)	X	Single	–	X	Diesel	V5MT1-3	5M/T	X
	V44W	4D56-1 (2.5)	X	Single	–	X	Diesel	V5MT1-3 V4AW2-3	5M/T 4A/T	X X
L200	K01T K11T	4G32-8 (1.6)	–	Single	–	–	CARB	R4M21-1	4M/T	–
	K02T K12T	4G63-8 (2.0)	–	Single	–	–	CARB	R5M21-1	5M/T	–
	K03T K13T	4G54-1 (2.6)	–	Single	–	–	CARB	R5M21-1	5M/T	–
	K14T	4D56-1 (2.5)	X	Single	–	–	Diesel	R5M21-1	5M/T	–
L200 4WD	K22T K32T	4G63-8 (2.0)	–	Single	–	–	CARB	V5M21-1	5M/T	X
	K24T K34T	4D56-1 (2.5)	X	Single	–	–	Diesel	V5M21-1	5M/T	X
L300	P01V	4G33-8 (1.4)	–	Single	–	–	CARB	R4M21-2	4M/T	–
		G33B-8 (1.4)	–	Single	–	–	CARB	R4M21-2	4M/T	–
	P01W	4G33-8 (1.4)	–	Single	–	–	CARB	R4M21-2	4M/T	–
	P12V P12W	4G32-8 (1.6)	–	Single	–	–	CARB	R4M21-2	4M/T	–
		P03V P13V P13W	4G63-8 (2.0)	–	Single	–	–	CARB	R5M21-2	5M/T
	P03W	4G63-8 (2.0)	–	Single	–	–	CARB	R5M21-2 R4AW2-2	5M/T 4A/T	– –
	P04W	4G64-3 (2.4)	X	Single	X	–	MPI	R4AW2-2	4A/T	–

## GENERAL EXPORT for 1993

Brand	Vehicle model	Engine					Fuel system	Transmission		
		Model (lit.)	Silent shaft	Camshaft	Lash adjuster	Turbo charger		Model	Type	4WD
L300	P05V P15V P15W	4D56-1 (2.5)	X	Single	–	–	Diesel	R5M21-2	5M/T	–
	P05W	4D56-1 (2.5)	X	Single	–	–	Diesel	R5M21-2	5M/T	–
L300 4WD	P23W	4G63-8 (2.0)	–	Single	–	–	CARB	V5M21-2	5M/T	X
	P24W	4G64-3 (2.4)	X	Single	X	–	MPI	V5M21-2	5M/T	X
Sigma	F16A	6G72-1 (3.0)	–	Double	X	–	MPI	F5M33-2 F4A33-1	5M/T 4A/T	– –
		6G72-4 (3.0)	–	Four	X	–	MPI	F5M33-2 F4A33-1	5M/T 4A/T	– –
Diamante	F26A	6G72-4 (3.0)	–	Four	X	–	MPI	W4A33-1	4A/T	X
3000GT	Z16A	6G72-4 (3.0)	–	Four	X	X	MPI	W5MG1-2	5M/T	X

## AUSTRALIA for 1993

Brand	Vehicle model	Engine					Fuel system	Transmission		
		Model (lit.)	Silent shaft	Camshaft	Lash adjuster	Turbo charger		Model	Type	4WD
Lancer	CA2A CB2A	4G15-2 (1.5)	–	Single	–	–	CARB	F5M21-1 F3A21-2	5M/T 3A/T	– –
	CA5A CB5A CB5W	4G93-0 (1.8)	–	Single	–	–	MPI	F5M22-2 F4A22-2	5M/T 4A/T	– –
	CD5A	4G93-1 (1.8)	–	Double	X	X	MPI	W5M33-2	5M/T	X
	C62A	4G15-2 (1.5)	–	Single	–	–	CARB	F5M21-1 F3A21-2	5M/T 3A/T	– –
	C66A	4G92-0 (1.6)	–	Single	–	–	MPI	F5M22-2 F4A21-2	5M/T 4A/T	– –
Space Wagon	N34W	4G64-2 (2.4)	X	Single	X	–	MPI	F5M31-2 F4A23-2	5M/T 4A/T	– –
Galant	E54A	6A12-0 (2.0)	–	Four	X	–	MPI	F5M31-2 F4A23-2	5M/T 4A/T	– –
	E55A	4G63-6 (2.0)	X	Single	X	–	MPI	F5M22-2 F4A22-2	5M/T 4A/T	– –
Pajero/ Montero	V12W V32W	4G54-1 (2.6)	X	Single	X	–	CARB	V5M21-5	5M/T	X
	V23W	6G72-1 (3.0)	–	Single	X	–	MPI	V5MT1-3	5M/T	X
	V43W	6G72-1 (3.0)	–	Single	X	–	MPI	V5MT1-3 V4AW2-3	5M/T 3A/T	X X
	V34W	4D56-1 (2.5)	X	Single	–	X	Diesel	V5M21-5	5M/T	X
	V44W	4D56-1 (2.5)	X	Single	–	X	Diesel	V5MT1-3	5M/T	X
L200	K13T	4G54-1 (2.6)	X	Single	X	–	CARB	R5M21-1	5M/T	–
	K14T	4D56-1 (2.5)	X	Single	–	–	Diesel	R5M21-1	5M/T	–
L200 4WD	K33T	4G54-1 (2.6)	X	Single	X	–	CARB	R5M21-1	5M/T	X
	K34T	4D56-1 (2.5)	X	Single	–	X	Diesel	R5M21-1	5M/T	X
	K36T	6G72-1 (3.0)	–	Double	X	–	MPI	V5MT1-2	5M/T	X

## AUSTRALIA for 1993

Brand	Vehicle model	Engine					Fuel system	Transmission		
		Model (lit.)	Silent shaft	Camshaft	Lash adjuster	Turbo charger		Model	Type	4WD
L300	P03V P03W	4G63-9 (2.0)	X	Single	X	–	CARB	R5M21-2 R4AW2-2	5M/T 4A/T	– –
	P04W P14V	4G64-3 (2.4)	X	Single	X	–	MPI	R5M21-2 R4AW2-2	5M/T 4A/T	– –
	P05V P15V	4D56-1 (2.5)	X	Single	–	–	Diesel S-QGS	R5M21-2 R4AW2-2	5M/T 4A/T	– –
L300 4WD	P24V P24W	4G64-3 (2.4)	X	Single	X	–	MPI	V5M21-2	5M/T	X
3000GT	Z16A	6G72-4 (3.0)	–	Four	X	X	MPI	W5MG1-1	5M/T	X



## EUROPE for 1994

Brand	Vehicle model	Engine					Fuel system	Transmission		
		Model (lit.)	Silent shaft	Camshaft	Lash adjuster	Turbo charger		Model	Type	4WD
Colt	CA1A	4G13-2 (1.3)	–	Single	–	–	MPI	F5M21-1	5M/T	–
	CA4A	4G92-0 (1.6)	–	Single	–	–	MPI	F5M22-2 F4A22-2	5M/T 4A/T	– –
	CA5A	4G93-1 (1.8)	–	Double	X	–	MPI	F5M22-2	5M/T	–
	CC4A	4G92-0 (1.6)	–	Single	–	–	MPI	W5M31-2	5M/T	X
Lancer/ Lancer Wagon	CB1A	4G13-2 (1.3)	–	Single	–	–	MPI	F5M21-1	5M/T	–
	CB4A CB4W	4G92-0 (1.6)	–	Single	–	–	MPI	F5M22-2 F4A22-2	5M/T 4A/T	– –
	CB5A	4G93-1 (1.8)	–	Double	X	–	MPI	F5M22-2	5M/T	–
	CB8A CB8W	4D68-0 (2.0)	X	Single	–	–	Diesel S-RGS	F5M22-1	5M/T	–
	CD4A CD4W	4G92-0 (1.6)	–	Single	–	–	MPI	W5M31-2	5M/T	X
	C61A	4G13-2 (1.3)	–	Single	–	–	MPI	F5M21-1	5M/T	–
	C66A	4G92-0 (1.6)	–	Single	–	–	MPI	F5M22-2 F4A21-2	5M/T 4A/T	– –
	C67A	4D68-0 (2.0)	X	Single	–	–	Diesel S-RGS	F5M22-1	5M/T	–
	C69A	4G93-1 (1.8)	–	Double	X	–	MPI	F5M22-2	5M/T	–
	C76A	4G92-0 (1.6)	–	Single	–	–	MPI	W5M31-2	5M/T	X
Space Runner	N11W	4G93-0 (1.8)	–	Single	–	–	MPI	F5M22-1 F4A22-2	5M/T 4A/T	– –
	N18W	4D68-0 (2.0)	X	Single	–	X	Diesel S-RGS	F5M31-1	5M/T	–
	N21W	4G93-0 (1.8)	–	Single	–	–	MPI	W5M31-2	5M/T	X

## EUROPE for 1994

Brand	Vehicle model	Engine					Fuel system	Transmission		
		Model (lit.)	Silent shaft	Camshaft	Lash adjuster	Turbo charger		Model	Type	4WD
Space Wagon	N33W	4G63-6 (2.0)	X	Single	X	–	MPI	F5M22-1 F4A22-2	5M/T 4A/T	– –
	N34W	4G64-2 (2.4)	X	Single	X	–	MPI	F5M22-1 F4A23-2	5M/T 4A/T	– –
	N38W	4D68-0 (2.0)	X	Single	–	X	Diesel S-RGS	F5M31-1	5M/T	–
	N43W	4G63-6 (2.0)	X	Single	X	–	MPI	W5M31-2 W4A32-1	5M/T 4A/T	X X
Galant	E52A	4G93-0 (1.8)	–	Single	–	–	MPI	F5M22-2 F4A22-2	5M/T 4A/T	– –
	E54A E64A	6A12-0 (2.0)	–	Four	X	–	MPI	F5M31-2 F4A23-2	5M/T 4A/T	– –
	E55A	4G63-6 (2.0)	X	Single	X	–	MPI	F5M22-2 F4A22-2	5M/T 4A/T	– –
	E57A	4D68-0 (2.0)	X	Single	–	X	Diesel S-RGS	F5M31-1	5M/T	–
	E75A	4G63-6 (2.0)	X	Single	X	–	MPI	W5M31-2	5M/T	X
	E88A	6G73-1 (2.5)	–	Four	X	–	MPI	W5M33-2	5M/T	X
	E99A	420B-0 (2.0)	–	Double	X	–	MPI	F5MC1-1 F4AC1-1	5M/T 4A/T	– –
Pajero/ Montero	V21W	4G64-3 (2.4)	X	Single	X	–	MPI	V5M21-6	5M/T	X
	V23C	6G72-1 (3.0)	–	Double	X	–	MPI	V4AW2-7	4A/T	X
	V23W V43W	6G72-1 (3.0)	–	Double	X	–	MPI	V5MT1-6 V4AW2-7	5M/T 4A/T	X X
	V24C V24W	4D56-1 (2.5)	X	Single	–	X	Diesel S-RGS	V5MT1-6	5M/T	X
	V25W V45W	6G74-1 (3.5)	–	Four	X	–	MPI	V5M31-5 V4AW3-7	5M/T 4A/T	X X
	V46W	4M40 (2.8)	X	Single	–	X	Diesel S-RGS	V5M31-5 V4AW3-7	5M/T 4A/T	X X
L200	K11T	4G32-8 (1.6)	–	Single	–	–	CARB	R5M21-1	5M/T	–
	K12T	4G63-9 (2.0)	X	Single	X	–	CARB	R5M21-1	5M/T	–
	K14T	4D56-1 (2.5)	X	Single	–	–	Diesel S-RGS	R5M21-1	5M/T	–

## EUROPE for 1994

Brand	Vehicle model	Engine					Fuel system	Transmission		
		Model (lit.)	Silent shaft	Camshaft	Lash adjuster	Turbo charger		Model	Type	4WD
L200 4WD	K32T	4G63-9 (2.0)	X	Single	X	–	CARB	V5M21-1	5M/T	X
	K24T K34T	4D56-1 (2.5)	X	Single	–	X	Diesel S-RGS	V5M21-1	5M/T	X
	K34T	4D56-2 (2.5)	X	Single	–	X	Diesel S-RGS	V5M21-1	5M/T	X
	K33T	G54B-1 (2.6)	X	Single	X	–	ELEC. CARB	V5M21-1	5M/T	X
L300	P02V P12V	4G32-8 (1.6)	–	Single	–	–	CARB	R5M21-2	5M/T	–
	P03V	4G63-9 (2.0)	X	Single	X	–	ELEC. CARB	R5M21-2	5M/T	–
	P03W	4G63-9 (2.0)	X	Single	X	–	CARB	R5M21-2 R4AW2-2	5M/T 4A/T	– –
							ELEC. CARB	R5M21-2	5M/T	–
	P13V	4G63-9 (2.0)	X	Single	X	–	CARB	R5M21-2	5M/T	–
							ELEC. CARB	R5M21-2	5M/T	–
	P04V P04W P14V	4G64-3 (2.4)	X	Single	X	–	MPI	R5M21-2	5M/T	–
	P05V P05W P15V	4D56-1 (2.5)	X	Single	–	–	Diesel S-RGS	R5M21-2	5M/T	–
	P15V	4D56-2 (2.5)	X	Single	–	–	Diesel S-RGS	R5M21-2	5M/T	–
	L032P	4G32-8 (1.6)	–	Single	–	–	CARB	R5M21-3	5M/T	–
L039P	4D56-1 (2.5)	X	Single	–	–	Diesel S-RGS	R5M21-3	5M/T	–	
L300 4WD	P24V P24W	4G64-3 (2.4)	X	Single	X	–	MPI	V5M21-2	5M/T	X
	P25V P45V P25W	4D56-1 (2.5)	X	Single	–	X	Diesel S-RGS	V5M21-2	5M/T	X
		4D56-2 (2.5)	X	Single	–	X	Diesel S-RGS	V5M21-2	5M/T	X
3000GT	Z16A	6G72-4 (3.0)	–	Four	X	X	MPI	W5MG1-2	5M/T	X
Eclipse	D22A	4G63-7 (2.0)	X	Double	X	–	MPI	F5M31-2	5M/T	–
	D27A	4G63-7 (2.0)	X	Double	X	–	MPI	W5M33-2	5M/T	X

## GENERAL EXPORT for 1994

Brand	Vehicle model	Engine					Fuel system	Transmission		
		Model (lit.)	Silent shaft	Camshaft	Lash adjuster	Turbo charger		Model	Type	4WD
Lancer/ Lancer Wagon	CB1A	4G13-2 (1.3)	-	Single	-	-	CARB	F5M21-1	5M/T	-
								F3A21-2	3A/T	-
								ELEC. CARB	F5M21-1 F3A21-2	5M/T 3A/T
							MPI	F5M21-1	5M/T	-
	CB2A CB2W	4G15-2 (1.5)	-	Single	-	-	CARB	F5M21-1 F3A21-2	5M/T 3A/T	- -
	CB4A	4G92-0 (1.6)	-	Single	-	-	MPI	F5M22-2 F4A21-2 F4A22-2	5M/T 4A/T 4A/T	- - -
	CB8A	4D68-0 (2.0)	X	Single	-	-	Diesel S-RGS	F5M22-1	5M/T	-
	CB3A	4G91-1 (1.5)	-	Double	X	-	MPI	F5M21-1 F4A21-2	5M/T 4A/T	- -
	CB5A	4G93-1 (1.8)	-	Double	X	-	MPI	F5M22-2	5M/T	-
CB1W	4G13-2 (1.3)	-	Single	-	-	CARB	F5M21-1	5M/T	-	
							F3A21-2	3A/T	-	
							ELEC. CARB	F5M21-1	5M/T	-
CB4W	4G92-0 (1.6)	-	Single	-	-	MPI	F5M22-2	5M/T	-	
Space Runner	N11W	4G93-0 (1.8)	-	Single	-	-	CARB	F5M22-1	5M/T	-
								F4A22-2	4A/T	-
							MPI	F5M22-1 F4A22-2	5M/T 4A/T	- -
Space Wagon	N31W	4G93-0 (1.8)	-	Single	-	-	CARB	F5M22-1	5M/T	-
								F4A22-2	4A/T	-
								MPI	F5M22-1 F4A22-2	5M/T 4A/T
	N33W	4G63-6 (2.0)	X	Single	X	-	MPI	F5M22-1 F4A22-2	5M/T 4A/T	- -
Galant	E52A	4G93-0 (1.8)	-	Single	-	-	CARB	F5M22-2	5M/T	-
								F4A22-2	4A/T	-
							MPI	F5M22-2 F4A22-2	5M/T 4A/T	- -
	E54A	6A12-0 (2.0)	-	Four	X	-	MPI	F5M31-2 F4A23-2	5M/T 4A/T	- -
	E55A	4G63-6 (2.0)	X	Single	X	-	CARB	F5M22-2	5M/T	-
F4A22-2								4A/T	-	
						MPI	F5M22-2 F4A22-2	5M/T 4A/T	- -	

## GENERAL EXPORT for 1994

Brand	Vehicle model	Engine					Fuel system	Transmission		
		Model (lit.)	Silent shaft	Camshaft	Lash adjuster	Turbo charger		Model	Type	4WD
Pajero/ Montero	V12C	4G54-1 (2.6)	–	Single	–	–	CARB	V5M21-5 V4AW2-3	5M/T 4A/T	X X
	V32W	4G54-1 (2.6)	–	Single	–	–	CARB	V5M21-5	5M/T	X
	V14C V14V	4D56-1 (2.5)	X	Single	–	–	Diesel S-RGS	V5M21-6	5M/T	X
	V12V V12W V32V	4G54-1 (2.6)	–	Single	–	–	CARB	V5M21-6	5M/T	X
	V14V V24W	4D56-1 (2.5)	X	Single	–	X	Diesel S-RGS	V5M21-6	5M/T	X
	V25W V45W	6G74-1 (3.5)	–	Four	X	–	MPI	V5M31-5 V4AW3-7	5M/T 4A/T	X X
	V23W V43W	6G72-1 (3.0)	–	Double	X	–	MPI	V5MT1-6 V4AW2-7	5M/T 4A/T	X X
	V36V V36W	4M40 (2.8)	X	Single	–	–	Diesel S-RGS	V5M21-6	5M/T	X
	V46W	4M40 (2.8)	X	Single	–	X	Diesel S-RGS	V5M31-5 V4AW3-7	5M/T 4A/T	X X
L200	K01T K11T	4G32-8 (1.6)	–	Single	–	–	CARB	R4M21-1	4M/T	–
	K02T K12T	4G63-8 (2.0)	–	Single	–	–	CARB	R5M21-1	5M/T	–
	K03T K13T	4G54-1 (2.6)	–	Single	–	–	CARB	R5M21-1	5M/T	–
	K14T	4D56-1 (2.5)	X	Single	–	–	Diesel S-RGS	R5M21-1	5M/T	–
	K15T	4G64-3 (2.4)	X	Single	X	–	MPI	R5M21-1	5M/T	–
L200 4WD	K22T K32T	4G63-8 (2.0)	–	Single	–	–	CARB	V5M21-1	5M/T	X
	K24T K34T	4D56-1 (2.5)	X	Single	–	–	Diesel S-RGS	V5M21-1	5M/T	X
			X	Single	–	X	Diesel S-RGS	V5M21-1	5M/T	X
	K35T	4G64-3 (2.4)	X	Single	X	–	MPI	V5M21-1	5M/T	X

## GENERAL EXPORT for 1994

Brand	Vehicle model	Engine					Fuel system	Transmission		
		Model (lit.)	Silent shaft	Camshaft	Lash adjuster	Turbo charger		Model	Type	4WD
L300	P01V	4G33-8 (1.4)	—	Single	—	—	CARB	R4M21-2	4M/T	—
		G33B-8 (1.4)	—	Single	—	—	CARB	R4M21-2	4M/T	—
	P01W	4G33-8 (1.4)	—	Single	—	—	CARB	R4M21-2	4M/T	—
	P12V P12W	4G32-8 (1.6)	—	Single	—	—	CARB	R4M21-2	4M/T	—
	P03V P13V P13W	4G63-8 (2.0)	—	Single	—	—	CARB	R5M21-2	5M/T	—
	P03W	4G63-8 (2.0)	—	Single	—	—	CARB	R5M21-2 R4AW2-2	5M/T 4A/T	— —
	P04W	4G64-3 (2.4)	X	Single	X	—	MPI	R4AW2-2	4A/T	—
	P14V	4G64-3 (2.4)	X	Single	X	—	MPI	R5M21-2	5M/T	—
	P05V P15V P15W	4D56-1 (2.5)	X	Single	—	—	Diesel S-RGS	R5M21-2	5M/T	—
	P05W	4D56-1 (2.5)	X	Single	—	—	Diesel S-RGS	R5M21-2	5M/T	—
L300 4WD	P23W	4G63-8 (2.0)	—	Single	—	—	CARB	V5M21-2	5M/T	X
	P24W	4G64-3 (2.4)	X	Single	X	—	MPI	V5M21-2	5M/T	X
Sigma	F16A	6G72-1 (3.0)	—	Double	X	—	MPI	F5M33-2 F4A33-1	5M/T 4A/T	— —
		6G72-4 (3.0)	—	Four	X	—	MPI	F5M33-2 F4A33-1	5M/T 4A/T	— —
Diamante	F26A	6G72-4 (3.0)	—	Four	X	—	MPI	W4A33-1	4A/T	X
3000GT	Z16A	6G72-4 (3.0)	—	Four	X	X	MPI	W6MG1-0	6M/T	X

## AUSTRALIA for 1994

Brand	Vehicle model	Engine					Fuel system	Transmission		
		Model (lit.)	Silent shaft	Camshaft	Lash adjuster	Turbo charger		Model	Type	4WD
Space Wagon	N34W	4G64-2 (2.4)	X	Single	X	–	MPI	F5M31-2 F4A23-2	5M/T 4A/T	-- –
Galant	E54A	6A12-0 (2.0)	–	Four	X	–	MPI	F5M31-2 F4A23-2	5M/T 4A/T	– –
	E55A	4G63-6 (2.0)	X	Single	X	–	MPI	F5M22-2 F4A22-2	5M/T 4A/T	– –
Pajero/ Montero	V23W V43W	6G72-1 (3.0)	–	Double	X	–	MPI	V5MT1-6 V4AW2-7	5M/T 4A/T	X X
	V36W	4M40 (2.8)	X	Single	–	–	Diesel S-RGS	V5M21-6	5M/T	X
	V46W	4M40 (2.8)	X	Single	–	X	Diesel S-RGS	V5M31-5	5M/T	X
	V45W	6G74-1 (3.5)	–	Four	X	–	MPI	V4AW3-7	4A/T	X
L200	K13T	4G54-1 (2.6)	X	Single	X	–	CARB	R5M21-1	5M/T	–
	K14T	4D56-1 (2.5)	X	Single	–	–	Diesel S-RGS	R5M21-1	5M/T	–
L200 4WD	K33T	4G54-1 (2.6)	X	Single	X	–	CARB	V5M21-1	5M/T	X
	K34T	4D56-1 (2.5)	X	Single	–	X	Diesel S-RGS	V5M21-1	5M/T	X
	K36T	6D72-1 (3.0)	–	Double	X	–	MPI	V5MT1-2	5M/T	X
L300	P03V P03W	4G63-9 (2.0)	X	Single	X	–	CARB	R5M21-2 R4AW2-2	5M/T 4A/T	– –
	P04W P14V	4G64-3 (2.4)	X	Single	X	–	MPI	R5M21-2 R4AW2-2	5M/T 4A/T	– –
	P05V P15V	4D56-1 (2.5)	X	Single	–	–	Diesel S-RGS	R5M21-2 R4AW2-2	5M/T 4A/T	– –
L300 4WD	P24V P24W	4G64-3 (2.4)	X	Single	X	–	MPI	V5M21-2	5M/T	X
3000GT	Z16A	6G72-4 (3.0)	–	Four	X	X	MPI	W6MG1-0	6M/T	X

## EUROPE for 1995

Brand	Vehicle Model	Engine					Fuel System	Transmission		
		Model (lit.)	Silent shaft	Camshaft	Lash adjuster	Turbo charger		Model	Type	4WD
Colt	CA1A	4G13-2 (1.3)	–	Single	–	–	MPI	F5M21-1	5M/T	–
	CA4A	4G92-0 (1.6)	–	Single	–	–	MPI	F5M22-2 F4A22-2	5M/T 4A/T	– –
	CA5A	4G93-1 (1.8)	–	Double	×	–	MPI	F5M22-2	5M/T	–
	CC4A	4G92-0 (1.6)	–	Single	–	–	MPI	W5M31-2	5M/T	×
Lancer/ Lancer Wagon	CB1A	4G13-2 (1.3)	–	Single	–	–	MPI	F5M21-1	5M/T	–
	CB4A CB4W	4G92-0 (1.6)	–	Single	–	–	MPI	F5M22-2 F4A22-2	5M/T 4A/T	– –
	CB5A	4G93-1 (1.8)	–	Double	×	–	MPI	F5M22-2	5M/T	–
	CB8A CB8W	4D68-0 (2.0)	×	Single	–	–	Diesel S-RGS	F5M22-1	5M/T	–
	CD4W	4G92-1 (1.6)	–	Single	–	–	MPI	W5M31-2	5M/T	×
	C61A	4G13-2 (1.3)	–	Single	–	–	MPI	F5M21-1	5M/T	–
	C66A	4G92-0 (1.6)	–	Single	–	–	MPI	F5M22-2 F4A21-2	5M/T 4A/T	– –
	C67A	4D68-0 (2.0)	×	Single	–	–	Diesel S-RGS	F5M22-1	5M/T	–
	C69A	4G93-1 (1.8)	–	Double	×	–	MPI	F5M22-2	5M/T	–
	C76A	4G92-0 (1.6)	–	Single	–	–	MPI	W5M31-2	5M/T	×



## EUROPE for 1995

Brand	Vehicle Model	Engine					Fuel System	Transmission		
		Model (lit.)	Silent shaft	Camshaft	Lash adjuster	Turbo charger		Model	Type	4WD
Space Runner	N11W	4G93-0 (1.8)	–	Single	–	–	MPI	F5M22-1 F4A22-2	5M/T 4A/T	– –
	N18W	4D68-0 (2.0)	×	Single	–	×	Diesel S-RGS	F5M31-1	5M/T	–
	N21W	4G93-0 (1.8)	–	Single	–	–	MPI	W5M31-2	5M/T	×
Space Wagon	N33W	4G63-6 (2.0)	×	Single	×	–	MPI	F5M22-1 F4A22-2	5M/T 4A/T	– –
	N34W	4G64-2 (2.4)	×	Single	×	–	MPI	F5M22-1 F4A32-2	5M/T 4A/T	– –
	N38W	4D68-0 (2.0)	×	Single	–	×	Diesel S-RGS	F5M31-1	5M/T	–
	N43W	4G63-6 (2.0)	×	Single	×	–	MPI	W5M31-2 W4A32-1	5M/T 4A/T	×
Galant	E52A	4G93-0 (1.8)	–	Single	–	–	MPI	F5M22-2 F4A22-2	5M/T 4A/T	– –
	E54A	6A12-0 (2.0)	–	Four	×	–	MPI	F5M31-2 F4A23-2	5M/T 4A/T	– –
	E55A	4G63-6 (2.0)	×	Single	×	–	MPI	F5M22-2 F4A22-2	5M/T 4A/T	– –
	E57A	4D68-0 (2.0)	×	Single	–	×	Diesel S-RGS	F5M31-1	5M/T	–
	E75A	4G63-6 (2.0)	×	Single	×	–	MPI	W5M31-2	5M/T	×
	E88A	6G73-1 (2.5)	–	Four	×	–	MPI	W5M33-2	5M/T	×
Sigma	F16A	6G72-1 (3.0)	–	Double	×	–	MPI	F5M33-2 F4A33-1	5M/T 4A/T	– –
	F16A	6G72-4 (3.0)	–	Four	×	–	MPI	F5M33-2 F4A33-1	5M/T 4A/T	– –

## EUROPE for 1995

Brand	Vehicle Model	Engine					Fuel System	Transmission		
		Model (lit.)	Silent shaft	Camshaft	Lash adjuster	Turbo charger		Model	Type	4WD
Pajero/ Montero	V23C V23W V43W	6G72-1 (3.0)	–	Double	×	–	MPI	V5MT1-6 V4AW2-7	5M/T 4A/T	×
	V24C V24W V44W	4D56-2 (2.5)	×	Single	–	×	Diesel S-RGS	V5MT1-5	5M/T	×
	V25W V45W	6G74-1 (3.5)	–	Four	×	–	MPI	V5M31-5 V4AW3-7	5M/T 4A/T	×
	V46W	4M40 (2.8)	×	Single	–	×	Diesel S-RGS	V5M31-5 V4AW3-7	5M/T 4A/T	×
L200	K12T	4G63-9 (2.0)	×	Single	×	–	CARB	R5M21-1	5M/T	–
	K14T	4D56-2 (2.5)	×	Single	–	–	Diesel S-RGS	R5M21-1	5M/T	–
	K15T	4G64-3 (2.4)	×	Single	×	–	MPI	R5M21-1	5M/T	–
L200 4WD	K24T K34T	4D56-2 (2.5)	×	Single	–	–	Diesel S-RGS	V5M21-1	5M/T	×
	K35T	4G64-3 (2.4)	×	Single	×	–	MPI	V5M21-1	5M/T	×
	K33T	4G54-1 (2.6)	×	Single	×	–	ELEC CARB	V5M21-1	5M/T	×
L300	P03V P13V	4G63-9 (2.0)	×	Single	×	–	ELEC CARB	R5M21-2	5M/T	–
	P05V P15V	4D56-2 (2.5)	×	Single	–	–	Diesel S-RGS	R5M21-1	5M/T	–
L300 4WD	P25T P45T	4D56-2 (2.5)	×	Single	–	×	Diesel S-RGS	V5M21-1	5M/T	×

## EUROPE for 1995

Brand	Vehicle Model	Engine					Fuel System	Transmission		
		Model (lit.)	Silent shaft	Camshaft	Lash adjuster	Turbo charger		Model	Type	4WD
L400	PA3V PB3V	4G63-A (2.0)	×	Single	×	–	ELEC CARB	R5M21-7	5M/T	–
	PA3V PB3V	4G63-6 (2.0)	×	Single	×	–	MPI	R5M21-7	5M/T	–
	PA5V PB5V	4D56-2 (2.5)	×	Single	–	×	Diesel S-RGS	R5M21-1	5M/T	–
	PD4V	4G64-2 (2.4)	×	Single	×	–	MPI	V5M21-7	5M/T	×
	PD5V	4D56-2 (2.5)	×	Single	–	×	Diesel S-RGS	V5M21-7	5M/T	×
	PA3W	4G63-6 (2.0)	×	Single	×	–	MPI	R5M21-7 R4AW2-5	5M/T 4A/T	– –
	PA4W	4G64-2 (2.4)	×	Single	×	–	MPI	R5M21-7 R4AW2-5	5M/T 4A/T	– –
	PA5W	4D56-2 (2.5)	×	Single	–	×	Diesel S-RGS	R5M31-7	5M/T	–
	PD4W	4G64-2 (2.4)	×	Single	×	–	MPI	V5M21-7	5M/T	×
	PD5W	4D56-2 (2.5)	×	Single	–	×	Diesel S-RGS	V5M31-7	5M/T	×
3000GT	Z16A	6G72-4 (3.0)	–	Four	×	×	MPI	W5MG1-2	5M/T	×
Eclipse	D22A	4G63-7 (2.0)	×	Double	×	–	MPI	F5M31-2	5M/T	–
	D27A	4G63-7 (2.0)	×	Double	×	–	MPI	W5M33-2	5M/T	×

## GENERAL EXPORT for 1995

Brand	Vehicle Model	Engine					Fuel System	Transmission		
		Model (lit.)	Silent shaft	Camshaft	Lash adjuster	Turbo charger		Model	Type	4WD
Colt	CA1A	4G13-2 (1.3)	-	Single	-	-	CARB	F5M21-1	5M/T	-
	CA2A	4G15-2 (1.5)	-	Single	-	-	CARB	F5M21-1 F3A21-2	5M/T 3A/T	- -
	CA4A	4G92-0 (1.6)	-	Single	-	-	MPI	F5M22-2 F4A22-2	5M/T 4A/T	- -
	CA5A	4G93-0 (1.8)	-	Single	-	-	MPI	F5M22-2 F4A22-2	5M/T 4A/T	- -
	CA5A	4G93-1 (1.8)	-	Double	x	-	MPI	F5M22-2	5M/T	-
Lancer/ Lancer Wagon	CB1A	4G13-2 (1.3)	-	Single	-	-	CARB	F5M21-1	5M/T	-
	CB2A CB2W	4G15-2 (1.5)	-	Single	-	-	CARB	F5M21-1 F3A21-2	5M/T 3A/T	- -
	CB4A CB4W	4G92-0 (1.6)	-	Single	-	-	MPI	F5M22-2 F4A22-2	5M/T 4A/T	- -
	CB5A	4G93-1 (1.8)	-	Double	x	-	MPI	F5M22-2	5M/T	-
	CB8A CB8W	4D68-0 (2.0)	x	Single	-	-	Diesel S-RGS	F5M22-1	5M/T	-
	C62A	4G15-2 (1.5)	-	Single	-	-	CARB	F5M21-1	5M/T	-
	C66A	4G92-0 (1.6)	-	Single	-	-	MPI	F5M22-2 F4A21-2	5M/T 4A/T	-
Space Runner	N11W	4G93-0 (1.8)	-	Single	-	-	MPI	F5M22-1 F4A22-2	5M/T 4A/T	- -
Space Wagon	N31W	4G93-0 (1.8)	-	Single	-	-	MPI	F5M22-1 F4A22-2	5M/T 4A/T	- -
	N33W	4G63-6 (2.0)	x	Single	x	-	MPI	F5M22-1 F4A22-2	5M/T 4A/T	- -

## GENERAL EXPORT for 1995

Brand	Vehicle Model	Engine					Fuel System	Transmission		
		Model (lit.)	Silent shaft	Camshaft	Lash adjuster	Turbo charger		Model	Type	4WD
Galant	E52A	4G93-0 (1.8)	–	Single	–	–	MPI CARB	F5M22-2 F4A22-2	5M/T 4A/T	– –
	E54A	6A12-0 (2.0)	–	Four	×	–	MPI	F5M31-2 F4A23-2	5M/T 4A/T	– –
	E55A	4G63-6 (2.0)	×	Single	×	–	MPI CARB	F5M22-2 F4A22-2	5M/T 4A/T	– –
Sigma	F16A	6G72-1 (3.0)	–	Double	×	–	MPI	F5M33-2 F4A33-1	5M/T 4A/T	– –
	F16A	6G72-4 (3.0)	–	Four	×	–	MPI	F5M33-2 F4A33-1	5M/T 4A/T	– –
Pajero/ Montero	V12V V12W V32V V32W	4G54-1 (2.6)	–	Single	–	–	CARB	V5M21-1	5M/T	×
	V13V V23W V33V V33W V43W	6G72-1 (3.0)	–	Double	×	–	MPI	V5MT1-6 V4AW2-7	5M/T 4A/T	×
	V14C V14V V24W V34V V44W	4D56-2 (2.5)	×	Single	–	×	Diesel S-RGS	V5MT1-5	5M/T	×
	V25W V45W	6G74-1 (3.5)	–	Four	×	–	MPI	V5M31-5 V4AW3-7	5M/T 4A/T	×
	V46W	4M40 (2.8)	×	Single	–	×	Diesel S-RGS	V5M31-5 V4AW3-7	5M/T 4A/T	×

## GENERAL EXPORT for 1995

Brand	Vehicle Model	Engine					Fuel System	Transmission		
		Model (lit.)	Silent shaft	Camshaft	Lash adjuster	Turbo charger		Model	Type	4WD
L200	K01T K11T	4G32-8 (1.6)	-	Single	-	-	CARB	R4M21-1	4M/T	-
	K02T K12T	4G63-9 (2.0)	×	Single	×	-	CARB	R5M21-1	5M/T	-
	K03T K13T	4G54-1 (2.6)	×	Single	×	-	CARB	R5M21-1	5M/T	-
	K14T	4D56-2 (2.5)	×	Single	-	-	Diesel S-RGS	R5M21-1	5M/T	-
	K15T	4G64-3 (2.4)	×	Single	×	-	MPI	R5M21-1	5M/T	-
L200 4WD	K22T K32T	4G63-9 (2.0)	×	Single	×	-	CARB	V5M21-1	5M/T	×
	K24T K34T	4D56-1 (2.5)	×	Single	-	-	Diesel S-RGS	V5M21-1	5M/T	×
	K35T	4G64-3 (2.4)	×	Single	×	-	MPI	V5M21-1	5M/T	×
L300	P03V P13V P13W	4G63-9 (2.0)	×	Single	×	-	CARB	R5M21-2	5M/T	-
	P15V P15W	4D56-2 (2.5)	×	Single	-	-	Diesel S-RGS	R5M21-1	5M/T	-
L300 4WD	P23W	4G63-9 (2.0)	×	Single	×	-	CARB	V5M21-2	5M/T	×

## GENERAL EXPORT for 1995

Brand	Vehicle Model	Engine					Fuel System	Transmission		
		Model (lit.)	Silent shaft	Camshaft	Lash adjuster	Turbo charger		Model	Type	4WD
L400	PA3V PB3V	4G63-B (2.0)	×	Single	×	–	CARB ELECCARB	R5M21-7	5M/T	–
	PB4V	4G64-2 (2.4)	×	Single	×	–	MPI	R5M21-7	5M/T	–
	PB5V	4D56-2 (2.5)	×	Single	–	×	Diesel S-RGS	R5M21-1	5M/T	–
	PA3W PC3W	4G63-6 (2.0)	×	Single	×	–	CARB	R5M21-7 R4AW2-5	5M/T 4A/T	– –
	PA4W	4G64-2 (2.4)	×	Single	×	–	MPI	R4AW2-5	4M/T	–
	PA5W PC5W	4D56-2 (2.5)	×	Single	–	×	Diesel S-RGS	R5M31-7	5M/T	–
	PD3W	4G63-B (2.0)	×	Single	×	–	CARB	V5M21-7	5M/T	×
	PD4W	4G64-2 (2.4)	×	Single	×	–	MPI	V5M21-7	5M/T	×
3000GT	Z16A	6G72-4 (3.0)	–	Four	×	×	MPI	W5MG1-2	5M/T	×

## AUSTRALIA for 1995

Brand	Vehicle Model	Engine					Fuel System	Transmission		
		Model (lit.)	Silent shaft	Camshaft	Lash adjuster	Turbo charger		Model	Type	4WD
Lancer/ Lancer Wagon	CA2A CB2A	4G15-2 (1.5)	-	Single	-	-	CARB	F5M21-1 F3A21-2	5M/T 3A/T	- -
	CB5W CA5A CB5A	4G93-0 (1.8)	-	Single	×	-	MPI	F5M22-2 F4A22-2	5M/T 4A/T	- -
	CD5A	4G93-1 (1.8)	-	Double	×	×	MPI	W5M33-2	5M/T	×
	C62A	4G15-2 (1.5)	-	Single	-	-	CARB	F5M21-1	5M/T	-
	C66A	4G92-0 (1.6)	-	Single	-	-	MPI	F5M22-2 F4A21-2	5M/T	-
Space Wagon	N34W	4G64-2 (2.4)	×	Single	×	-	MPI	F5M31-2 F4A23-2	5M/T 4A/T	- -
Galant	E54A	6A12-0 (2.0)	-	Four	×	-	MPI	F5M31-2 F4A23-2	5M/T 4A/T	- -
	E55A	4G63-6 (2.0)	×	Single	×	-	MPI	F5M22-2 F4A22-2	5M/T 4A/T	- -
Pajero/ Montero	V23W V43W	6G72-1 (3.0)	-	Double	×	-	MPI	V5MT1-6 V4AW2-7	5M/T 4A/T	×
	V45W	6G74-1 (3.5)	-	Four	×	-	MPI	V4AW3-7	4A/T	×
	V36W V46W	4M40 (2.8)	×	Single	-	×	Diesel S-RGS	V5M31-6	5M/T	×



## AUSTRALIA for 1995

Brand	Vehicle Model	Engine					Fuel System	Transmission		
		Model (lit.)	Silent shaft	Camshaft	Lash adjuster	Turbo charger		Model	Type	4WD
L200	K13T	4G54-1 (2.6)	×	Single	×	–	CARB	R5M21-1	5M/T	–
	K14T	4D56-2 (2.5)	×	Single	–	–	Diesel S-RGS	R5M21-1	5M/T	–
L200 4WD	K33T	4G54-1 (2.6)	×	Single	×	–	CARB	V5M21-1	5M/T	×
	K34T	4D56-1 (2.5)	×	Single	–	–	Diesel S-RGS	V5M21-1	5M/T	×
	K35T	4G64-3 (2.4)	×	Single	×	–	MPI	V5M21-1	5M/T	×
L300	P03V	4G63-A (2.0)	×	Single	×	–	CARB	R5M21-2 R4AW2-8	5M/T 4A/T	– –
	P14V	4G64-2 (2.4)	×	Single	×	–	MPI	R5M21-2 R4AW2-8	5M/T 4A/T	– –
	P05V P15V	4D56-1 (2.5)	×	Single	–	–	Diesel S-RGS	R5M21-1 R4AW2-8	5M/T 4A/T	– –
L300 4WD	P24V	4G64-2 (2.4)	×	Single	×	–	MPI	V5M21-2 V4AW2-5	5M/T 4A/T	×
L400	PA3W	4G63-B (2.0)	×	Single	×	–	CARB	R5M21-7 R4AW2-8	5M/T 4A/T	– –
	PB4V PB4W	4G64-2 (2.4)	×	Single	×	–	MPI	R5M21-7 R4AW2-8	5M/T 4A/T	– –
	PB6W	6G72-8 (3.0)	–	Double	×	–	MPI	R4AW3-5	4A/T	–
3000GT	Z16A	6G72-4 (3.0)	–	Four	×	×	MPI	W5MG1-2	5M/T	×

## EUROPE for 1996

Brand	Vehicle Model	Engine					Fuel System	Transmission		
		Model (lit.)	Silent shaft	Camshaft	Lash adjuster	Turbo charger		Model	Type	4WD
Colt	CJ1A	4G13-3 (1.3)	-	Single	-	-	MPI	F5M41-1	5M/T	-
								F4A41-1	4A/T	-
	CJ4A	4G92-3 (1.6)	-	Single	-	-	MPI	F5M41-1 F4A41-1	5M/T 4A/T	- -
		4G92-8 (1.6)	-	Single	-	-	MPI	F5M41-1	5M/T	-
Lancer	CB4W	4G92-0 (1.6)	-	Single	-	-	MPI	F5M22-2 F4A22-2	5M/T 4M/T	- -
	CD4W	4G92-0 (1.6)	-	Single	-	-	MPI	W5M31-2	4M/T	×
	CK1A	4G13-3 (1.3)	-	Single	-	-	MPI	F5M41-1 F4A41-1	5M/T 4A/T	- -
	CK4A	4G92-3 (1.6)	-	Single	-	-	MPI	F5M41-1 F4A41-1	5M/T 4A/T	- -
Carisma	DA1A	4G92-2 (1.6)	-	Single	-	-	MPI	F5MR1 F4A41-1	5M/T 4A/T	- -
	DA2A	4G93-2 (1.8)	-	Single	-	-	MPI	F5MR1 F4A42-1	5M/T 4A/T	- -
		4G93-4 (1.8)	-	Double	×	-	MPI	F5MR1	5M/T	-
Space Runner	N11W	4G93-0 (1.8)	-	Single	-	-	MPI	F5M22-1 F4A22-2	5M/T 4A/T	- -
	N18W	4D68-0 (2.0)	×	Single	-	×	Diesel S-RGS	F5M31-1	5M/T	-
	N21W	4G93-0 (1.8)	-	Single	-	-	MPI	W5M31-2	5M/T	×
Space Wagon	N33W	4G63-6 (2.0)	×	Single	×	-	MPI	F5M22-1 F4A22-2	5M/T 4A/T	- -
	N34W	4G64-2 (2.4)	×	Single	×	-	MPI	F5M22-1 F4A23-2	5M/T 4A/T	- -
	N38W	4D68-0 (2.0)	×	Single	-	×	Diesel S-RGS	F5M31-1	5M/T	-

## EUROPE for 1996

Brand	Vehicle Model	Engine					Fuel System	Transmission		
		Model (lit.)	Silent shaft	Camshaft	Lash adjuster	Turbo charger		Model	Type	4WD
Space Wagon	N43W	4G63-6 (2.0)	×	Single	×	–	MPI	W5M31-2	5M/T	×
								W4A32-1	4A/T	×
Galant	E52A	4G93-0 (1.8)	–	Single	–	–	MPI	F5M22-2 F4A22-2	5M/T 4A/T	– –
	E54A	6A12-0 (2.0)	–	Four	×	–	MPI	F5M31-2 F4A23-2	5M/T 4A/T	– –
	E55A	4G63-6 (2.0)	×	Single	×	–	MPI	F5M22-2 F4A22-2	5M/T 4A/T	– –
	E57A	4D68-0 (2.0)	×	Single	–	×	Diesel S-RGS	F5M31-2	5M/T	–
	E75A	4G63-6 (2.0)	×	Single	×	–	MPI	W5M31-2	5M/T	×
	E88A	6G73-1 (2.5)	–	Four	×	–	MPI	W5M33-2	5M/T	×
	Pajero/ Montero	V23C V23W V43W	6G72-8 (3.0)	–	Double	×	–	MPI	V5MT1-6 V4AW3-7	5M/T 4A/T
V24C V24W V44W		4D56-2 (2.5)	×	Single	–	×	Diesel S-RGS	V5MT1-6	5M/T	×
V25W V45W		6G74-1 (3.5)	–	Four	×	–	MPI	V5M31-5 V4AW3-7	5M/T 4A/T	×
V26W V46W		4M40 (2.8)	×	Single	–	×	Diesel S-RGS	V5M31-5 V4AW3-7	5M/T 4A/T	×
L200	K14T	4D56-2 (2.5)	×	Single	–	–	Diesel S-RGS	R5M21-1	5M/T	–
	K15T	4G64-3 (2.4)	×	Single	×	–	MPI	R5M21-1	5M/T	–
L200 4WD	K24T K34T	4D56-2 (2.5)	×	Single	–	×	Diesel S-RGS	V5M21-1	5M/T	×
	K35T	4G64-3 (2.4)	×	Single	×	–	MPI	V5M21-1	5M/T	×

## EUROPE for 1996

Brand	Vehicle Model	Engine					Fuel System	Transmission		
		Model (lit.)	Silent shaft	Camshaft	Lash adjuster	Turbo charger		Model	Type	4WD
L300	P03V P13V	4G63-6 (2.0)	×	Single	×	–	MPI	R5M21-2	5M/T	–
	P05V P05W P15V	4D56-2 (2.5)	×	Single	–	–	Diesel S-RGS	R5M21-2	5M/T	–
	P04W	4G64-3 (2.4)	×	Single	×	–	MPI	R5M21-2	5M/T	–
	P13T	4G63-6 (2.0)	×	Single	×	–	MPI	R5M21-8	5M/T	–
	P15T	4D56-2 (2.5)	×	Single	–	×	Diesel S-RGS	R5M21-8	5M/T	–
L300 4WD	P25V P25W P45V	4D56-2 (2.5)	×	Single	–	×	Diesel S-RGS	V5M21-2	5M/T	×
L400	PA3V PB3V	4G63-6 (2.0)	×	Single	×	–	MPI	R5M21-7	5M/T	–
	PA5V PB5V	4D56-2 (2.5)	×	Single	–	×	Diesel S-RGS	R5M21-7	5M/T	–
	PA3W	4G63-6 (2.0)	×	Single	×	–	MPI	R5M21-7 R4AW2-5	5M/T 4A/T	– –
	PA4W	4G64-2 (2.4)	×	Single	×	–	MPI	R5M21-7 R4AW2-5	5M/T 4A/T	– –
	PA5W	4D56-2 (2.5)	×	Single	–	×	Diesel S-RGS	R5M31-7	5M/T	–
	PD4V PD4W	4G64-2 (2.4)	×	Single	×	–	MPI	V5M21-7	5M/T	×
	PD5V	4D56-2 (2.5)	×	Single	–	×	Diesel S-RGS	V5M21-7	5M/T	×
	PD5W	4D56-2 (2.5)	×	Single	–	×	Diesel S-RGS	V5M31-7	5M/T	×

## EUROPE for 1996

Brand	Vehicle Model	Engine					Fuel System	Transmission		
		Model (lit.)	Silent shaft	Camshaft	Lash adjuster	Turbo charger		Model	Type	4WD
3000GT	Z16A	6G72-4 (3.0)	–	Four	×	×	MPI	W6MG1-0	6M/T	×
								W5MG1-3	5M/T	×
Eclipse	D32A	4G63-7 (2.0)	×	Double	×	–	MPI	F5M31-2	5M/T	–

## GENERAL EXPORT for 1996

Brand	Vehicle Model	Engine					Fuel System	Transmission		
		Model (lit.)	Silent shaft	Camshaft	Lash adjuster	Turbo charger		Model	Type	4WD
Colt	CA1A	4G13-2 (1.3)	-	Single	-	-	CARB	F5M21-1	5M/T	-
	CA2A	4G15-2 (1.5)	-	Single	-	-	CARB	F5M21-1 F3A21-2	5M/T 3A/T	- -
	CA5A	4G93-1 (1.8)	-	Double	x	-	MPI	F5M22-2	5M/T	-
	CJ1A	4G13-5 (1.3)	-	Single	-	-	CARB	F5M41-1	5M/T	-
		4G13-3 (1.3)	-	Single	-	-	MPI	F5M41-1	5M/T	-
	CJ2A	4G15-5 (1.5)	-	Single	-	-	CARB	F5M41-1 F4A41-1	5M/T 4A/T	- -
	CJ4A	4G92-3 (1.6)	-	Single	-	-	MPI	F5M41-1 F4A41-1	5M/T 4A/T	- -
	CJ5A	4G93-5 (1.8)	-	Double	x	-	MPI	F5M42-1	5M/T	-
Lancer/ Lancer Wagon	CB1A	4G13-2 (1.3)	-	Single	-	-	CARB	F5M21-1	5M/T	-
	CB1W	4G13-2 (1.3)	-	Single	-	-	CARB	F5M21-1 F3A21-2	5M/T 3A/T	- -
	CB2A CB2W	4G15-2 (1.5)	-	Single	-	-	CARB	F5M21-1 F3A21-2	5M/T 3A/T	- -
	CK1A	4G13-5 (1.3)	-	Single	-	-	CARB	F5M41-1 F4A41-1	5M/T 4A/T	- -
		4G13-3 (1.3)	-	Single	-	-	MPI	F5M41-1 F4A41-1	5M/T 4A/T	- -
	CK2A	4G15-5 (1.5)	-	Single	-	-	CARB	F5M41-1 F4A41-1	5M/T 4A/T	- -
		4G15-4 (1.5)	-	Double	x	-	MPI	F5M41-1 F4A41-1	5M/T 4A/T	- -

## GENERAL EXPORT for 1996

Brand	Vehicle Model	Engine					Fuel System	Transmission		
		Model (lit.)	Silent shaft	Camshaft	Lash adjuster	Turbo charger		Model	Type	4WD
Lancer/ Lancer Wagon	CK4A	4G92-3 (1.6)	–	Single	–	–	MPI	F5M41-1 F4A41-1	5M/T 4A/T	– –
		4G92-7 (1.6)	–	Double	–	–	MPI	F5M42-1 F4A42-1	5M/T 4A/T	– –
Space Runner	N11W	4G93-0 (1.8)	–	Single	–	–	MPI	F5M22-1 F4A22-2	5M/T 4A/T	– –
Space Wagon	N31W	4G93-0 (1.8)	–	Single	–	–	CARB	F5M22-1 F4A22-2	5M/T 4A/T	– –
	N33W	4G63-6 (2.0)	×	Single	×	–	MPI	F5M22-1 F4A22-2	5M/T 4A/T	– –
Galant	E52A	4G93-0 (1.8)	–	Single	–	–	CARB	F5M22-2 F4A22-2	5M/T 4A/T	– –
							MPI	F5M22-2 F4A22-2	5M/T 4A/T	– –
	E54A	6A12-0 (2.0)	–	Four	×	–	MPI	F5M31-2 F4A23-2	5M/T 4A/T	– –
	E55A	4G63-6 (2.0)	×	Single	×	–	CARB	F5M22-2 F4A22-2	5M/T 4A/T	– –
							MPI	F5M22-2 F4A22-2	5M/T 4A/T	– –
			4G63-D (2.0)	×	Single	×	–	CARB	F5M22-2 F4A22-2	5M/T 4A/T
Sigma	F16A	6G72-1 (3.0)	–	Double	×	–	MPI	F5M33-2 F4A33-1	5M/T 4A/T	– –
		6G72-4 (3.0)	–	Four	×	–	MPI	F5M33-2 F4A33-1	5M/T 4A/T	– –
Pajero/ Montero	V12V V12W V32V	4G54-1 (2.6)	–	Single	–	–	CARB	V5M21-6	5M/T	×
	V32W	4G54-1 (2.6)	–	Single	–	–	CARB	V5M21-6 V4AW2-7	5M/T 4A/T	×
	V13V V33V	6G72-1 (3.0)	–	Double	×	–	MPI	V5MT1-6	5M/T	×

GENERAL EXPORT for 1996

Brand	Vehicle Model	Engine					Fuel System	Transmission		
		Model (lit.)	Silent shaft	Camshaft	Lash adjuster	Turbo charger		Model	Type	4WD
Pajero/ Montero	V23W V43W	6G72-1 (3.0)	-	Double	x	-	MPI	V5MT1-6 V4AW2-7	5M/T 4A/T	x x
	V14C V14V V34V	4D56-2 (2.5)	x	Single	-	-	Diesel S-RGS	V5M21-6	5M/T	x
	V24W	4D56-2 (2.5)	x	Single	-	x	Diesel S-RGS	V5MT1-6	5M/T	x
	V44W	4D56-2 (2.5)	x	Single	-	x	Diesel S-RGS	V5MT1-6 V4AW2-7	5M/T 4A/T	x x
	V25W V45W	6G74-1 (3.5)	-	Four	x	-	MPI	V5M31-5 V4AW3-7	5M/T 4A/T	x x
	V36V V36W	4M40 (2.8)	x	Single	-	-	Diesel S-RGS	V5M31-5	5M/T	x
	V46W	4M40 (2.8)	x	Single	-	x	Diesel S-RGS	V5M31-5 V4AW3-7	5M/T 4A/T	x x
L200	K11T	4G32-8 (1.6)	-	Single	-	-	CARB	R4M21-1	4M/T	-
	K02T K12T	4G63-8 (2.0)	-	Single	-	-	CARB	R5M21-1	5M/T	-
	K03T K13T	4G54-1 (2.6)	-	Single	-	-	CARB	R5M21-1	5M/T	-
	K14T	4D56-2 (2.5)	x	Single	-	-	Diesel S-RGS	R5M21-1	5M/T	-
	K15T	4G64-3 (2.4)	x	Single	x	-	MPI	R5M21-1	5M/T	-
L200 4WD	K24T	4D56-2 (2.5)	x	Single	-	-	Diesel S-RGS	V5M21-1	5M/T	x
	K34T	4D56-2 (2.5)	x	Single	-	-	Diesel S-RGS	V5M21-1	5M/T	x
							x	Diesel S-RGS	V5M21-1	5M/T



## GENERAL EXPORT for 1996

Brand	Vehicle Model	Engine					Fuel System	Transmission		
		Model (lit.)	Silent shaft	Camshaft	Lash adjuster	Turbo charger		Model	Type	4WD
L200 4WD	K32T	4G63-8 (2.0)	–	Single	–	–	CARB	V5M21-1	5M/T	×
	K35T	4G64-3 (2.4)	×	Single	×	–	MPI	V5M21-1	5M/T	×
L300	P03V P13W	4G63-B (2.0)	–	Single	×	–	CARB	R5M21-2	5M/T	–
	P13V	4G63-B (2.0)	–	Single	×	–	CARB	R5M21-2	5M/T	–
		4G63-6 (2.0)	×	Single	×	–	MPI	R5M21-2	5M/T	–
	P03W	4G63-8 (2.0)	–	Single	–	–	CARB	R5M21-2	5M/T	–
	P15V P15W	4D56-2 (2.5)	×	Single	–	–	Diesel S-RGS	R5M21-2	5M/T	–
	P06V P16V	4G92-0 (1.6)	–	Single	–	–	CARB	R5M21-2	5M/T	–
ELEC CARB							R5M21-2	5M/T	–	
L300 4WD	P23W	4G63-8 (2.0)	–	Single	–	–	CARB	V5M21-2	5M/T	×
		4G63-B (2.0)	–	Single	×	–	CARB	V5M21-2	5M/T	×
L400	PA3V PB3V	4G63-B (2.0)	–	Single	×	–	CARB	R5M21-7	5M/T	–
		4G63-A (2.0)	×	Single	×	–	ELEC CARB	R5M21-7	5M/T	–
	PA3W	4G63-B (2.0)	–	Single	×	–	CARB	R5M21-7 R4AW2-5	5M/T 4A/T	– –
		4G63-6 (2.0)	×	Single	×	–	MPI	R5M21-7	5M/T	–

## GENERAL EXPORT for 1996

Brand	Vehicle Model	Engine					Fuel System	Transmission		
		Model (lit.)	Silent shaft	Camshaft	Lash adjuster	Turbo charger		Model	Type	4WD
L400	PB4V	4G64-2 (2.4)	×	Single	×	–	MPI	R5M21-7	5M/T	–
	PA4W	4G64-2 (2.4)	×	Single	×	–	MPI	R4AW2-5	4A/T	–
	PC3W	4G63-B (2.0)	–	Single	×	–	CARB	R5M21-7	5M/T	–
	PB5V	4D56-2 (2.5)	×	Single	–	×	Diesel S-RGS	R5M21-7	5M/T	–
	PA5W PC5W	4D56-2 (2.5)	×	Single	–	×	Diesel S-RGS	R5M21-7 R4AW2-5	5M/T 4A/T	– –
	PD3W	4G63-B (2.0)	–	Single	×	–	CARB	V5M21-7	5M/T	×
	PD4W	4G64-2 (2.4)	×	Single	×	–	MPI	V5M21-7	5M/T	×
	PD5W	4D56-2 (2.5)	×	Single	–	×	Diesel S-RGS	V5M21-7	5M/T	×
3000GT	Z16A	6G72-4 (3.0)	–	Four	×	×	MPI	W5MG1-2	5M/T	×

## AUSTRALIA for 1996

Brand	Vehicle Model	Engine					Fuel System	Transmission		
		Model (lit.)	Silent shaft	Camshaft	Lash adjuster	Turbo charger		Model	Type	4WD
Lancer/ Lancer Wagon	CA2A CB2A	4G15-2 (1.5)	-	Single	-	-	CARB	F5M21-1 F3A21-2	5M/T 3A/T	-- --
	CA5A CB5A CB5W	4G93-0 (1.8)	-	Single	-	-	MPI	F5M22-2 F4A22-2	5M/T 4A/T	-- --
Space Wagon	N34W	4G64-2 (2.4)	x	Single	x	-	MPI	F5M31-2 F4A23-2	5M/T 4A/T	-- --
Galant	E54A	6A12-0 (2.0)	-	Four	x	-	MPI	F5M31-2 F4A23-2	5M/T 4A/T	-- --
	E55A	4G63-6 (2.0)	x	Single	x	-	MPI	F5M31-2 F4A23-2	5M/T 4A/T	-- --
Pajero/ Montero	V23W V43W	6G72-1 (3.0)	-	Double	x	-	MPI	V5MT1-6 V4AW2-7	5M/T 4A/T	x x
	V36W	4M40 (2.8)	x	Single	-	x	Diesel S-RGS	V5M21-6	5M/T	x
	V46W	4M40 (2.8)	x	Single	-	x	Diesel S-RGS	V5M31-5	5M/T	x
	V45W	6G74-1 (3.5)	-	Four	x	-	MPI	F4AW3-7	4A/T	--
L200	K13T	4G54-1 (2.6)	x	Single	x	-	CARB	R5M21-1	5M/T	--
	K14T	4D56-2 (2.5)	x	Single	-	-	Diesel S-RGS	R5M21-1	5M/T	--
L200 4WD	K33T	4G54-1 (2.6)	-	Single	-	-	CARB	V5M21-1	5M/T	x
	K34T	4D56-2 (2.5)	x	Single	-	x	Diesel S-RGS	V5M21-1	5M/T	x
	K36T	6G72-1 (3.0)	-	Single	x	-	MPI	V5MT1-2	5M/T	x

## AUSTRALIA for 1996

Brand	Vehicle Model	Engine					Fuel System	Transmission		
		Model (lit.)	Silent shaft	Camshaft	Lash adjuster	Turbo charger		Model	Type	4WD
L300	P03V	4G63-9 (2.0)	×	Single	×	–	CARB	R5M21-2 R4AW2-2	5M/T 4A/T	– –
		4G63-A (2.0)	×	Single	×	–	CARB	R5M21-2 R4AW2-8	5M/T 4A/T	– –
	P03W	4G63-9 (2.0)	×	Single	×	–	CARB	R5M21-2 R4AW2-2	5M/T 4A/T	– –
	P05V P15V	4D56-2 (2.5)	×	Single	–	–	Diesel S-RGS	R5M21-5 R4AW2-8	5M/T 4A/T	– –
	P14V	4G64-2 (2.4)	×	Single	×	–	MPI	R5M21-2 R4AW2-8	5M/T 4A/T	– –
L300 4WD	P24V	4G64-2 (2.4)	×	Single	×	–	MPI	V5M21-2	5M/T	×
L400	PB4V PA4W	4G64-2 (2.4)	×	Single	×	–	MPI	R5M21-7 R4AW2-5	5M/T 4A/T	– –
	PA3W	4G63-A (2.0)	×	Single	×	–	CARB	R5M21-7 R4AW2-5	5M/T 4A/T	– –
	PB6W	6G72-8 (3.0)	–	Double	×	–	MPI	R4AW3-5	4A/T	–
3000GT	Z16A	6G72-4 (3.0)	–	Four	×	×	MPI	W5MG1-2	5M/T	×

## EUROPE for 1997

Brand	Vehicle Model	Engine					Fuel System	Transmission		
		Model (lit.)	Silent shaft	Camshaft	Lash adjuster	Turbo charger		Model	Type	4WD
Colt	CJ1A	4G13-3 (1.3)	-	Single	-	-	MPI	F5M41-1	5M/T	-
								F4A41-1	4A/T	-
	CJ4A	4G92-3 (1.6)	-	Single	-	-	MPI	F5M41-1 F4A41-1	5M/T 4A/T	- -
		4G92-8 (1.6)	-	Single	-	-	MPI	F5M41-1	5M/T	-
Lancer	CB4W	4G92-0 (1.6)	-	Single	-	-	MPI	F5M22-2 F4A22-2	5M/T 4A/T	- -
	CD4W	4G92-0 (1.6)	-	Single	-	-	MPI	W5M31-2	4A/T	×
	CK1A	4G13-3 (1.3)	-	Single	-	-	MPI	F5M41-1 F4A41-1	5M/T 4A/T	- -
	CK4A	4G92-3 (1.6)	-	Single	-	-	MPI	F5M41-1 F4A41-1	5M/T 4A/T	- -
Carisma	DA1A	4G92-2 (1.6)	-	Single	-	-	MPI	F5MR1 F4A42-1	5M/T 4A/T	- -
	DA2A	4G93-2 (1.8)	-	Single	-	-	MPI	F5MR1 F4A42-1	5M/T 4A/T	- -
		4G93-4 (1.8)	-	Double	×	-	MPI	F5MR1	5M/T	-
	DA4A	F8QT (1.8)	-	Single	-	-	MPI	F5MR1	5M/T	-
Space Runner	N11W	4G93-0 (1.8)	-	Single	-	-	MPI	F5M22-1 F4A22-2	5M/T 4A/T	- -
	N18W	4D68-0 (2.0)	×	Single	-	×	Diesel S-RGS	F5M31-1	5M/T	-
	N21W	4G93-0 (1.8)	-	Single	-	-	MPI	W5M31-2	5M/T	×
Space Wagon	N33W	4G63-6 (2.0)	×	Single	×	-	MPI	F5M22-1 F4A22-2	5M/T 4A/T	- -

## EUROPE for 1997

Brand	Vehicle Model	Engine					Fuel System	Transmission		
		Model (lit.)	Silent shaft	Camshaft	Lash adjuster	Turbo charger		Model	Type	4WD
Space Wagon	N34W	4G64-2 (2.4)	×	Single	×	–	MPI	F5M22-1 F4A23-2	5M/T 4A/T	– –
	N38W	4D68-0 (2.0)	×	Single	×	–	Diesel S-RGS	F5M31-1	5M/T	–
	N43W	4G63-6 (2.0)	×	Single	–	×	MPI	W5M31-2 W4A32-1	5M/T 4A/T	×
GALANT	EA2A EA2W	4G63-6 (2.0)	×	Single	×	–	MPI	F5M42-1 F4A42-1	5M/T 4A/T	– –
	EA5A EA5W	6A13-4 (2.5)	–	Double	×	–	MPI	F5M42-2 F4A42-2	5M/T 4A/T	– –
	EA6A EA6W	4D68-4 (2.0)	×	Single	–	×	Diesel S-RGS	F5M42-2 F4A42-2	5M/T 4A/T	– –
Pajero/ Montero	V23C V23W V43W	6G72-8 (3.0)	–	Double	×	–	MPI	V5MT1-6 V4AW3-7	5M/T 4A/T	×
	V24C V24W V44W	4D56-2 (2.5)	×	Single	–	×	Diesel S-RGS	V5MT1-6	5M/T	×
	V25W V45W	6G74-1 (3.5)	–	Four	×	–	MPI	V5M31-5 V4AW3-7	5M/T 4A/T	×
	V26W V46W	4M40 (2.8)	×	Single	–	×	Diesel S-RGS	V5M31-5 V4AW3-7	5M/T 4A/T	×
L200	K14T	4D56-2 (2.5)	×	Single	–	–	Diesel S-RGS	R5M21-1	5M/T	–
	K15T	4G64-3 (2.4)	×	Single	×	–	MPI	R5M21-1	5M/T	–
	K24T K34T	4D56-2 (2.5)	×	Single	–	×	Diesel S-RGS	V5M21-1	5M/T	×
	K35T	4D64-3 (2.4)	×	Single	×	–	MPI	V5M21-1	5M/T	×
	K62T	4G63-6 (2.0)	×	Single	×	–	MPI	R5M21-5 R4AW2-6	5M/T 4A/T	– –

## EUROPE for 1997

Brand	Vehicle Model	Engine					Fuel System	Transmission		
		Model (lit.)	Silent shaft	Camshaft	Lash adjuster	Turbo charger		Model	Type	4WD
L200	K64T	4D56-3 (2.5)	×	Single	–	×	Diesel S-RGS	R5M21-5	5M/T	–
	K75T	4G64-2 (2.4)	×	Single	×	–	MPI	V5M21-9	5M/T	×
	K74T	4D56-3 (2.5)	×	Single	–	×	Diesel S-RGS	V5MT1-4 V4AW2-6	5M/T 4A/T	×
L300	P03V P03W P13T P13V	4G63-6 (2.0)	×	Single	×	–	MPI	R5M21-8	5M/T	–
	P05V P05W P15T P15V	4D56-2 (2.5)	×	Single	–	×	Diesel S-RGS	R5M21-8	5M/T	–
	P25V P45V	4D56-2 (2.5)	×	Single	–	×	Diesel S-RGS	V5M21-8	5M/T	×
L400	PA3V PB3V	4G63-6 (2.0)	×	Single	×	–	MPI	R5M21-7	5M/T	–
	PA5V PB5V	4D56-2 (2.5)	×	Single	–	×	Diesel S-RGS	R5M21-7	5M/T	–
	PD4V	4G64-2 (2.4)	×	Single	×	–	MPI	V5M21-7	5M/T	×
	PD5V	4D56-2 (2.5)	×	Single	–	×	Diesel S-RGS	V5M21-7	5M/T	×
Space Gear	PA3W	4G63-6 (2.0)	×	Single	×	–	MPI	R5M21-7 R4AW2-5	5M/T	–
	PA4W	4G64-2 (2.4)	×	Single	×	–	MPI	R5M21-7 R4AW2-5	5M/T 4A/T	–
	PA5W	4D56-2 (2.5)	×	Single	–	×	Diesel S-RGS	R5M31-7	5M/T	–

## EUROPE for 1997

Brand	Vehicle Model	Engine					Fuel System	Transmission		
		Model (lit.)	Silent shaft	Camshaft	Lash adjuster	Turbo charger		Model	Type	4WD
Space Gear	PD4W	6G64-2 (2.4)	×	Single	×	–	MPI	V5M21-7	5M/T	×
	PD5W	4D56-2 (2.5)	×	Single	–	×	Diesel S-RGS	V5M31-7	5M/T	×
3000GT	Z16A	6G72-4 (3.0)	–	Four	×	×	MPI	W6MG1-0	6M/T	×
Eclipse	D32A	4G63-7 (2.0)	×	Double	×	–	MPI	F5M31-2	5M/T	–



## GENERAL EXPORT for 1997

Brand	Vehicle Model	Engine					Fuel System	Transmission		
		Model (lit.)	Silent shaft	Camshaft	Lash adjuster	Turbo charger		Model	Type	4WD
Colt	CJ1A	4G13-3 (1.3)	–	Single	–	–	CARB	F5M41-1	5M/T	–
		4G13-3 (1.3)	–	Single	–	–	MPI	F5M41-1	5M/T	–
	CJ2A	4G15-5 (1.5)	–	Single	–	–	CARB	F5M41-1	5M/T	–
	CJ4A	4G92-3 (1.6)	–	Single	–	–	MPI	F5M41-1 F4A41-1	5M/T 4A/T	– –
Lancer	CB1W	4G13-2 (1.3)	–	Single	–	–	CARB	F5M21-1 F3A21-2	5M/T 3A/T	– –
	CB2W	4G15-2 (1.5)	–	Single	–	–	CARB	F5M21-1 F3A21-2	5M/T 3A/T	– –
	CB4W	4G92-0 (1.6)	–	Single	–	–	MPI	F5M22-2 F4A22-2	5M/T 4A/T	– –
	CK1A	4G13-3 (1.3)	–	Single	–	–	CARB	F5M41-1 F4A41-1	5M/T 4A/T	– –
		4G13-3 (1.3)	–	Single	–	–	MPI	F5M41-1 F4A41-1	5M/T 4A/T	– –
	CK2A	4G15-5 (1.5)	–	Single	–	–	MPI	F5M41-1 F4A41-1	5M/T 4A/T	– –
		4G15-4 (1.5)	–	Double	–	–	MPI	F5M41-1 F4A41-1	5M/T 4A/T	– –
	CK4A	4G92-3 (1.6)	–	Single	–	–	MPI	F5M41-1 F4A41-1	5M/T 4A/T	– –
4G92-7 (1.6)		–	Double	–	–	MPI	F5M42-1 F4A42-1	5M/T 4A/T	– –	
Space Runner	N11W	4G93-0 (1.8)	–	Single	–	–	MPI	F5M22-1 F4A22-2	5M/T 4A/T	– –
Space Wagon	N31W	4G93-0 (1.8)	–	Single	–	–	CARB	F5M22-1 F4A22-2	5M/T 4A/T	– –

## GENERAL EXPORT for 1997

Brand	Vehicle Model	Engine					Fuel System	Transmission		
		Model (lit.)	Silent shaft	Camshaft	Lash adjuster	Turbo charger		Model	Type	4WD
Space Wagon	N33W	4G63-6 (2.0)	x	Single	x	-	MPI	F5M22-1	5M/T	-
								F4A22-2	4A/T	-
Galant	EA1A	4G93-9 (1.8)	-	Single	-	-	CARB	F5M42-1 F4A42-1	5M/T 4A/T	- -
	EA2A	4G63-6 (2.0)	x	Single	x	-	CARB	F5M42-1 F4A42-1	5M/T 4A/T	- -
	EA5A	6A13-4 (2.5)	-	Double	x	-	MPI	F5M42-2 F4A42-2	5M/T 4A/T	- -
Pajero/ Montero	V11V V31V	4G64-6	x	Single	x	-	CARB	V5M21-6	5M/T	x x
	V13V V33V	6G72-1 (3.0)	-	Double	x	-	MPI	V5MT1-6	5M/T	x
	V14V V14C V34V	4D56-2 (2.5)	x	Single	-	-	Diesel S-RGS	V5M21-6	5M/T	x
	V11W V31V	4G64-2	x	Single	x	-	MPI	V5M21-6	5M/T	x
	V31W	4G64-2	x	Single	x	-	MPI	V5M21-6 V4AW2-A	5M/T 4A/T	x x
	V23W	6G72-1 (3.0)	-	Double	x	-	MPI	V5MT1-6 V4AW2-2	5M/T 4A/T	x x
	V24W V44W	4D56-2 (2.5)	x	Single	-	x	Diesel S-RGS	V5MT1-6	5M/T	x
	V43W	6G72-1 (3.0)	-	Double	x	-	MPI	V5MT1-6 V4AW2-7	5M/T 4A/T	x x
	V25W V45W	6G74-1 (3.5)	-	Four	x	-	MPI	V5M31-5 V4AW3-7	5M/T 4A/T	x x
	V36V V36W	4M40 (2.8)	x	Single	-	-	Diesel S-RGS	V5M21-6	5M/T	x

## GENERAL EXPORT for 1997

Brand	Vehicle Model	Engine					Fuel System	Transmission			
		Model (lit.)	Silent shaft	Camshaft	Lash adjuster	Turbo charger		Model	Type	4WD	
Pajero/ Montero	V44W	4D56-2 (2.5)	×	Single	–	×	Diesel S-RGS	V5MT1-6 V4AW2-7	5M/T 4A/T	×	×
	V46W	4M40 (2.8)	×	Single	–	×	Diesel S-RGS	V5M31-5 V4AW3-7	5M/T 4A/T	×	×
L200	K02T K12T	4G63-8 (2.0)	–	Single	–	–	CARB	R5M21-1	5M/T	–	–
	K03T K13T	4G54-1 (2.6)	–	Single	–	–	CARB	R5M21-1	5M/T	–	–
	K14T	4G56-2 (2.5)	×	Single	–	–	Diesel S-RGS	R5M21-5	5M/T	–	–
	K15T	4G64-3 (2.4)	×	Single	×	–	MPI	R5M21-9	5M/T	–	–
	K24T K34T	4D56-2 (2.5)	×	Single	–	–	Diesel S-RGS	V5M21-5	5M/T	×	×
	K34T	4D56-2 (2.5)	×	Single	–	×	Diesel S-RGS	V5M21-5	5M/T	×	×
	K32T	4G63-8 (2.0)	–	Single	–	–	CARB	V5M21-1	5M/T	×	×
	K35T	4G64-3 (2.4)	×	Single	×	–	MPI	V5M21-9	5M/T	×	×
	K62T	4G63-6 (2.0)	×	Single	–	–	CARB MPI	R5M21-5	5M/T	–	–
	K64T	4D56-3 (2.5)	×	Single	–	–	Diesel S-RGS	R5M21-5	5M/T	–	–
	K65T	4G64-2 (2.4)	×	Single	–	–	MPI	R5M21-5 R4AW2-6	5M/T 4A/T	–	–
	K72T	4G63-6 (2.0)	×	Single	–	–	CARB MPI	V5M21-5	5M/T	×	×

## GENERAL EXPORT for 1997

Brand	Vehicle Model	Engine					Fuel System	Transmission		
		Model (lit.)	Silent shaft	Camshaft	Lash adjuster	Turbo charger		Model	Type	4WD
L200	K74T	4D56-3 (2.5)	×	Single	–	–	Diesel S-RGS	V5M21-5	5M/T	×
	K75T	4G64-2 (2.4)	×	Single	–	–	MPI	V5M21-5	5M/T	×
L300	P06V	4G93-0 (1.8)	–	Single	–	–	CARB	R5M21-2	5M/T	–
	P03V P03W P13W	4G63-B (2.0)	×	Single	×	–	CARB	R5M21-2	5M/T	–
	P13V	4G63-6 (2.0)	×	Single	×	–	MPI	R5M21-2	5M/T	–
		4G63-B (2.0)	×	Single	×	–	CARB	R5M21-2	5M/T	–
	P15V P15W	4D56-2 (2.5)	×	Single	–	–	Diesel S-RGS	R5M21-2	5M/T	–
	P23W	4G63-B (2.0)	×	Single	×	–	CARB	V5M21-2	5M/T	×
	L400	PA3V PB3V	4G63-B (2.0)	–	Single	×	–	CARB	R5M21-7	5M/T
PB4V		4G64-2 (2.4)	×	Single	×	–	MPI	R5M21-7	5M/T	–
PB5V		4D56-2 (2.5)	×	Single	–	×	Diesel S-RGS	R5M31-7	5M/T	–
Space Gear	PA3W	4G63-B (2.0)	×	Single	×	–	CARB	R5M21-7 R4AW2-5	5M/T 4A/T	–
		4G63-6 (2.0)	×	Single	×	–	MPI	R5M21-7	5M/T	–
	PC3W	4G63-B (2.0)	×	Single	×	–	CARB	R5M21-7	5M/T	–
	PA4W	4G64-2 (2.4)	×	Single	×	–	MPI	R5M21-7 R4AW2-5	5M/T 4A/T	– –

## GENERAL EXPORT for 1997

Brand	Vehicle Model	Engine					Fuel System	Transmission		
		Model (lit.)	Silent shaft	Camshaft	Lash adjuster	Turbo charger		Model	Type	4WD
Space Gear	PA5W	4D56-2 (2.5)	×	Single	–	×	Diesel S-RGS	R5M31-7	5M/T	–
	PD3W	4G63-B (2.0)	×	Single	×	–	MPI	V5M21-7	5M/T	×
	PD4W	4G64-2 (2.4)	×	Single	×	–	MPI	V5M21-7	5M/T	×
	PD5W	4D56-2 (2.5)	×	Single	–	×	Diesel S-RGS	V5M31-7	5M/T	×
SIGMA	F36A	6G72-5 (3.0)	–	Double	×	–	MPI	F5M51-1 F4A51-2	5M/T 4A/T	– –
3000GT	Z16A	6G72-4 (3.0)	–	Four	×	×	MPI	W5MG1-2	6M/T	×
Eclipse	D32A	4G63-7 (2.0)	×	Double	×	–	MPI	F5M31-2	5M/T	–

## AUSTRALIA for 1997

Brand	Vehicle Model	Engine					Fuel System	Transmission		
		Model (lit.)	Silent shaft	Camshaft	Lash adjuster	Turbo charger		Model	Type	4WD
Mirage	CJ2A	4G15-3 (1.5)	–	Single	–	–	MPI	F5M41-1 F4A41-1	5M/T 4A/T	– –
	CJ5A	4G93-3 (1.8)	–	Single	–	–	MPI	F5M41-1 F4A41-1	5M/T 4A/T	– –
Lancer Wagon	CB5W	4G93-0 (1.8)	–	Single	–	–	MPI	F5M22-2 F4A22-2	5M/T 4A/T	– –
Lancer	CK2A	4G15-3 (1.5)	–	Single	–	–	MPI	F5M41-1 F4A41-1	5M/T 4A/T	– –
	CK5A	4G93-3 (1.8)	–	Single	–	–	MPI	F5M41-1 F4A41-1	5M/T 4A/T	– –
Space Wagon	N34W	4G64-6 (2.4)	×	Single	×	–	MPI	F5M31-2 F4A23-2	5M/T 4A/T	– –
Pajero/ Montero	V23W V43W	6G72-1 (3.0)	–	Double	×	–	MPI	V5MT1-6 V4AW2-7	5M/T 4A/T	×
	V36W	4M40 (2.8)	×	Single	–	×	Diesel S-RGS	V5M21-6	5M/T	×
	V46W	4M40 (2.8)	×	Single	–	×	Diesel S-RGS	V5M31-5	5M/T	×
	V45W	6G74-1 (3.5)	–	Four	×	–	MPI	V4AW3-7	4A/T	×
	L200	K65T	4G64-2 (2.4)	×	Single	×	–	MPI	R5M21-5 R4AW2-6	5M/T 4A/T
	K67T	4M40 (2.8)	×	Single	–	–	Diesel S-RGS	R5M21-6	5M/T	–
	K76T	6G72-8 (3.0)	–	Double	×	–	MPI	V5MT1-4 V4AW3-6	5M/T 4A/T	×
	K77T	4M40 (2.8)	×	Single	–	–	Diesel S-RGS	V5M21-6	5M/T	×

## AUSTRALIA for 1997

Brand	Vehicle Model	Engine					Fuel System	Transmission		
		Model (lit.)	Silent shaft	Camshaft	Lash adjuster	Turbo charger		Model	Type	4WD
L300	P03V	4G63-9 (2.0)	x	Single	x	-	CARB	R5M21-2 R4AW2-2	5M/T 4A/T	- -
		4G63-A (2.0)	x	Single	x	-	CARB	R5M21-2 R4AW2-8	5M/T 4A/T	- -
	P03W	4G63-9 (2.0)	x	Single	x	-	CARB	R5M21-2 R4AW2-2	5M/T 4A/T	- -
	P05V P15V	4D56-2 (2.5)	x	Single	-	-	Diesel S-RGS	R5M21-2	5M/T	-
	P14V	4G64-2 (2.4)	x	Single	x	-	MPI	R5M21-2 R4AW2-8	5M/T 4A/T	- -
	P24V	4G64-2 (2.4)	x	Single	x	-	MPI	V5M21-2	5M/T	x
L400	PB4V PA4W	4G64-2 (2.4)	x	Single	x	-	MPI	R5M21-7 R4AW2-5	5M/T 4A/T	- -
	PA3W	4G63-A (2.0)	x	Single	x	-	CARB	R5M21-7 R4AW2-5	5M/T 4A/T	- -
	PB6W	6G72-8 (3.0)	-	Double	x	-	MPI	R4AW3-5	4A/T	-
SIGMA	F36A	6G72-5 (3.0)	-	Double	x	-	MPI	F5M51-1 F4A51-2	5M/T 4A/T	- -
3000GT	Z16A	6G72-4 (3.0)	-	Four	x	x	MPI	W5MG1-2	6M/T	x

## EUROPE for 1998

Brand	Vehicle Model	Engine					Fuel System	Transmission		
		Model (lit.)	Silent shaft	Camshaft	Lash adjuster	Turbo charger		Model	Type	4WD
Colt	CJ1A	4G13-3 (1.3)	-	Single	-	-	MPI	F5M41-1 F4A41-1	5M/T 4A/T	- -
	CJ4A	4G92-3 (1.6)	-	Single	-	-	MPI	F5M41-1 F4A41-1	5M/T 4A/T	- -
		4G92-8 (1.6)	-	Single	-	-	MPI	F5M41-1	5M/T	-
Lancer	CB4W	4G92-0 (1.6)	-	Single	-	-	MPI	F5M22-2 F4A22-2	5M/T 4A/T	- -
	CD4W	4G92-0 (1.6)	-	Single	-	-	MPI	W5M31-2	5M/T	x
	CK1A	4G13-3 (1.3)	-	Single	-	-	MPI	F5M41-1 F4A41-1	5M/T 4A/T	- -
Carisma	DA1A	4G92-2 (1.6)	-	Single	-	-	MPI	F5MR1(JB3) F4A41-1	5M/T 4A/T	- -
	DA2A	4G93-2 (1.8)	-	Single	-	-	MPI	F5MR1(JB3) F4A42-1	5M/T 4A/T	- -
		4G93-G (1.8)	-	Double	x	-	GDI	F5M42-1 F4A42-1	5M/T 4A/T	-
	DA4A	F8QT (1.8)	-	Single	-	-	Diesel S-QGS	F5MR3 (JC5)	5M/T	-
Space Runner	N11W	4G93-0 (1.8)	-	Single	-	-	MPI	F5M22-1 F4A22-2	5M/T 4A/T	- -
	N18W	4D68-0 (2.0)	x	Single	-	x	Diesel S-RGS	F5M31-1	5M/T	-
	N21W	4G93-0 (1.8)	-	Single	-	-	MPI	W5M31-2	5M/T	x
Space Wagon	N33W	4G63-6 (2.0)	x	Single	x	-	MPI	F5M22-1 F4A22-2	5M/T 4A/T	- -
	N38W	4D68-0 (2.0)	x	Single	-	x	Diesel S-RGS	F5M31-1	5M/T	-
	N43W	4G63-6 (2.0)	x	Single	-	x	MPI	W5M31-2 W4A32-1	5M/T 4A/T	x x



## EUROPE for 1998

Brand	Vehicle Model	Engine					Fuel System	Transmission		
		Model (lit.)	Silent shaft	Camshaft	Lash adjuster	Turbo charger		Model	Type	4WD
Galant	EA2A EA2W	4G63-6 (2.0)	×	Single	×	-	MPI	F5M42-2 F4A42-2	5M/T 4A/T	- -
	EA5A EA5W	6A13-4 (2.5)	-	Double	×	-	MPI	F5M42-2 F4A42-2	5M/T 4A/T	- -
	EA6A EA6W	4D68-4 (2.0)	×	Single	-	×	Diesel S-RGS	F5M42-2	5M/T	-
Pajero/ Montero	V23C V23W	6G72-8 (3.0)	-	Double	×	-	MPI	V5MT1-6 V4AW3-B	5M/T 4A/T	×
	V24C V24W V44W	4D56-2 (2.5)	×	Single	-	×	Diesel S-RGS	V5MT1-6	5M/T	×
	V25W V45W	6G74-1 (3.5)	-	Four	×	-	MPI	V5M31-5 V4AW3-B	5M/T 4A/T	×
	V26W	4M40 (2.8)	×	Single	-	×	Diesel S-RGS	V5M31-5	5M/T	×
	V43W	6G72-8 (3.0)	-	Double	×	-	MPI	V5MT1-6 V4AW3-B V4AW3-7	5M/T 4A/T 4A/T	×
	V46W	4M40 (2.8)	×	Single	-	×	Diesel S-RGS	V5M31-5 V4AW3-B	5M/T 4A/T	×
	V47W	4M40 (2.8)	×	Single	-	×	Diesel S-RGS	V5M31-5 V4AW3-B	5M/T 4A/T	×
L200	K62T	4G63-6 (2.0)	×	Single	×	-	MPI	R5M21-5 R4AW2-6	5M/T 4A/T	- -
	K64T	4D56-3 (2.5)	×	Single	-	-	Diesel S-RGS	R5M21-5	5M/T	-
	K74T	4D56-3 (2.5)	×	Single	-	×	Diesel S-RGS	V5MT1-4 V4AW2-6	5M/T 4A/T	×
	K75T	4G64-2 (2.4)	×	Single	×	-	MPI	V5M21-9	5M/T	×

## EUROPE for 1998

Brand	Vehicle Model	Engine					Fuel System	Transmission		
		Model (lit.)	Silent shaft	Camshaft	Lash adjuster	Turbo charger		Model	Type	4WD
L300	P03V P13V	4G63-6 (2.0)	×	Single	×	–	MPI	R5M21-2	5M/T	–
	P05V P15V	4D56-2 (2.5)	×	Single	–	×	Diesel S-RGS	R5M21-2	5M/T	–
	P13T	4G63-6 (2.0)	×	Single	×	–	MPI	R5M21-2	5M/T	–
	P15T	4D56-2 (2.5)	×	Single	–	×	Diesel S-RGS	R5M21-2	5M/T	–
	P45V	4D56-2 (2.5)	×	Single	–	×	Diesel S-RGS	V5M21-2	5M/T	×
L400	PA3V PB3V	4G63-6 (2.0)	×	Single	×	–	MPI	R5M21-7	5M/T	–
	PA5V PB5V	4D56-2 (2.5)	×	Single	–	×	Diesel S-RGS	R5M21-7	5M/T	–
	PD4V	4G64-2 (2.4)	×	Single	×	–	MPI	V5M21-7	5M/T	×
	PD5V	4D56-2 (2.5)	×	Single	–	×	Diesel S-RGS	V5M21-7	5M/T	×
Space Gear	PA3W	4G63-6 (2.0)	×	Single	×	–	MPI	R5M21-7 R4AW2-5	5M/T 4A/T	– –
	PA4W	4G64-2 (2.4)	×	Single	×	–	MPI	R5M21-7 R4AW2-5 R4AW2-8	5M/T 4A/T 4A/T	– – –
	PA5W	4D56-2 (2.5)	×	Single	–	×	Diesel S-RGS	R5M31-7	5M/T	–
	PD4W	4G64-2 (2.4)	×	Single	×	–	MPI	V5M21-7	5M/T	×
	PD5W	4D56-2 (2.5)	×	Single	–	×	Diesel S-RGS	V5M31-7	5M/T	×
3000GT	Z16A	6G72-4 (3.0)	–	Four	×	×	MPI	W6MG1-0	6M/T	×
Eclipse	D32T	4G63-7 (2.0)	×	Double	×	–	MPI	F5M31-2	5M/T	–

## GENERAL EXPORT for 1998

Brand	Vehicle Model	Engine					Fuel System	Transmission		
		Model (lit.)	Silent shaft	Camshaft	Lash adjuster	Turbo charger		Model	Type	4WD
Colt	CJ1A	4G13-3 (1.3)	–	Single	–	–	CARB	F5M41-1	5M/T	–
		4G13-5 (1.3)	–	Single	–	–	CARB	F5M41-1	5M/T	–
	CJ2A	4G15-5 (1.5)	–	Single	–	–	CARB	F5M41-1 F4M41-1	5M/T 4A/T	– –
		CJ4A	4G92-3 (1.6)	–	Single	–	–	MPI	F5M41-1 F4A41-1	5M/T 4A/T
Lancer	CB1W	4G13-2 (1.3)	–	Single	–	–	CARB	F5M21-1 F3A21-2	5M/T 3A/T	– –
	CB2W	4G15-2 (1.5)	–	Single	–	–	CARB	F5M21-1 F3A21-2	5M/T 3A/T	– –
	CB4W	4G92-0 (1.6)	–	Single	–	–	MPI	F5M22-2 F4A22-2	5M/T 4A/T	– –
	CK1A	4G13-5 (1.3)	–	Single	–	–	CARB	F5M41-1 F4A41-1	5M/T 4A/T	– –
		4G13-3 (1.3)	–	Single	–	–	MPI	F5M41-1 F4A41-1	5M/T 4A/T	– –
	CK2A	4G15-5 (1.5)	–	Single	–	–	CARB	F5M41-1 F4A41-1	5M/T 4A/T	– –
		4G15-4 (1.5)	–	Single	–	–	MPI	F5M41-1 F4A41-1	5M/T 4A/T	– –
	CK4A	4G92-3 (1.6)	–	Single	–	–	MPI	F5M41-1 F4A41-1	5M/T 4A/T	– –
		4G92-7 (1.6)	–	Double	–	–	MPI	F5M42-1 F4A42-1	5M/T 4A/T	– –
	Space Wagon	N31W	4G93-0 (1.8)	–	Single	–	–	CARB	F5M22-1 F4A22-2	5M/T 4A/T
N33W		4G63-6 (2.0)	×	Single	–	–	MPI	F5M22-1 F4A22-2	5M/T 4A/T	– –

## GENERAL EXPORT for 1998

Brand	Vehicle Model	Engine					Fuel System	Transmission		
		Model (lit.)	Silent shaft	Camshaft	Lash adjuster	Turbo charger		Model	Type	4WD
Galant	EA1A	4G93-9 (1.8)	-	Single	-	-	CARB	F5M42-1 F4A42-1	5M/T 4A/T	- -
		4G63-E (2.0)	x	Single	x	-	CARB	F5M42-1 F4A42-1	5M/T 4A/T	- -
		4G63-6 (2.0)	x	Single	x	-	CARB	F5M42-1 F4A42-1	5M/T 4A/T	- -
	EA4A	6A12-2 (2.0)	-	Double	x	-	MPI	F5M42-2 F4A42-1	5M/T 4A/T	- -
	EA5A	6A13-4 (2.5)	-	Double	x	-	MPI	F5M42-2 F4A42-2	5M/T 4A/T	- -
	EA6A	4D68-2 (2.0)	x	Single	-	x	Diesel S-RGS	F5M42-2	5M/T	-
Pajero/ Montero	V11V V31V	4G64-6 (2.4)	x	Single	x	-	CARB	V5M21-6	5M/T	x
		4G64-2 (2.4)	x	Single	x	-	MPI	V5M21-6	5M/T	x
	V13V V33V V33W	6G72-1 (3.0)	-	Double	x	-	MPI	V5MT1-6	5M/T	x
		4D56-2 (2.5)	x	Single	-	x	Diesel S-RGS	V5MT1-6	5M/T	x
	V14V V14C V34V	4D56-2 (2.5)	x	Single	-	-	Diesel S-RGS	V5M21-6	5M/T	x
	V23W	6G72-8 (3.0)	-	Double	x	x	MPI	V5MT1-6	5M/T	x
		6G72-1 (3.0)	-	Double	x	-	MPI	V5MT1-6 V4AW2-7	5M/T 4A/T	x x
	V25W V45W	6G74-1 (3.5)	-	Four	x	-	MPI	V5M31-5 V4AW3-B	5M/T 4A/T	x x
V26W	4M40 (3.5)	x	Single	-	-	Diesel S-RGS	V5M31-5	5M/T	x	

## GENERAL EXPORT for 1998

Brand	Vehicle Model	Engine					Fuel System	Transmission			
		Model (lit.)	Silent shaft	Camshaft	Lash adjuster	Turbo charger		Model	Type	4WD	
Pajero/ Montero	V31W	4G64-2 (2.4)	×	Single	×	–	MPI	V5M21-6 V4AW2-A	5M/T 4A/T	×	×
	V33W	6G72-1 (3.0)	–	Double	×	–	MPI	V5M21-6	5M/T	×	×
	V36V V36W	4M40 (2.8)	×	Single	–	–	Diesel S-RGS	V5M21-6	5M/T	×	×
	V43W	6G72-1 (3.0)	–	Double	×	–	MPI	V5M21-6 V4AW2-7	5M/T 4A/T	×	×
			6G72-8 (3.0)	–	Double	×	–	MPI	V5M21-6 V4AW3-7	5M/T 4A/T	×
	V44W	4D56-2 (2.5)	×	Single	–	×	Diesel S-RGS	V4AW3-7	4A/T	×	×
	V46W	4M40 (2.8)	×	Single	–	×	Diesel S-RGS	V5M31-5 V4AW3-B	5M/T 4A/T	×	×
L300	P03V P03W P13W	4G63-B (2.0)	×	Single	×	–	CARB	R5M21-2	5M/T	–	–
	P03W	4G63-B (2.0)	×	Single	×	–	CARB	R4AW2-8	4A/T	–	–
	P06V P16V	4G92-0 (1.6)	–	Single	–	–	CARB	R5M21-2	5M/T	–	–
	P13V	4G63-6 (2.0)	×	Single	×	–	MPI	R5M21-2	5M/T	–	–
			4G63-B (2.0)	×	Single	×	–	CARB	R5M21-2	5M/T	–
	P15V P15W	4D56-2 (2.5)	×	Single	–	–	Diesel S-RGS	R5M21-2	5M/T	–	–
	P23W	4G63-B (2.0)	×	Single	×	–	CARB	V5M21-2	5M/T	×	×
L400	PB3V	4G63-B (2.0)	–	Single	×	–	CARB	R5M21-7	5M/T	–	–

## GENERAL EXPORT for 1998

Brand	Vehicle Model	Engine					Fuel System	Transmission		
		Model (lit.)	Silent shaft	Camshaft	Lash adjuster	Turbo charger		Model	Type	4WD
Space Gear	PA3W	4G63-B (2.0)	x	Single	x	-	CARB	R4AW2-5	4A/T	-
	PA4W	4G64-2 (2.4)	x	Single	x	-	MPI	R5M21-7 R4AW2-5	5M/T 4A/T	- -
	PA5W PC5W	4D56-2 (2.5)	x	Single	-	x	Diesel S-RGS	R5M21-7	5M/T	-
	PC3W	4G63-B (2.0)	x	Single	x	-	CARB	R5M21-7	5M/T	-
	PD3W	4G63-B (2.0)	x	Single	x	-	CARB	V5M21-7	5M/T	x
	PD4W	4G64-2 (2.4)	x	Single	x	-	MPI	V5M21-7	5M/T	x
	PD5W	4D56-2 (2.5)	x	Single	-	x	Diesel S-RGS	V5M21-7	5M/T	x
Sigma	F36A	6G72-5 (3.0)	-	Double	x	-	MPI	F5M51-1 F4A51-2	5M/T 4A/T	- -
3000GT	Z16A	6G72-4 (3.0)	-	Four	x	x	MPI	W5MG1-2	5M/T	x

## AUSTRALIA for 1998

Brand	Vehicle Model	Engine					Fuel System	Transmission		
		Model (lit.)	Silent shaft	Camshaft	Lash adjuster	Turbo charger		Model	Type	4WD
Space Wagon	N34W	4G64-2 (2.4)	x	Single	x	-	MPI	F5M31-2	5M/T	-
								F4A23-2	4A/T	-
Pajero/ Montero	V25W	6G74-8 (3.5)	-	Four	x	-	MPI	V5M31-5	5M/T	x
	V45W							V4AW3-B	4A/T	x
	V46W	4M40 (2.8)	x	Single	-	x	Diesel S-RGS	V5M31-5	5M/T	x
L200	K65T	4G64-2 (2.4)	x	Single	x	-	MPI	R5M21-5	5M/T	-
								R4AW2-6	4A/T	-
	K67T	4M40 (2.8)	x	Single	-	-	Diesel S-RGS	R5M21-5	5M/T	-
K76T	6G72-8 (3.0)	-	Double	x	-	MPI	V5MT1-4	5M/T	x	
							V4AW3-6	4A/T	x	
K77T	4M40 (2.8)	x	Single	-	-	Diesel S-RGS	V5M21-9	5M/T	x	
Challenger	K96T	6G72-8 (3.0)	-	Double	x	-	MPI	V5MT1-4	5M/T	x
								V4AW3-6	4A/T	x
L300	P03V	4G63-A (2.0)	x	Single	x	-	CARB	R5M21-2	5M/T	-
								R4AW2-8	4A/T	-
	P03W	4G63-6 (2.0)	x	Single	x	-	MPI	R5M21-2	5M/T	-
								R4AW2-8	4A/T	-
	P05V P15V	4D56-2 (2.5)	x	Single	-	-	Diesel S-RGS	R5M21-2	5M/T	-
P14V	4G64-2 (2.4)	x	Single	x	-	MPI	R5M21-2	5M/T	-	
								R4AW2-8	4A/T	-
P24V	4G64-2 (2.4)	x	Single	x	-	MPI	V5M21-2	5M/T	x	
L400	PA4A PB4V PB4W	4G64-2 (2.4)	x	Single	x	-	MPI	R5M21-7	5M/T	-
								R4AW2-5	4A/T	-
	PA3W	4G63-A (2.0)	x	Single	x	-	CARB	R5M21-7	5M/T	-
								R4AW2-5	4A/T	-

## AUSTRALIA for 1998

Brand	Vehicle Model	Engine					Fuel System	Transmission		
		Model (lit.)	Silent shaft	Camshaft	Lash adjuster	Turbo charger		Model	Type	4WD
Sigma	F36A	6G72-5 (3.0)	–	Double	×	–	MPI	F5M51-1	5M/T	–
								F4A51-2	4A/T	–
3000GT	Z16A	6G72-4 (3.0)	–	Four	×	×	MPI	W5MG1-2	5M/T	×



## EUROPE for 1999

Brand	Vehicle Model	Engine					Fuel System	Transmission		
		Model (lit.)	Silent shaft	Camshaft	Lash adjuster	Turbo charger		Model	Type	4WD
Space Star	DG1A	4G13-G (1.3)	-	Single	-	-	MPI	JB3-241	5M/T	-
	DG5A	4F93-G (1.8)	-	Double	x	-	GDI	F5M42-1	5M/T	-
Space Runner	N61W	4G93-G (1.8)	-	Double	x	-	GDI	F5M42-1 F4A42-1	5M/T 4A/T	- -
Space Wagon	N84W	4G64-G (2.4)	-	Double	x	-	GDI	F5M42-2 F4A42-2	5M/T 4A/T	- -
	N94W	4G64-G (2.4)	-	Double	x	-	GDI	F5M42-2 F4A42-2	5M/T 4A/T	- -
Galant	EA2A EA2W	4G63-G (2.0)	x	Single	x	-	MPI	F5M42-2 F4A42-2	5M/T 4A/T	- -
	EA3A EA3W	4A64-4 (2.4)	x	Double	x	-	GDI	F5M42-2 F4A42-2	5M/T 4A/T	- -
	EA5A EA5W	6A13-4 (2.5)	-	Double	x	-	MPI	F5M42-2 F4A42-2	5M/T 4A/T	- -
	EA6A EA6W	4D68-4 (2.0)	x	Single	-	x	Diesel S-RGS	F5M42-2	5M/T	-
Pajero/ Montero	V23C V23W	6G72-8 (3.0)	-	Double	x	-	MPI	V5MT1-6 V4AW3-B	5M/T 4A/T	x x
	V24C V24W V44W	4D56-4 (2.5)	x	Single	-	x	Diesel S-RGS	V5MT1-6	5M/T	x
	V25W V45W	6G74-8 (3.5)	-	Four	x	-	MPI	V5M31-5 V4AW3-B	5M/T 4A/T	x x
	V26W	4M40 (2.8)	x	Single	-	x	Diesel S-RGS	V5M31-5	5M/T	x
	V43W	6G72-8 (3.0)	-	Double	x	-	MPI	V5MT1-6 V4AW3-B V4AW3-7	5M/T 4A/T 4A/T	x x x
	V46W	4M40 (2.8)	x	Single	-	x	Diesel S-RGS	V5M31-5 V4AW3-B	5M/T 4A/T	x x

## EUROPE for 1999

Brand	Vehicle Model	Engine					Fuel System	Transmission		
		Model (lit.)	Silent shaft	Camshaft	Lash adjuster	Turbo charger		Model	Type	4WD
L200	K62T	4G63-6 (2.0)	×	Single	×	–	MPI	R5M21-5 R4AW2-6	5M/T 4A/T	– –
	K64T	4D56-4 (2.5)	×	Single	–	–	Diesel S-RGS	R5M21-5	5M/T	–
	K74T	4D56-4 (2.5)	×	Single	–	×	Diesel S-RGS	V5MT1-4 V4AW2-6	5M/T 4A/T	×
	K75T	4G64-2 (2.4)	×	Single	×	–	MPI	V5M21-9	5M/T	×
Pajero Sport	K94W	4D56-4 (2.4)	×	Single	–	×	Diesel S-RGS	V5MT1-4	5M/T	×
	K96W	6G72-8 (3.0)	×	Four	×	–	MPI	V5MT1-4 V5MT1-6	5M/T 5M/T	×
Pajero io	H76W	4G93-H (1.8)	×	Double	×	–	GDI	V5M21-A V4AW4-D	5M/T 4A/T	×
L300	P03V P13V	4G63-6 (2.0)	×	Single	×	–	MPI	R5M21-2	5M/T	–
	P05V P15V	4D56-4 (2.5)	×	Single	–	×	Diesel S-RGS	R5M21-2	5M/T	–
	P13T	4G63-6 (2.0)	×	Single	×	–	MPI	R5M21-8	5M/T	–
	P15T	4D56-4 (2.5)	×	Single	–	×	Diesel S-RGS	R5M21-8	5M/T	–
	P45V	4D56-4 (2.5)	×	Single	–	×	Diesel S-RGS	V5M21-2	5M/T	×
L400	PA3V PB3V	4G63-6 (2.0)	×	Single	×	–	MPI	R5M21-7	5M/T	–
	PA5V PB5V	4D56-4 (2.5)	×	Single	–	×	Diesel S-RGS	R5M21-7	5M/T	–
	PD4V	4G64-2 (2.4)	×	Single	×	–	MPI	V5M21-7	5M/T	×
	PD5V	4D56-2 (2.5)	×	Single	–	×	Diesel S-RGS	V5M21-7	5M/T	×

## EUROPE for 1999

Brand	Vehicle Model	Engine					Fuel System	Transmission		
		Model (lit.)	Silent shaft	Camshaft	Lash adjuster	Turbo charger		Model	Type	4WD
Space Gear	PA3W	4G63-6 (2.0)	×	Single	×	–	MPI	R5M21-7 R4AW2-5	5M/T 4A/T	– –
	PA4W	4G64-2 (2.4)	×	Single	×	–	MPI	R5M21-7 R4AW2-5 R4AW2-8	5M/T 4A/T 4A/T	– – –
	PA5W	4D56-4 (2.5)	×	Single	–	×	Diesel S-RGS	R5M31-7	5M/T	–
	PD4W	4G64-2 (2.4)	×	Single	×	–	MPI	V5M21-7	5M/T	×
	PD5W	4D56-4 (2.5)	×	Single	–	×	Diesel S-RGS	V5M31-7	5M/T	×
3000GT	Z16A	6G72-4 (3.0)	–	Four	×	×	MPI	W6MG1-0	6M/T	×
Eclipse	D32A	4G63-7 (2.0)	×	Double	×	–	MPI	F5M31-2	5M/T	×

## GENERAL EXPORT for 1999

Brand	Vehicle Model	Engine					Fuel System	Transmission		
		Model (lit.)	Silent shaft	Camshaft	Lash adjuster	Turbo charger		Model	Type	4WD
Colt	CJ1A	4G13-5 (1.3)	-	Single	-	-	CARB	F5M41-1	5M/T	-
	CJ2A	4G15-5 (1.5)	-	Single	-	-	CARB	F5M41-1 F4A41-1	5M/T 4A/T	-
	CJ4A	4G92-3 (1.6)	-	Single	-	-	MPI	F5M41-1 F4A41-1	5M/T 4A/T	-
Lancer	CB1W	4G13-2 (1.3)	-	Single	-	-	CARB	F5M21-1 F3A21-2	5M/T 3A/T	-
	CB2W	4G15-2 (1.5)	-	Single	-	-	CARB	F5M21-1 F3A21-2	5M/T 3A/T	-
	CK1A	4G13-5 (1.3)	-	Single	-	-	CARB	F5M41-1 F4A41-1	5M/T 4A/T	-
	CK2A	4G15-5 (1.5)	-	Single	-	-	CARB	F5M41-1 F4A41-1	5M/T 4A/T	-
	CK4A	4G92-3 (1.6)	-	Single	-	-	MPI	F5M41-1 F4A41-1	5M/T 4A/T	-
Space Wagon	N84W	4G64-2 (2.4)	x	Double	x	-	GDI	F5M42-2 F4A42-2	5M/T 4A/T	-
Galant	EA1A	4G93-9 (1.8)	-	Single	-	-	CARB	F5M42-1 F4A42-1	5M/T 4A/T	-
	EA2A	4G63-E (2.0)	x	Single	x	-	MPI	F5M42-1 F4A42-1	5M/T 4A/T	-
	EA5A	6A13-4 (2.5)	-	Double	x	-	MPI	F5M42-2 F4A42-2	5M/T 4A/T	-
	EA6A	4D68-2 (2.0)	x	Single	-	x	Diesel S-RGS	F5M42-2	5M/T	-
Pajero/ Montero	V11V V31V	4G64-6 (2.4)	x	Single	-	-	CARB	V5M21-6	5M/T	x
	V11W V31V	4G64-2 (2.4)	x	Single	-	-	MPI	V5M21-6	5M/T	x
	V13V V33V	6G72-1 (3.0)	-	Double	x	-	MPI	V5MT1-6	5M/T	x

## GENERAL EXPORT for 1999

Brand	Vehicle Model	Engine					Fuel System	Transmission		
		Model (lit.)	Silent shaft	Camshaft	Lash adjuster	Turbo charger		Model	Type	4WD
Pajero/ Montero	V14C V24W	4D56-4 (2.5)	×	Single	–	×	Diesel S-RGS	V5MT1-6	5M/T	×
	V14V V34V	4D56-4 (2.5)	×	Single	–	–	Diesel S-RGS	V5M21-6	5M/T	×
	V23W	6G72-8 (3.0)	–	Double	×	–	MPI	V5MT1-6	5M/T	×
		6G72-1 (3.0)	–	Double	×	–	MPI	V5MT1-6 V4AW2-7	5M/T 4A/T	×
	V25W V45W	6G74-1 (3.5)	–	Four	×	–	MPI	V5M31-5 V4AW3-B	5M/T 4A/T	×
	V31W	4G64-2 (2.4)	×	Single	–	–	MPI	V5M21-6 V4AW2-A	5M/T 4A/T	×
	V36V V36W	4M40 (2.8)	×	Single	–	–	Diesel S-RGS	V5M21-6	5M/T	×
	V43W	6G72-1 (3.0)	–	Double	–	×	MPI	V5M21-6 V4AW2-7	5M/T 4A/T	×
		6G72-8 (3.0)	–	Double	×	–	MPI	V5M21-6 V4AW3-7	5M/T 4A/T	×
	V44W	4D56-4 (2.5)	×	Single	×	–	Diesel S-RGS	V4AW3-7	4A/T	×
V46W	4M40 (2.8)	×	Single	–	×	Diesel S-RGS	V5M31-5 V4AW3-B	5M/T 4A/T	×	
L200	K62T	4G63-6 (2.0)	×	Single	×	–	MPI	R5M21-5	5M/T	–
		4G63-B (2.0)	×	Single	×	–	MPI	R5M21-5	5M/T	–
	K64T	4D56-4 (2.5)	×	Single	–	×	Diesel S-RGS	R5M21-5	5M/T	–
	K65T	4G64-2 (2.4)	×	Single	×	–	MPI	R5M21-5	5M/T	–

## GENERAL EXPORT for 1999

Brand	Vehicle Model	Engine					Fuel System	Transmission		
		Model (lit.)	Silent shaft	Camshaft	Lash adjuster	Turbo charger		Model	Type	4WD
L200	K72T	4G63-6 (2.0)	×	Single	×	–	CARB	V5M21-9	5M/T	×
		4G63-B (2.0)	×	Single	×	–	CARB	V5M21-9	5M/T	×
		4G64-2 (2.4)	×	Single	×	–	MPI	V5M21-9	5M/T	×
	K74T	4D56-4 (2.5)	×	Single	–	×	Diesel S-RGS	V5M21-9 V5MT1-4	5M/T 5M/T	×
			×	Single	–	×	Diesel S-RGS	V5MT1-4	5M/T	×
Pajero io	H65W	4G18-6 (1.6)	–	Single	×	–	MPI	V5M21-A V4AW4-D	5M/T 4A/T	×
	H76W	4G93-D (1.8)	–	Double	×	–	GDI	V5M21-A V4AW4-D	5M/T 4A/T	×
L300	P03V P03W P13W	4G63-B (2.0)	×	Single	×	–	CARB	R5M21-2	5M/T	–
			×	Single	×	–	CARB	R4AW2-8	4A/T	–
	P06V P16V	4G92-0 (1.6)	–	Single	–	–	CARB	R5M21-2	5M/T	–
			×	Single	×	–	MPI	R5M21-2	5M/T	–
	P13V	4G63-B (2.0)	×	Single	×	–	CARB	R5M21-2	5M/T	–
			×	Single	×	–	CARB	R5M21-2	5M/T	–
	P15V P15W	4D56-4 (2.5)	×	Single	–	–	Diesel S-RGS	R5M21-2	5M/T	–
P23W			4G63-B (2.0)	×	Single	×	–	CARB	V5M21-2	5M/T
L400	PB3V	4G63-B (2.0)	–	Single	×	–	CARB	R5M21-7	5M/T	–

## GENERAL EXPORT for 1999

Brand	Vehicle Model	Engine					Fuel System	Transmission		
		Model (lit.)	Silent shaft	Camshaft	Lash adjuster	Turbo charger		Model	Type	4WD
Space Gear	PA3W	4G63-B (2.0)	×	Single	×	–	CARB	R4AW2-5	4A/T	–
	PA4W	4G64-2 (2.4)	×	Single	×	–	MPI	R5M21-7 R4AW2-5	5M/T 4A/T	– –
	PA5W PC5W	4D56-4 (2.5)	×	Single	–	×	Diesel S-RGS	R5M21-7	5M/T	–
	PC3W	4G63-B (2.0)	×	Single	×	–	CARB	R5M21-7	5M/T	–
	PD3W	4G63-B (2.0)	×	Single	×	–	CARB	V5M21-7	5M/T	×
	PD4W	4G64-2 (2.4)	×	Single	×	–	MPI	V5M21-7	5M/T	×
	PD5W	4D56-4 (2.5)	×	Single	–	×	Diesel S-RGS	V5M21-7	5M/T	×
Sigma	F36A	6G72-5 (3.0)	–	Double	×	–	MPI	F4A51-2	4A/T	–
3000GT	Z16A	6G72-4 (3.0)	–	Four	×	×	MPI	W5MG1-2	5M/T	×

## AUSTRALIA for 1999

Brand	Vehicle Model	Engine					Fuel System	Transmission		
		Model (lit.)	Silent shaft	Camshaft	Lash adjuster	Turbo charger		Model	Type	4WD
Colt	CJ2A	4G15-3 (1.5)	-	Single	x	-	MPI	F5M41-1 F4A41-1	5M/T 4A/T	- -
	CJ5A	4G93-3 (1.8)	-	Single	x	-	MPI	F5M41-1 F4A41-1	5M/T 4A/T	- -
Lancer	CB5W	4G93-0 (1.8)	-	Single	x	-	MPI	F5M22-2 F4A22-2	5M/T 4A/T	- -
	CK2A	4G15-3 (1.5)	-	Single	x	-	MPI	F5M41-1 F4A41-1	5M/T 4A/T	- -
	CK5A	4G93-3 (1.8)	-	Single	x	-	MPI	F5M41-1 F4A41-1	5M/T 4A/T	- -
Space Wagon	N84W	4G64-2 (2.4)	x	Single	x	-	MPI	F5M42-2 F4A42-2	5M/T 4A/T	- -
Pajero/ Montero	V25W V45W	6G74-8 (3.5)	-	Four	x	-	MPI	V5M31-5 V4AW3-B	5M/T 4A/T	x x
	V46W	4M40 (2.8)	x	Single	-	x	Diesel S-RGS	V5M31-5	5M/T	x
Pajero io	H65W	4G18-6 (1.8)	-	Single	x	-	MPI	V5M21-A	5M/T	x
	H76W	4G93-D (1.8)	-	Single	x	-	MPI	V5M21-A V4AW4-D	5M/T 4A/T	x x
L200	K65T	4G64-2 (2.4)	x	Single	x	-	MPI	R5M21-5 R4AW2-6	5M/T 4A/T	- -
	K67T	4M40 (2.8)	x	Single	-	-	Diesel S-RGS	R5M21-5	5M/T	-
	K76T	6G72-8 (3.0)	-	Double	x	-	MPI	V5MT1-4 V4AW3-6	5M/T 4A/T	x x
	K77T	4M40 (2.8)	x	Single	-	-	Diesel S-RGS	V5M21-9	5M/T	x
Challenger K96W		6G72-8 (3.0)	-	Double	x	-	MPI	V5MT1-4 V4AW3-6	5M/T 4A/T	x x



## AUSTRALIA for 1999

Brand	Vehicle Model	Engine					Fuel System	Transmission		
		Model (lit.)	Silent shaft	Camshaft	Lash adjuster	Turbo charger		Model	Type	4WD
L300	P03V	4G63-A (2.0)	×	Single	×	–	CARB	R5M21-2 R4AW2-8	5M/T 4A/T	– –
	P03W	4G63-6 (2.0)	×	Single	×	–	MPI	R5M21-2 R4AW2-8	5M/T 4A/T	– –
	P05V P15V P25V	4D56-4 (2.5)	×	Single	–	–	Diesel S-RGS	R5M21-2	5M/T	–
	P15V	4G56-2 (2.5)	×	Single	–	–	Diesel S-RGS	R5M21-2	5M/T	–
	P14V P04W	4G64-2 (2.4)	×	Single	×	–	MPI	R5M21-2 R4AW2-8	5M/T 4A/T	– –
	P04V P24V P14W	4G64-2 (2.4)	×	Single	×	–	MPI	V5M21-2	5M/T	×
L400	PA3V	4G63-6 (2.0)	×	Single	×	–	MPI	R5M21-7 R4AW2-5	5M/T 4A/T	– –
	PD4A PB4W	4G64-2 (2.4)	×	Single	×	–	MPI	R5M21-7	5M/T	–
	PA4W PB4V	4G64-2 (2.4)	×	Single	×	–	MPI	R5M21-7 R4AW2-5	5M/T 4A/T	– –
	PA3W	4G63-6 (2.0)	×	Single	×	–	MPI	R5M21-7 R4AW2-5	5M/T 4A/T	– –
Sigma	F36A	6G72-5 (3.0)	–	Double	×	–	MPI	F5M51-1 F4A51-2	5M/T 4A/T	– –
	F38A	6G74-5 (3.5)	–	Double	×	–	MPI	F5M51-1 F4A51-2	5M/T 4A/T	– –
Magna	F36W	6G72-5 (3.0)	–	Double	×	–	MPI	F5M51-1 F4A51-2	5M/T 4A/T	– –
	F38W	6G74-5 (3.5)	–	Double	×	–	MPI	F5M51-1 F4A51-2	5M/T 4A/T	– –
3000GT	Z16A	6G72-4 (3.0)	–	Four	×	×	MPI	W5MG1-2	5M/T	×

## EUROPE for 2000

Brand	Vehicle Model	Engine					Fuel System	Transmission		
		Model (lit.)	Silent shaft	Camshaft	Lash adjuster	Turbo charger		Model	Type	4WD
Lancer Station Wagon	CB4W	4G92-0 (1.6)	-	Single	-	-	MPI	F5M22-2 F4A22-2	5M/T 4A/T	- -
	CD4W	4G92-0 (1.6)	-	Single	-	-	MPI	W5M31-2	5M/T	x
Colt	CJ1A CK1A	4G13-3 (1.3)	-	Single	-	-	MPI	F5M41-1 F4A41-1	5M/T 4A/T	- -
	CJ4A	4G92-3 (1.6)	-	Single	-	-	MPI	F5M41-1 F4A41-1	5M/T 4A/T	- -
Carisma	DA1A	4G92-2 (1.6)	-	Single	-	-	MPI	JB3-242 F4A41-1	5M/T 4A/T	- -
	DA2A	4G93-G (1.8)	-	Double	x	-	GDI	F5M42-1 F4A42-1	5M/T 4A/T	- -
	DA4A	F8QT-1 (1.9)	-	Single	-	x	Diesel S-RGS	JC5-225	5M/T	-
Space Runner	N63W	4G63-6 (2.0)	x	Single	-	-	MPI	F5M42-2 R5M21-8 F4A42-1	5M/T 5M/T 4A/T	- - -
	N64W	4G64-4 (2.4)	x	Double	x	-	GDI	F5M42-2 F4A42-2	5M/T 4A/T	- -
Space Wagon	N84W	4G64-4 (2.4)	x	Double	x	-	GDI	F5M42-2 F4A42-2	5M/T 4A/T	- -
	N94W	4G64-4 (2.4)	x	Double	x	-	GDI	W5M42-1	5M/T	x
Pajero	V23C V23W	6G72-8 (3.0)	-	Double	x	-	MPI	V5MT1-6 V4AW3-B	5M/T 4A/T	x x
	V24C V24W V44W	4D56-4 (2.5)	x	Single	-	x	Diesel S-RGS	V5MT1-6	5M/T	x
	V25W V45W	6G74-8 (3.5)	-	Double	x	-	MPI	V5M31-5 V4AW3-B	5M/T 4A/T	x x
	V26W	4M40 (2.8)	x	Single	-	x	Diesel S-RGS	V5M31-5	5M/T	x

## EUROPE for 2000

Brand	Vehicle Model	Engine					Fuel System	Transmission			
		Model (lit.)	Silent shaft	Camshaft	Lash adjuster	Turbo charger		Model	Type	4WD	
Pajero	V43W	6G72-1 (3.0)	–	Double	×	–	MPI	V5MT1-6 V4AW2-7	5M/T 4A/T	×	×
		6G72-8 (3.0)	–	Double	×	–	MPI	V5MT1-6 V4AW3-7	5M/T 4A/T	×	×
	V46W	4M40 (2.8)	×	Single	–	×	Diesel S-RGS	V5M31-5 V4AW3-B	5M/T 4A/T	×	×
L200	K62T	4G63-6 (2.0)	×	Single	×	–	MPI	R5M21-5 R4AW2-6	5M/T 4A/T	–	–
	K64T	4D56-4 (2.5)	×	Single	–	–	Diesel S-RGS	R5M21-5	5M/T	–	–
	K74T	4D56-4 (2.5)	×	Single	–	×	Diesel S-RGS	V5MT1-4 V4AW2-6	5M/T 4A/T	×	×
	K75T	4G64-2 (2.4)	×	Single	×	–	MPI	V5M21-9	5M/T	×	×
Pajero Sport	K94W	4D56-4 (2.4)	×	Single	–	×	Diesel S-RGS	V5MT1-B	5M/T	×	×
	K96W	6G72-8 (3.0)	–	Double	×	–	MPI	V5MT1-B V4A51-5	5M/T 4A/T	×	×
L300	P03V P13V	4G63-6 (2.0)	×	Single	×	–	MPI	R5M21-2	5M/T	–	–
	P05V P15V	4D56-4 (2.5)	×	Single	–	–	Diesel S-RGS	R5M21-2	5M/T	–	–
	P13T	4G63-6 (2.0)	×	Single	×	–	MPI	R5M21-8	5M/T	–	–
	P15T	4D56-4 (2.5)	×	Single	–	×	Diesel S-RGS	R5M21-8	5M/T	–	–
	P45V	4D56-4 (2.5)	×	Single	–	×	Diesel S-RGS	V5M21-2	5M/T	×	×
L400	PA3V PB3V	4G63-6 (2.0)	×	Single	×	–	MPI	R5M21-7	5M/T	–	–
	PA5V PB5V	4D56-4 (2.5)	×	Single	–	×	Diesel S-RGS	R5M21-7	5M/T	–	–

## EUROPE for 2000

Brand	Vehicle Model	Engine					Fuel System	Transmission		
		Model (lit.)	Silent shaft	Camshaft	Lash adjuster	Turbo charger		Model	Type	4WD
L400	PD4V	4G64-2 (2.4)	×	Single	×	–	MPI	V5M21-7	5M/T	×
	PD5V	4D56-4 (2.5)	×	Single	–	×	Diesel S-RGS	V5M21-7	5M/T	×
Space Gear	PA3W	4G63-6 (2.0)	×	Single	×	–	MPI	R5M21-7	5M/T	–
	PA4W	4G64-2 (2.4)	×	Single	×	–	MPI	R5M21-7 R4AW2-5	5M/T 4A/T	– –
	PA5W	4D56-4 (2.5)	×	Single	–	×	Diesel S-RGS	R5M31-7	5M/T	–
	PD4W	4G64-2 (2.4)	×	Single	×	–	MPI	V5M21-7	5M/T	×
	PD5W	4D56-4 (2.5)	×	Single	–	×	Diesel S-RGS	V5M31-7	5M/T	×
3000GT	Z16A	6G72-4 (3.0)	–	Four	×	×	MPI	W6MG1-0	6M/T	×

## GENERAL EXPORT for 2000

Brand	Vehicle Model	Engine					Fuel System	Transmission		
		Model (lit.)	Silent shaft	Camshaft	Lash adjuster	Turbo charger		Model	Type	4WD
Colt	CJ1A	4G13-5 (1.3)	–	Single	–	–	CARB	F5M41-1 F4A41-1	5M/T 4A/T	– –
		4G15-5 (1.5)	–	Single	–	–	CARB	F5M41-1 F4A41-1	5M/T 4A/T	– –
	CJ4A	4G13-5 (1.3)	–	Single	–	–	CARB	F5M41-1 F4A41-1	5M/T 4A/T	– –
		4G92-3 (1.6)	–	Single	–	–	MPI	F5M41-1 F4A41-1	5M/T 4A/T	– –
		4G92-3 (1.6)	–	Single	–	–	MPI	F4A41-1	4A/T	–
Lancer Station Wagon	CB1W	4G13-2 (1.3)	–	Single	–	–	CARB	F5M21-1 F3A21-2	5M/T 3A/T	– –
	CB2W	4G15-2 (1.5)	–	Single	–	–	CARB	F5M21-1 F3A21-2	5M/T 3A/T	– –
	CB4W	4G92-0 (1.6)	–	Single	–	–	MPI	F5M22-2 F4A22-2	5M/T 4A/T	– –
Lancer	CK1A	4G13-5 (1.3)	–	Single	–	–	CARB	F5M41-1 F4A41-1	5M/T 4A/T	– –
		4G13-3 (1.3)	–	Single	–	–	MPI	F5M41-1 F4A41-1	5M/T 4A/T	– –
	CK2A	4G15-5 (1.5)	–	Single	–	–	CARB	F5M41-1 F4A41-1	5M/T 4A/T	– –
		4G15-4 (1.5)	–	Double	×	–	MPI	F5M41-1 F4A41-1	5M/T 4A/T	– –
	CK4A	4G92-3 (1.6)	–	Single	–	–	MPI	F5M41-1 F4A41-1	5M/T 4A/T	– –
		4G92-7 (1.6)	–	Double	–	–	MPI	F5M42-1 F4A42-1	5M/T 4A/T	– –
Mirage Dingo	CQ2A	4G15-8 (1.5)	–	Double	×	–	GDI	F4A41-1	4A/T	–

GENERAL EXPORT for 2000

Brand	Vehicle Model	Engine					Fuel System	Transmission		
		Model (lit.)	Silent shaft	Camshaft	Lash adjuster	Turbo charger		Model	Type	4WD
Space Wagon	N84W	4G64-2 (2.4)	×	Single	×	–	MPI	F5M42-2 F4A42-2	5M/T 4A/T	– –
		4G64-4 (2.4)	×	Double	×	–	GDI	F4A42-2	4A/T	–
Galant	EA1A	4G93-9 (1.8)	–	Single	–	–	CARB	F5M42-1 F4A42-1	5M/T 4A/T	– –
	EA2A	4G63-E (2.0)	×	Single	×	–	CARB	F5M42-1 F4A42-1	5M/T 4A/T	– –
		4G63-6 (2.0)	×	Single	×	–	MPI	F5M42-1 F4A42-1	5M/T 4A/T	– –
	EA5A	6A13-4 (2.5)	–	Double	×	–	MPI	F5M42-2 F4A42-2	5M/T 4A/T	– –
Pajero	V11V V31V	4G64-6 (2.4)	×	Single	–	–	CARB	V5M21-6	5M/T	×
	V11W V31V	4G64-2 (2.4)	×	Single	–	–	MPI	V5M21-6	5M/T	×
	V13V V33V V33W	6G72-1 (3.0)	–	Double	×	–	MPI	V5MT1-6	5M/T	×
								V4AW2-7	4A/T	×
	V14V V34V	4D56-4 (2.5)	×	Single	–	–	Diesel S-RGS	V5M21-6	5M/T	×
	V23W	6G72-8 (3.0)	–	Double	×	–	MPI	V5MT1-6	5M/T	×
		6G72-1 (3.0)	–	Double	×	–	MPI	V5MT1-6 V4AW2-7	5M/T 4A/T	×
	V24W	4D56-4 (2.5)	×	Single	–	×	Diesel S-RGS	V5MT1-6	5M/T	×
V25W V45W	6G74-1 (3.5)	–	Four	×	–	MPI	V5M31-5 V4AW3-B	5M/T 4A/T	×	
		6G74-8 (3.5)	–	Double	×	–	MPI	V5M31-5 V4AW2-7	5M/T 4A/T	×

## GENERAL EXPORT for 2000

Brand	Vehicle Model	Engine					Fuel System	Transmission		
		Model (lit.)	Silent shaft	Camshaft	Lash adjuster	Turbo charger		Model	Type	4WD
Pajero	V26W	4M40 (2.8)	×	Single	–	×	Diesel S-RGS	V5M31-5	5M/T	×
	V31W	4G64-2 (2.4)	×	Single	–	–	MPI	V5M21-6 V4AW2-A	5M/T 4A/T	×
	V36V V36W	4M40 (2.8)	×	Single	–	–	Diesel S-RGS	V5M21-6	5M/T	×
	V43W	6G72-1 (3.0)	–	Double	×	–	MPI	V5MT1-6 V4AW2-7	5M/T 4A/T	×
			–	Double	×	–	MPI	V5MT1-6 V4AW3-7 V4AW3-B	5M/T 4A/T 4A/T	×
			–	Double	×	–	MPI	V5MT1-6 V4AW3-7 V4AW3-B	5M/T 4A/T 4A/T	×
	V44W	4D56-4 (2.5)	×	Single	–	×	Diesel S-RGS	V5MT1-6 V4AW2-7	5M/T 4A/T	×
V46W	4M40 (2.8)	×	Single	–	×	Diesel S-RGS	V5M31-5 V4AW3-B	5M/T 4A/T	×	
L200	K62T	4G63-6 (2.0)	×	Single	×	–	MPI	R5M21-5	5M/T	–
		4G63-6 (2.0)	–	Single	×	–	CARB	R5M21-5	5M/T	–
		4G63-B (2.0)	–	Single	×	–	CARB	R5M21-5	5M/T	–
	K64T	4D56-3 (2.5)	×	Single	–	–	Diesel S-RGS	R5M21-5	5M/T	–
		4D56-4 (2.5)	×	Single	–	–	Diesel S-RGS	R5M21-5	5M/T	–
	K65T	4G64-2 (2.4)	×	Single	×	–	MPI	R5M21-5	5M/T	–
	K67T	4M40 (2.8)	×	Single	–	–	Diesel S-RGS	R5M21-5 R4AW2-6	5M/T 4A/T	–

## GENERAL EXPORT for 2000

Brand	Vehicle Model	Engine					Fuel System	Transmission		
		Model (lit.)	Silent shaft	Camshaft	Lash adjuster	Turbo charger		Model	Type	4WD
L200	K72T	4G63-6 (2.0)	–	Single	×	–	CARB	V5M21-9	5M/T	×
		4G63-B (2.0)	–	Single	×	–	CARB	V5M21-9	5M/T	×
	K74T	4D56-3 (2.5)	×	Single	–	×	Diesel S-RGS	V5MT1-4	5M/T	×
		4D56-3 (2.5)	×	Single	–	–	Diesel S-RGS	V5M21-9	5M/T	×
		4D56-4 (2.5)	×	Single	–	–	Diesel S-RGS	V5M21-9	5M/T	×
		4D56-4 (2.5)	×	Single	–	×	Diesel S-RGS	V5MT1-4	5M/T	×
	K75T	4G64-2 (2.4)	×	Single	×	–	MPI	V5M21-9	5M/T	×
	Challenger	K86W	6G72-8 (3.0)	–	Double	×	–	MPI	R5M31-B R4A51-5	5M/T 4A/T
K96W		6G72-8 (3.0)	–	Double	×	–	MPI	V5MT1-B V4A51-5	5M/T 4A/T	×
K97W		4M40 (2.8)	×	Single	–	×	Diesel S-RGS	V5M31-B V4A51-5	5M/T 4A/T	×
L300	P03V P13V	4G63-B (2.0)	–	Single	×	–	CARB	R5M21-2	5M/T	–
	P03W	4G63-B (2.0)	–	Single	×	–	CARB	R5M21-2 R4AW2-8	5M/T 4A/T	– –
	P06V P16V	4G92-0 (1.6)	–	Single	–	–	CARB	R5M21-2	5M/T	–
	P13W	4G63-6 (2.0)	×	Single	×	–	MPI	R5M21-2	5M/T	–
		4G63-B (2.0)	–	Single	×	–	CARB	R5M21-2	5M/T	–
	P15V P15W	4D56-2 (2.5)	×	Single	–	–	Diesel S-RGS	R5M21-2	5M/T	–



## GENERAL EXPORT for 2000

Brand	Vehicle Model	Engine					Fuel System	Transmission		
		Model (lit.)	Silent shaft	Camshaft	Lash adjuster	Turbo charger		Model	Type	4WD
L300	P15V	4D56-4 (2.5)	×	Single	–	–	Diesel S-RGS	R5M21-2	5M/T	–
	P23W	4G63-B (2.0)	–	Single	×	–	CARB	V5M21-2	5M/T	×
L400	PB3V	4G63-B (2.0)	–	Single	×	–	CARB	R5M21-7	5M/T	–
	PB5V	4D56-4 (2.5)	×	Single	–	×	Diesel S-RGS	R5M21-7	5M/T	–
Space Gear	PA3W	4G63-B (2.0)	–	Single	×	–	CARB	R4AW2-5	4A/T	–
	PA4W	4G64-2 (2.4)	×	Single	×	–	MPI	R4AW2-5	4A/T	–
	PA5W PC5W	4D56-4 (2.5)	×	Single	–	×	Diesel S-RGS	R5M21-7	5M/T	–
	PC3W	4G63-B (2.0)	–	Single	×	–	CARB	R5M21-7	5M/T	–
	PD3W	4G63-B (2.0)	–	Single	×	–	CARB	V5M21-7	5M/T	×
	PD4W	4G64-2 (2.4)	×	Single	×	–	MPI	V5M21-7	5M/T	×
	PD5W	4D56-4 (2.5)	×	Single	–	×	Diesel S-RGS	V5M21-7	5M/T	×
Sigma	F36A	6G72-5 (3.0)	–	Double	×	–	MPI	F4A51-2	4A/T	–
3000GT	Z16A	6G72-4 (3.0)	–	Four	×	×	MPI	W5MG1-2	5M/T	×

## AUSTRALIA for 2000

Brand	Vehicle Model	Engine					Fuel System	Transmission		
		Model (lit.)	Silent shaft	Camshaft	Lash adjuster	Turbo charger		Model	Type	4WD
Colt	CJ2A	4G15-3 (1.5)	-	Single	-	-	MPI	F5M41-1 F4A41-1	5M/T 4A/T	- -
	CJ5A	4G93-3 (1.8)	-	Single	-	-	MPI	F5M42-1 F4A42-1	5M/T 4A/T	- -
Lancer Station Wagon	CB5W	4G93-0 (1.8)	-	Single	-	-	MPI	F5M22-2 F4A22-2	5M/T 4A/T	- -
Lancer	CK2A	4G15-3 (1.5)	-	Single	-	-	MPI	F5M42-1 F4A42-1	5M/T 4A/T	- -
	CK5A	4G93-3 (1.8)	-	Single	-	-	MPI	F5M41-1 F4A41-1	5M/T 4A/T	- -
Space Wagon	N84W	4G64-2 (2.4)	x	Single	x	-	MPI	F5M42-2 F4A42-2	5M/T 4A/T	- -
Pajero	V45W	6G74-8 (3.5)	-	Double	x	-	MPI	V5M31-5 V4AW3-B	5M/T 4A/T	x x
	V46W	4M40 (2.8)	x	Single	-	x	Diesel S-RGS	V5M31-5	5M/T	x
L200	K65T	4G64-2 (2.4)	x	Single	x	-	MPI	R5M21-5 R4AW2-6	5M/T 4A/T	- -
	K66T	6G72-8 (3.0)	-	Double	x	-	MPI	R5M31-4	5M/T	-
	K67T	4M40 (2.8)	x	Single	-	-	Diesel S-RGS	R5M21-5	5M/T	-
	K76T	6G72-8 (3.0)	-	Double	x	-	MPI	V5MT1-4 V4AW3-6	5M/T 4A/T	x x
	K77T	4M40 (2.8)	x	Single	-	-	Diesel S-RGS	V5M21-9	5M/T	x
Challenger K96W		6G72-8 (3.0)	-	Double	x	-	MPI	V5MT1-4 V4AW3-6	5M/T 4A/T	x x

## AUSTRALIA for 2000

Brand	Vehicle Model	Engine					Fuel System	Transmission		
		Model (lit.)	Silent shaft	Camshaft	Lash adjuster	Turbo charger		Model	Type	4WD
L300	P03V	4G63-A (2.0)	×	Single	×	–	CARB	R5M21-2 R4AW2-8	5M/T 4A/T	– –
	P03W	4G63-6 (2.0)	×	Single	×	–	MPI	R5M21-2 R4AW2-8	5M/T 4A/T	– –
	P05V P15V P15W	4D56-4 (2.5)	×	Single	–	×	Diesel S-RGS	R5M21-2	5M/T	–
	P15V	4G56-2 (2.5)	×	Single	–	–	Diesel S-RGS	R5M21-2	5M/T	–
	P14V	4G64-2 (2.4)	×	Single	×	–	MPI	R5M21-2 R4AW2-8	5M/T 4A/T	– –
	P04V P14W	4G64-2 (2.4)	×	Single	×	–	MPI	R5M21-2	5M/T	–
L400	PB4V	4G64-2 (2.4)	×	Single	×	–	MPI	R5M21-7 R4AW2-5	5M/T 4A/T	– –
	PA3W	4G63-6 (2.0)	×	Single	×	–	MPI	R5M21-7 R4AW2-5	5M/T 4A/T	– –
	PA4W	4G64-2 (2.4)	×	Single	×	–	MPI	R4AW2-5	4A/T	–

## EUROPE for 2001

Brand	Vehicle Model	Engine					Fuel System	Transmission		
		Model (lit.)	Silent shaft	Camshaft	Lash adjuster	Turbo charger		Model	Type	4WD
Colt	CJ1A	4G13-6 (1.3)	–	Single	×	–	MPI	F5M41-1	5M/T	–
	CJ4A	4G92-3 (1.6)	–	Single	×	–	MPI	F5M41-1 F4A41-1	5M/T 4A/T	– –
	CK1A	4G13-3 (1.3)	–	Single	–	–	MPI	F5M41-1 F4A41-1	5M/T 4A/T	– –
Space Star	DG1A	4G13-6 (1.3)	–	Single	×	–	MPI	JB3-241	5M/T	–
	DG4A	F9QT-0 (1.9)	–	Single	–	–	Diesel S-RGS	F5MV1-1	5M/T	–
	DG5A	4G93-G (1.8)	–	Double	×	–	GDI	F5M42-1	5M/T	–
Carisma	DA1A	4G92-2 (1.6)	–	Single	×	–	MPI	JB3-242 F4A41-1	5M/T 4A/T	– –
	DA2A	4G93-G (1.8)	–	Double	×	–	GDI	F5M42-1 F4A42-1	5M/T 4A/T	– –
	DA5A	F9QT-0 (1.9)	–	Single	–	×	Diesel S-RGS	F5MV1-L	5M/T	–
		F9QT-1 (1.9)	–	Single	–	×	Diesel S-RGS	F5MV1-L	5M/T	–
Space Runner	N63W	4G63-F (2.0)	×	Single	×	–	MPI	F5M42-2 F4A42-1	5M/T 4A/T	– –
	N64W	4G64-4 (2.4)	×	Double	×	–	GDI	F5M42-2 F4A42-2	5M/T 4A/T	– –
Space Wagon	N83W	4G63-F (2.0)	×	Single	×	–	MPI	F5M42-2	5M/T	–
	N84W	4G64-4 (2.4)	×	Double	×	–	GDI	F5M42-2 F4A42-2	5M/T 4A/T	– –
	N94W	4G64-4 (2.4)	×	Double	×	–	GDI	W5M42-1	5M/T	×

## EUROPE for 2001

Brand	Vehicle Model	Engine					Fuel System	Transmission		
		Model (lit.)	Silent shaft	Camshaft	Lash adjuster	Turbo charger		Model	Type	4WD
Galant	EA2A EA2W	4G63-6 (2.0)	×	Single	×	–	MPI	F5M42-2 F4A42-1	5M/T 4A/T	– –
	EA3A EA3W	4G64-4 (2.4)	×	Double	×	–	GDI	F5M42-2 F4A42-2	5M/T 4A/T	– –
	EA5A EA5W	6A13-4 (2.5)	–	Double	×	–	MPI	F5M42-2 F4A42-2	5M/T 4A/T	– –
Pajero/ Montero	V23C	6G72-8 (3.0)	–	Double	×	–	MPI	V5MT1-6 V4AW3-B	5M/T 4A/T	×
	V24C V24W V44W	4D56-4 (2.5)	×	Single	–	×	Diesel S-RGS	V5MT1-6	5M/T	×
	V64W V74W	4D56-4 (2.5)	×	Single	–	×	Diesel S-RGS	V5MT1-8 V5M31-6	5M/T 5M/T	×
	V65W V75W	6G74-B (3.5)	–	Four	×	–	GDI	V5M31-6 V5A51-7	5M/T 5A/T	×
	V68W V78W	4M41 (3.2)	×	Double	–	×	Diesel S-RGS	V5M31-6 V5A51-7	5M/T 5A/T	×
L200	K62T	4G63-6 (2.0)	×	Single	×	–	MPI	R5M21-5 R4AW2-6	5M/T 4A/T	– –
	K64T	4D56-4 (2.5)	×	Single	–	–	Diesel S-RGS	R5M21-5	5M/T	–
	K74T	4D56-4 (2.5)	×	Single	–	×	Diesel S-RGS	V5MT1-4 V4AW2-6	5M/T 4A/T	×
	K75T	4G64-2 (2.4)	×	Single	×	–	MPI	V5M21-9	5M/T	×
Pajero Sport	K94W	4D56-4 (2.5)	×	Single	–	×	Diesel S-RGS	V5MT1-B	5M/T	×
	K96W	6G72-8 (3.0)	–	Double	×	–	MPI	V5MT1-B V4A51-5	5M/T 4A/T	×
Pajero io	H67W H77W	4G94-H (2.0)	–	Double	×	–	GDI	V5M21-A V4AW4-D	5M/T 4A/T	×

## GENERAL EXPORT for 2001

Brand	Vehicle Model	Engine					Fuel System	Transmission		
		Model (lit.)	Silent shaft	Camshaft	Lash adjuster	Turbo charger		Model	Type	4WD
Colt	CJ1A	4G13-5 (1.3)	–	Single	–	–	CARB	F5M41-1	5M/T	–
	CJ2A	4G15-5 (1.5)	–	Single	–	–	CARB	F5M41-1 F4A41-1	5M/T 4A/T	– –
	CJ4A	4G92-3 (1.6)	–	Single	–	–	MPI	F5M41-1 F4A41-1	5M/T 4A/T	– –
Lancer	CS1A	4G13-6 (1.3)	–	Single	–	–	MPI	F5M41-1 F4A41-1	5M/T 4A/T	– –
		4G13-7 (1.3)	–	Single	–	–	CARB	F5M41-1 F4A41-1	5M/T 4A/T	– –
	CS2A	4G15-8 (1.5)	–	Double	×	–	GDI	F1C1A-1	CVT	–
	CS3A	4G18-6 (1.8)	–	Single	–	–	MPI	F5M41-1 F1C1A-1	5M/T CVT	– –
		4G18-7 (1.8)	–	Single	–	–	CARB	F5M41-1 F4A41-1	5M/T 4A/T	– –
	CS5A	4G93-G (1.8)	–	Double	×	–	GDI	F1C1A-2	CVT	–
Lancer Station Wagon	CB1W	4G13-2 (1.3)	–	Single	–	–	CARB	F5M21-1 F3A21-2	5M/T 3A/T	– –
	CB2W	4G15-2 (1.5)	–	Single	–	–	CARB	F5M21-1 F3A21-2	5M/T 3A/T	– –
	CB4W	4G92-0 (1.6)	–	Single	–	–	MPI	F5M22-2 F4A22-2	5M/T 4A/T	– –
Mirage Dingo	CQ2A	4G15-8 (1.5)	–	Double	×	–	GDI	F4A41-1	4A/T	–
Space Wagon	N84W	4G64-2 (2.4)	×	Single	×	–	MPI	F5M42-2 F4A42-2	5M/T 4A/T	– –
		4G64-4 (2.4)	×	Double	×	–	GDI	F4A42-2	4A/T	–

## GENERAL EXPORT for 2001

Brand	Vehicle Model	Engine					Fuel System	Transmission		
		Model (lit.)	Silent shaft	Camshaft	Lash adjuster	Turbo charger		Model	Type	4WD
Galant	EA1A	4G93-9 (1.8)	-	Single	-	-	CARB	F5M42-1 F4A42-1	5M/T 4A/T	- -
	EA2A	4G63-E (2.0)	x	Single	x	-	CARB	F5M42-1 F4A42-1	5M/T 4A/T	- -
	EA2A EA2W	4G63-6 (2.0)	x	Single	x	-	MPI	F5M42-1 F4A42-1	5M/T 4A/T	- -
	EA3A	4G64-6 (2.4)	x	Double	x	-	GDI	F5A42-2	5A/T	-
	EA5A	6A13-4 (2.5)	-	Double	x	-	MPI	F5M42-2 F4A42-2	5M/T 4A/T	- -
	EA6A	4D68-2 (2.0)	x	Single	-	x	Diesel S-RGS	F5M42-2	5M/T	-
	EA7A	4G94-G (2.0)	-	Double	x	-	GDI	F4A42-1	4A/T	-
Pajero/ Montero	V11V V31V	4G64-6 (2.4)	x	Single	-	-	CARB	V5M21-6	5M/T	x
	V13V V33V	6G72-1 (3.0)	-	Double	x	-	MPI	V5MT1-6 V4AW2-7	5M/T 4A/T	x x
	V14C	4D56-4 (2.5)	x	Single	-	-	Diesel S-RGS	V5M21-6	5M/T	x
	V14V V34V	4D56-4 (2.5)	x	Single	-	-	Diesel S-RGS	V5M21-6	5M/T	x
	V36V	4M40 (2.8)	x	Single	-	-	Diesel S-RGS	V5M21-6	5M/T	x
	V63W V73W	6G72-8 (3.0)	-	Double	x	-	MPI	V5MT1-8 V5M31-6 V4A51-7	5M/T 5M/T 4A/T	x x x
	V65W V75W	6G74-8 (3.5)	-	Double	x	-	MPI	V5M31-6 V5A51-7	5M/T 5A/T	x x
		6G74-B (3.5)	-	Four	x	-	GDI	V4A51-7 V5A51-7	4A/T 5A/T	x x

## GENERAL EXPORT for 2001

Brand	Vehicle Model	Engine					Fuel System	Transmission		
		Model (lit.)	Silent shaft	Camshaft	Lash adjuster	Turbo charger		Model	Type	4WD
Pajero/ Montero	V66W V76W	4M40 (2.8)	×	Single	–	×	Diesel S-RGS	V5M31-6 V4A51-7	5M/T 4A/T	×
	V68W V78W	4M41 (3.2)	×	Double	–	×	Diesel S-RGS	V5M31-6 V5A51-7	5M/T 5A/T	×
L200	K62T	4G63-6 (2.0)	×	Single	×	–	MPI	R5M21-5	5M/T	–
			–	Single	×	–	CARB	R5M21-5	5M/T	–
		4G63-B (2.0)	–	Single	×	–	CARB	R5M21-5	5M/T	–
	K64T	4D56-3 (2.5)	×	Single	–	–	Diesel S-RGS	R5M21-5	5M/T	–
		4D56-4 (2.5)	×	Single	–	–	Diesel S-RGS	R5M21-5	5M/T	–
	K65T	4G64-2 (2.4)	×	Single	×	–	MPI	R5M21-5	5M/T	–
	K67T	4M40 (2.8)	×	Single	–	–	Diesel S-RGS	R5M21-5 R4AW2-6	5M/T 4A/T	–
	K72T	4G63-6 (2.0)	–	Single	×	–	CARB	V5M21-9	5M/T	×
		4G63-B (2.0)	–	Single	×	–	CARB	V5M21-9	5M/T	×
	K74T	4D56-3 (2.5)	×	Single	–	×	Diesel S-RGS	V5MT1-4	5M/T	×
			×	Single	–	–	Diesel S-RGS	V5M21-9	5M/T	×
		4D56-4 (2.5)	×	Single	–	–	Diesel S-RGS	V5M21-9	5M/T	×
		×	Single	–	×	Diesel S-RGS	V5MT1-4	5M/T	×	
	K75T	4G64-2 (2.4)	×	Single	×	–	MPI	V5M21-9	5M/T	×
	K77T	4M40 (2.8)	×	Single	–	–	Diesel S-RGS	V5M21-9	5M/T	×



## GENERAL EXPORT for 2001

Brand	Vehicle Model	Engine					Fuel System	Transmission		
		Model (lit.)	Silent shaft	Camshaft	Lash adjuster	Turbo charger		Model	Type	4WD
Pajero io	H65W	4G18-9 (1.8)	–	Single	–	–	MPI	V5M21-A V4AW4-D	5M/T 4A/T	× ×
	H66W H76W	4G93-H (1.8)	–	Double	×	–	GDI	V5M21-A V4AW4-D	5M/T 4A/T	× ×
	H76W	4G93-D (1.8)	–	Single	–	–	MPI	V5M21-A V4AW4-D	5M/T 4A/T	× ×
Challenger	K86W	6G72-8 (3.0)	–	Double	×	–	MPI	R5M31-B R4A51-5	5M/T 4A/T	– –
	K96W	6G72-8 (3.0)	–	Double	×	–	MPI	V5MT1-B V4A51-5	5M/T 4A/T	× ×
	K97W	4M40 (2.8)	×	Single	–	×	Diesel S-RGS	V5M31-B V4A51-5	5M/T 4A/T	× ×
Sigma	F36A	6G72-5 (3.0)	–	Double	×	–	MPI	F4A51-2	4A/T	–

## AUSTRALIA for 2001

Brand	Vehicle Model	Engine					Fuel System	Transmission		
		Model (lit.)	Silent shaft	Camshaft	Lash adjuster	Turbo charger		Model	Type	4WD
Colt	CJ2A	4G15-3 (1.5)	–	Single	–	–	MPI	F5M41-1 F4A41-1	5M/T 4A/T	– –
	CJ5A	4G93-3 (1.8)	–	Single	–	–	MPI	F5M42-1 F4A42-1	5M/T 4A/T	– –
Lancer Station Wagon	CB5W	4G93-0 (1.8)	–	Single	–	–	MPI	F5M22-2 F4A22-2	5M/T 4A/T	– –
Lancer	CK2A	4G15-3 (1.5)	–	Single	–	–	MPI	F5M41-1 F4A41-1	5M/T 4A/T	– –
	CK5A	4G93-3 (1.8)	–	Single	–	–	MPI	F5M42-1 F4A42-1	5M/T 4A/T	– –
Space Wagon	N84W	4G64-2 (2.4)	×	Single	×	–	MPI	F5M42-2 F4A42-2	5M/T 4A/T	– –
Pajero/ Montero	V75W	6G74-8 (3.5)	–	Double	×	–	MPI	V5M31-6 V5A51-7	5M/T 5A/T	×
	V76W	4M40 (2.8)	×	Single	–	×	Diesel S-RGS	V5M31-6	5M/T	×
Pajero io	H65W	4G18-9 (1.8)	–	Single	–	–	MPI	V5M21-A	5M/T	×
	H76W	4G93-D (1.8)	–	Single	–	–	MPI	V5M21-A V4AW4-D	5M/T 4A/T	×
L200	K65T	4G64-2 (2.4)	×	Single	×	–	MPI	R5M21-5	5M/T	–
	K66T	6G72-8 (3.0)	–	Double	×	–	MPI	R5M31-4 R4A51-4	5M/T 4A/T	– –
	K76T	6G72-8 (3.0)	–	Double	×	–	MPI	V5MT1-4 V4A51-4	5M/T 4A/T	×
	K77T	4M40 (2.8)	×	Single	–	–	Diesel S-RGS	V5M21-9	5M/T	×
Challenger K96W		6G72-8 (3.0)	–	Double	×	–	MPI	V5MT1-4 V4A51-4	5M/T 4A/T	×

## AUSTRALIA for 2001

Brand	Vehicle Model	Engine					Fuel System	Transmission			
		Model (lit.)	Silent shaft	Camshaft	Lash adjuster	Turbo charger		Model	Type	4WD	
Sigma	F36A	6G72-5 (3.0)	–	Double	×	–	MPI	F5M51-1 F4A51-2	5M/T 4A/T	– –	
	F38A	6G74-5 (3.5)	–	Double	×	–		MPI	F5M51-1 F4A51-2 F5A51-2	5M/T 4A/T 5A/T	– – –
Magna	F36W	6G72-5 (3.0)	–	Double	×	–	MPI		F5M51-1 F4A51-2	5M/T 4A/T	– –
	F38W	6G74-5 (3.5)	–	Double	×	–			MPI	F5M51-1 F4A51-2	5M/T 4A/T

## EUROPE for 2002

Brand	Vehicle Model	Engine					Fuel System	Transmission		
		Model (lit.)	Silent shaft	Camshaft	Lash adjuster	Turbo charger		Model	Type	4WD
Colt	CJ1A	4G13-6 (1.3)	–	Single	×	–	MPI	F5M41-1	5M/T	–
	CJ4A	4G92-3 (1.6)	–	Single	×	–	MPI	F5M41-1 F4A41-1	5M/T 4A/T	– –
Space Star	DG1A	4G13-6 (1.3)	–	Single	×	–	MPI	JB3-241	5M/T	–
	DG3A	4G18-6 (1.6)	–	Single	×	–	MPI	JB3-244 F4A41-1	5M/T 4A/T	– –
	DG4A	F9QT-0 (1.9)	–	Single	–	–	Diesel S-RGS	F5MV1-L	5M/T	–
	DG5A	4G93-G (1.8)	–	Double	×	–	GDI	F5M42-1 F4A42-1	5M/T 4A/T	– –
Carisma	DA1A	4G92-2 (1.6)	–	Single	×	–	MPI	JB3-243 F4A41-1	5M/T 4A/T	– –
	DA2A	4G93-G (1.8)	–	Double	×	–	GDI	F5M42-1 F4A42-1	5M/T 4A/T	– –
	DA3A	4G93-G (1.8)	–	Double	×	–	GDI	F5M42-1 F4A42-1	5M/T 4A/T	– –
	DA5A	F9QT-0 (1.9)	–	Single	–	×	Diesel S-RGS	F5MV1-L	5M/T	–
		F9QT-1 (1.9)	–	Single	–	×	Diesel S-RGS	F5MV1-L	5M/T	–
	DA6A	4G13-6 (1.3)	–	Single	×	–	MPI	JB3-24X	5M/T	–
Space Wagon	N83W	4G63-F (2.0)	×	Single	×	–	MPI	F5M42-2	5M/T	–
	N84W	4G64-4 (2.4)	×	Double	×	–	GDI	F5M42-2 F4A42-2	5M/T 4A/T	– –
	N94W	4G64-4 (2.4)	×	Double	×	–	GDI	W5M42-1	5M/T	×

## EUROPE for 2002

Brand	Vehicle Model	Engine					Fuel System	Transmission		
		Model (lit.)	Silent shaft	Camshaft	Lash adjuster	Turbo charger		Model	Type	4WD
Pajero/ Montero	V24W V44W	4D56-5 (2.5)	×	Single	–	×	Diesel S-RGS	V5MT1-6	5M/T	×
	V64W V74W	4D56-5 (2.5)	×	Single	–	×	Diesel S-RGS	V5MT1-8 V5M31-6	5M/T 5M/T	×
	V65W V75W	6G74-B (3.5)	–	Four	×	–	GDI	V5M31-6 V5A51-7	5M/T 5A/T	×
	V68W V78W	4M41 (3.2)	×	Double	–	×	Diesel S-RGS	V5M31-6 V5A51-7	5M/T 5A/T	×
L200	K64T	4D56-4 (2.5)	×	Single	–	–	Diesel S-RGS	R5M21-5	5M/T	–
		4D56-5 (2.5)	×	Single	–	×	Diesel S-RGS	R5M21-5 R4AW2-6	5M/T 4A/T	–
	K74T	4D56-4 (2.5)	×	Single	–	×	Diesel S-RGS	V5MT1-4 V4AW2-6	5M/T 4A/T	×
		4D56-5 (2.5)	×	Single	–	×	Diesel S-RGS	V5MT1-4 V4AW2-6	5M/T 4A/T	×
	K75T	4G64-2 (2.4)	×	Single	×	–	MPI	V5M21-9	5M/T	×
Pajero Sport	K94W	4D56-4 (2.5)	×	Single	–	×	Diesel S-RGS	V5MT1-B	5M/T	×
		4D56-5 (2.5)	×	Single	–	×	Diesel S-RGS	V5MT1-D	5M/T	×
	K96W	6G72-8 (3.0)	–	Double	×	–	MPI	V5MT1-D V4A51-5	5M/T 4A/T	×
Pajero io	H66W H76W	4G93-D (1.8)	–	Single	×	–	MPI	V5M21-A V4AW4-D	5M/T 4A/T	×
	H67W H77W	4G94-H (2.0)	–	Double	×	–	GDI	V5M21-A V4AW4-D	5M/T 4A/T	×

## EUROPE for 2002

Brand	Vehicle Model	Engine					Fuel System	Transmission		
		Model (lit.)	Silent shaft	Camshaft	Lash adjuster	Turbo charger		Model	Type	4WD
L300	P03V P13V	4G63-6 (2.0)	×	Single	×	–	MPI	R5M21-2	5M/T	–
	P05V P15V	4D56-4 (2.5)	×	Single	–	–	Diesel S-RGS	R5M21-2	5M/T	–
	P45V	4D56-4 (2.5)	×	Single	–	×	Diesel S-RGS	V5M21-2	5M/T	×
L400	PA3V PB3V	4G63-6 (2.0)	×	Single	×	–	MPI	R5M21-7	5M/T	–
	PA5V PB5V	4D56-4 (2.5)	×	Single	–	×	Diesel S-RGS	R5M21-7	5M/T	–
	PD4V	4G64-2 (2.4)	×	Single	×	–	MPI	V5M21-7	5M/T	×
	PD5V	4D56-4 (2.5)	×	Single	–	×	Diesel S-RGS	V5M21-7	5M/T	×
Space Gear	PA3W	4G63-6 (2.0)	×	Single	×	–	MPI	R5M21-7	5M/T	–
	PA4W	4G64-2 (2.4)	×	Single	×	–	MPI	R5M21-7 R4AW2-5	5M/T 4A/T	– –
	PA5W	4D56-4 (2.5)	×	Single	–	×	Diesel S-RGS	R5M31-7	5M/T	–
	PD4W	4G64-2 (2.4)	×	Single	×	–	MPI	V5M21-7	5M/T	×
	PD5W	4D56-4 (2.5)	×	Single	–	×	Diesel S-RGS	V5M31-7	5M/T	×

## GENERAL EXPORT for 2002

Brand	Vehicle Model	Engine					Fuel System	Transmission		
		Model (lit.)	Silent shaft	Camshaft	Lash adjuster	Turbo charger		Model	Type	4WD
Colt	CJ1A	4G13-5 (1.3)	-	Single	-	-	CARB	F5M41-1	5M/T	-
	CJ2A	4G15-5 (1.5)	-	Single	-	-	CARB	F5M41-1 F4A41-1	5M/T 4A/T	- -
	CJ4A	4G92-3 (1.6)	-	Single	-	-	MPI	F5M41-1 F4A41-1	5M/T 4A/T	- -
Lancer	CS1A	4G13-6 (1.3)	-	Single	-	-	MPI	F5M41-1 F4A41-1	5M/T 4A/T	- -
	CS3A	4G18-6 (1.8)	-	Single	-	-	MPI	F5M41-1 F1C1A-1	5M/T CVT	- -
Lancer Station Wagon	CB1W	4G13-2 (1.3)	-	Single	-	-	CARB	F5M21-1 F3A21-2	5M/T 3A/T	- -
	CB2W	4G15-2 (1.5)	-	Single	-	-	CARB	F5M21-1 F3A21-2	5M/T 3A/T	- -
	CB4W	4G92-0 (1.6)	-	Single	-	-	MPI	F5M22-2 F4A22-2	5M/T 4A/T	- -
Space Wagon	N84W	4G64-2 (2.4)	×	Single	×	-	MPI	F5M42-2 F4A42-2	5M/T 4A/T	- -
		4G64-4 (2.4)	×	Double	×	-	GDI	F4A42-2	4A/T	-
Galant	EA1A	4G93-9 (1.8)	-	Single	-	-	CARB	F5M42-1 F4A42-1	5M/T 4A/T	- -
	EA2A	4G63-E (2.0)	×	Single	×	-	CARB	F5M42-1 F4A42-1	5M/T 4A/T	- -
	EA2A EA2W	4G63-6 (2.0)	×	Single	×	-	MPI	F5M42-1 F4A42-1	5M/T 4A/T	- -
	EA3A	4G64-6 (2.4)	×	Double	×	-	GDI	F5A42-2	5A/T	-
	EA5A	6A13-4 (2.5)	-	Double	×	-	MPI	F5M42-2 F4A42-2	5M/T 4A/T	- -
	EA6A	4D68-2 (2.0)	×	Single	-	×	Diesel S-RGS	F5M42-2	5M/T	-

## GENERAL EXPORT for 2002

Brand	Vehicle Model	Engine					Fuel System	Transmission		
		Model (lit.)	Silent shaft	Camshaft	Lash adjuster	Turbo charger		Model	Type	4WD
Galant	EA7A	4G94-G (2.0)	-	Double	×	-	GDI	F4A42-1	4A/T	-
Pajero/ Montero	V11V V31V	4G64-6 (2.4)	×	Single	-	-	CARB	V5M21-6	5M/T	×
	V13V V33V	6G72-1 (3.0)	-	Double	×	-	MPI	V5MT1-6 V4AW2-7	5M/T 4A/T	×
	V14V V34V	4D56-4 (2.5)	×	Single	-	-	Diesel S-RGS	V5M21-6	5M/T	×
	V36V	4M40 (2.8)	×	Single	-	-	Diesel S-RGS	V5M21-6	5M/T	×
	V63W V73W	6G72-8 (3.0)	-	Double	×	-	MPI	V5MT1-8 V5M31-6 V4A51-7	5M/T 5M/T 4A/T	×
	V65W V75W	6G74-8 (3.5)	-	Double	×	-	MPI	V5M31-6 V5A51-7	5M/T 5A/T	×
		6G74-B (3.5)	-	Four	×	-	GDI	V5A51-7	5A/T	×
	V66W V76W	4M40 (2.8)	×	Single	-	×	Diesel S-RGS	V5M31-6 V4A51-7	5M/T 4A/T	×
V68W V78W	4M41 (3.2)	×	Double	-	×	Diesel S-RGS	V5M31-6 V5A51-7	5M/T 5A/T	×	
L200	K62T	4G63-6 (2.0)	×	Single	×	-	MPI	R5M21-5	5M/T	-
		-	-	Single	×	-	CARB	R5M21-5	5M/T	-
		4G63-B (2.0)	-	Single	×	-	CARB	R5M21-5	5M/T	-
	K64T	4D56-3 (2.5)	×	Single	-	-	Diesel S-RGS	R5M21-5	5M/T	-
		4D56-4 (2.5)	×	Single	-	-	Diesel S-RGS	R5M21-5	5M/T	-
	K65T	4G64-2 (2.4)	×	Single	×	-	MPI	R5M21-5	5M/T	-



## GENERAL EXPORT for 2002

Brand	Vehicle Model	Engine					Fuel System	Transmission		
		Model (lit.)	Silent shaft	Camshaft	Lash adjuster	Turbo charger		Model	Type	4WD
L200	K67T	4M40 (2.8)	×	Single	-	-	Diesel S-RGS	R5M21-5 R4AW2-6	5M/T 4A/T	- -
			-	Single	×	-	CARB	V5M21-9	5M/T	×
	K72T	4G63-B (2.0)	-	Single	×	-	CARB	V5M21-9	5M/T	×
			×	Single	-	-	Diesel S-RGS	V5M21-9	5M/T	×
	K74T	4D56-3 (2.5)	×	Single	-	×	Diesel S-RGS	V5MT1-4	5M/T	×
			×	Single	-	-	Diesel S-RGS	V5M21-9	5M/T	×
		4D56-4 (2.5)	×	Single	-	-	Diesel S-RGS	V5M21-9	5M/T	×
			×	Single	-	×	Diesel S-RGS	V5MT1-4	5M/T	×
	K75T	4G64-2 (2.4)	×	Single	×	-	MPI	V5M21-9	5M/T	×
	K77T	4M40 (2.8)	×	Single	-	-	Diesel S-RGS	V5M21-9	5M/T	×
Pajero io	H76W	4G93-H (1.8)	-	Double	×	×	GDI	V4AW5-D	4A/T	×
Challenger	K86W	6G72-8 (3.0)	-	Double	×	-	MPI	R5M31-B R4A51-5	5M/T 4A/T	- -
			-	Double	×	-	MPI	V5MT1-D V4A51-5	5M/T 4A/T	×
	K96W	4M40 (2.8)	×	Single	-	×	Diesel S-RGS	V5M31-B V4A51-5	5M/T 4A/T	×
L300	P03V P13V	4G63-B (2.0)	-	Single	×	-	CARB	R5M21-2	5M/T	-
	P03W P13W	4G63-B (2.0)	-	Single	×	-	CARB	R5M21-2 R4AW2-8	5M/T 4A/T	- -
	P06V P16V	4G92-0 (1.6)	-	Single	-	-	CARB	R5M21-2	5M/T	-

## GENERAL EXPORT for 2002

Brand	Vehicle Model	Engine					Fuel System	Transmission		
		Model (lit.)	Silent shaft	Camshaft	Lash adjuster	Turbo charger		Model	Type	4WD
L300	P13V P13W	4G63-6 (2.0)	×	Single	×	–	MPI	R5M21-2	5M/T	–
	P15V P15W	4D56-2 (2.5)	×	Single	–	–	Diesel S-RGS	R5M21-2	5M/T	–
	P15V	4D56-4 (2.5)	×	Single	–	–	Diesel S-RGS	R5M21-2	5M/T	–
	P23W	4G63-B (2.0)	–	Single	×	–	CARB	V5M21-2	5M/T	×
L400	PB3V	4G63-B (2.0)	–	Single	×	–	CARB	R5M21-7	5M/T	–
	PB5V	4D56-4 (2.5)	×	Single	–	×	Diesel S-RGS	R5M21-7	5M/T	–
Space Gear	PA3W	4G63-B (2.0)	–	Single	×	–	CARB	R4AW2-5	4A/T	–
	PA4W	4G64-2 (2.4)	×	Single	×	–	MPI	R5M21-7 R4AW2-5	5M/T 4A/T	– –
	PA5W PC5W	4D56-4 (2.5)	×	Single	–	×	Diesel S-RGS	R5M21-7	5M/T	–
	PC3W	4G63-B (2.0)	–	Single	×	–	CARB	R5M21-7	5M/T	–
	PD3W	4G63-B (2.0)	–	Single	×	–	CARB	V5M21-7	5M/T	×
	PD4W	4G64-2 (2.4)	×	Single	×	–	MPI	V5M21-7	5M/T	×
	PD5W	4D56-4 (2.5)	×	Single	–	×	Diesel S-RGS	V5M21-7	5M/T	×
Sigma	F38A	6G74-5 (3.5)	–	Double	×	–	MPI	F5M51-1	5M/T	–
								F4A51-2	4A/T	–

## AUSTRALIA for 2002

Brand	Vehicle Model	Engine					Fuel System	Transmission		
		Model (lit.)	Silent shaft	Camshaft	Lash adjuster	Turbo charger		Model	Type	4WD
Colt	CJ2A	4G15-3 (1.5)	-	Single	-	-	MPI	F5M41-1 F4A41-1	5M/T 4A/T	- -
	CJ5A	4G93-3 (1.8)	-	Single	-	-	MPI	F5M42-1 F4A42-1	5M/T 4A/T	- -
Lancer Station Wagon	CB5W	4G93-0 (1.8)	-	Single	-	-	MPI	F5M22-2 F4A22-2	5M/T 4A/T	- -
Lancer	CK5A	4G93-3 (1.8)	-	Single	-	-	MPI	F5M42-1 F4A42-1	5M/T 4A/T	- -
	CS6A	4G94-3 (2.0)	-	Single	-	-	MPI	F5M42-1 F4A42-1	5M/T 4A/T	- -
Space Wagon	N84W	4G64-2 (2.4)	×	Single	×	-	MPI	F5M42-2 F4A42-2	5M/T 4A/T	- -
Pajero/ Montero	V75W	6G74-8 (3.5)	-	Double	×	-	MPI	V5M31-6 V5A51-7	5M/T 5A/T	×
	V76W	4M40 (2.8)	×	Single	-	×	Diesel S-RGS	V5M31-6	5M/T	×
L200	K65T	4G64-2 (2.4)	×	Single	×	-	MPI	R5M21-5	5M/T	-
	K66T	6G72-8 (3.0)	-	Double	×	-	MPI	R5M31-4 R4A51-4	5M/T 4A/T	- -
	K76T	6G72-8 (3.0)	-	Double	×	-	MPI	V5MT1-C V4A51-4	5M/T 4A/T	×
	K77T	4M40 (2.8)	×	Single	-	-	Diesel S-RGS	V5M21-9	5M/T	×
Challenger K96W		6G72-8 (3.0)	-	Double	×	-	MPI	V5MT1-D V4A51-5	5M/T 4A/T	×

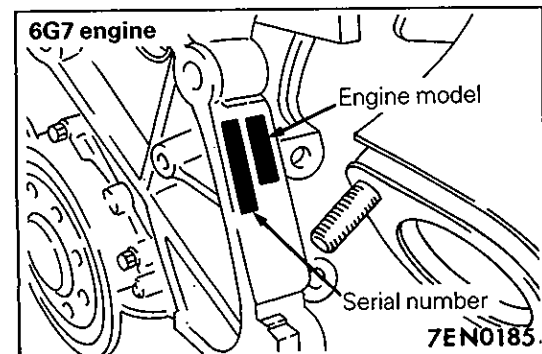
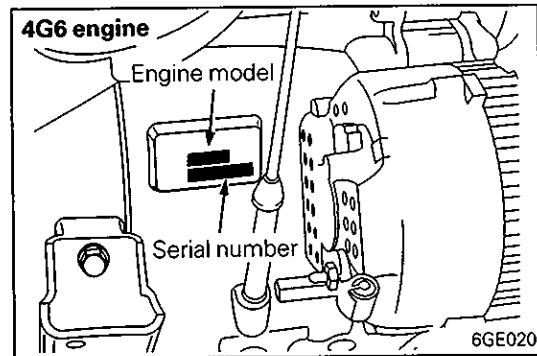
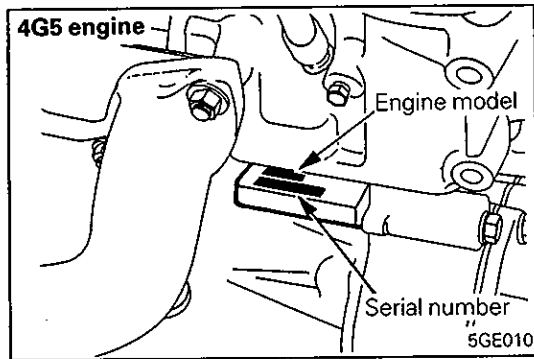
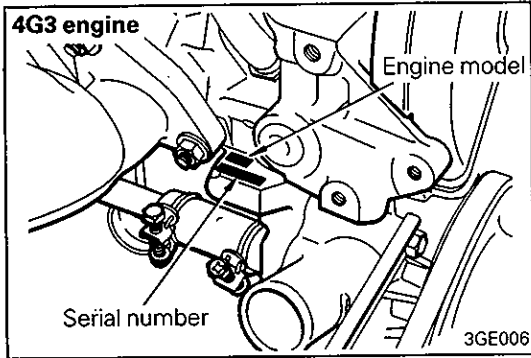
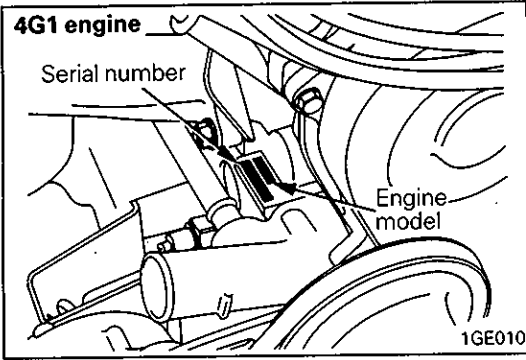
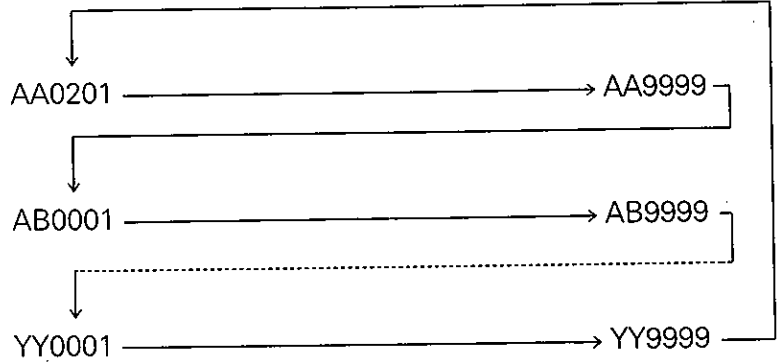
## AUSTRALIA for 2002

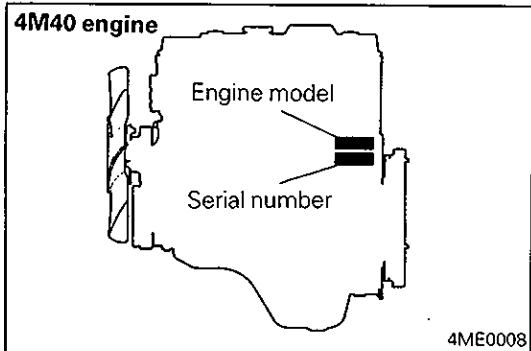
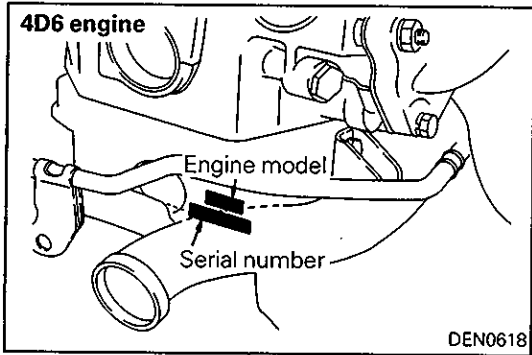
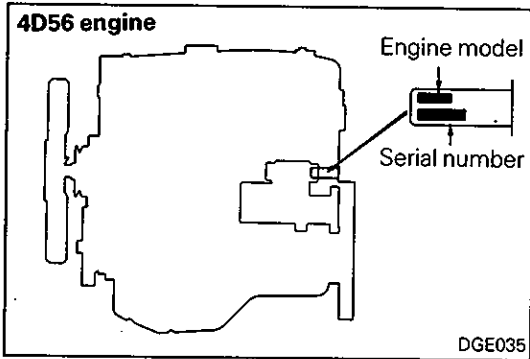
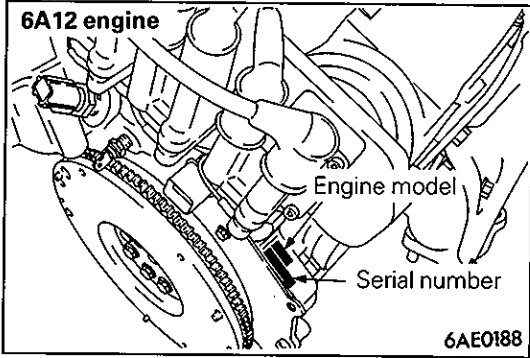
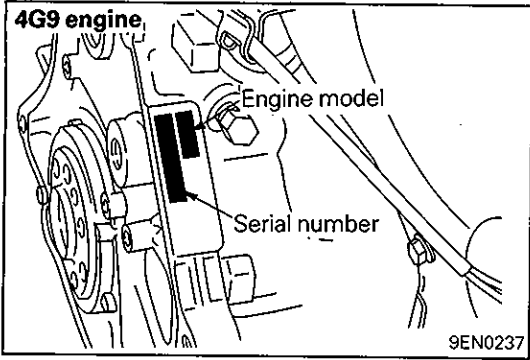
Brand	Vehicle Model	Engine					Fuel System	Transmission		
		Model (lit.)	Silent shaft	Camshaft	Lash adjuster	Turbo charger		Model	Type	4WD
L300	P03V	4G63-A (2.0)	×	Single	×	–	CARB	R5M21-2 R4AW2-8	5M/T 4A/T	– –
	P03W	4G63-6 (2.0)	×	Single	×	–	MPI	R5M21-2 R4AW2-8	5M/T 4A/T	– –
	P05V P15V P15W	4D56-4 (2.5)	×	Single	–	×	Diesel S-RGS	R5M21-2	5M/T	–
	P15V	4G56-2 (2.5)	×	Single	–	–	Diesel S-RGS	R5M21-2	5M/T	–
	P14V	4G64-2 (2.4)	×	Single	×	–	MPI	R5M21-2 R4AW2-8	5M/T 4A/T	– –
	P04V P14W	4G64-2 (2.4)	×	Single	×	–	MPI	R5M21-2	5M/T	–
L400	PB4V	4G64-2 (2.4)	×	Single	×	–	MPI	R5M21-7 R4AW2-5	5M/T 4A/T	– –
	PA3W	4G63-6 (2.0)	×	Single	×	–	MPI	R5M21-7 R4AW2-5	5M/T 4A/T	– –
	PA4W	4G64-2 (2.4)	×	Single	×	–	MPI	R4AW2-5	4A/T	–

## 2. ENGINE MODEL AND SERIAL NUMBER

### ENGINE MODEL AND SERIAL NUMBER LOCATION

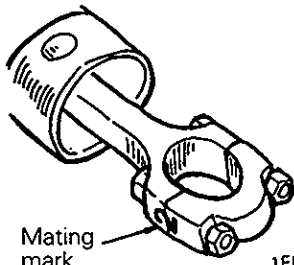
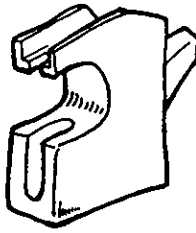
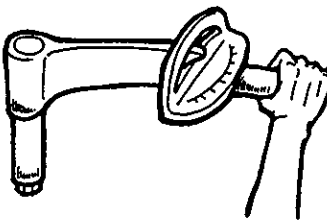

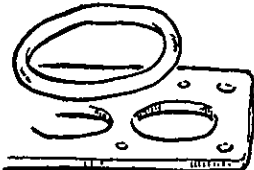
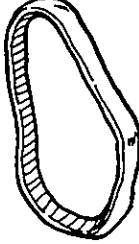
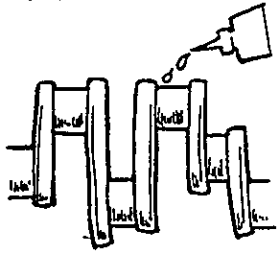
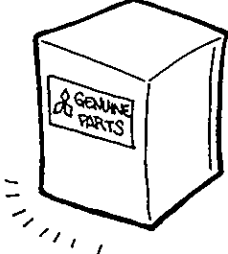
- (1) Stamped engine model and serial number are located as illustrated.
- (2) All engine serial numbers contain six digits as follows:





### 3. PRECAUTIONS BEFORE SERVICE

When the engine or transmission is disassembled and reassembled, pay attention to the following.

<p>Removal and Disassembly</p>  <p>Mating mark 1EN0018</p>	<p>For prevention of wrong installation or reassembly and for ease of operation, put mating marks to the parts where no function is adversely affected.</p>	<p>Special Tool</p>  <p>1EN0019</p>	<p>Be sure to use Special Tools when their use is specified for the operation. Use of substitute tools will result in malfunction of the part or damage it.</p>
<p>Tightening Torque</p>  <p>1EN0020</p>	<p>Tighten the part properly to specified torque.</p>	<p>Sealant</p>  <p>1EN0021</p>	<p>Use specified brand of sealant. Use of sealant other than specified sealant may cause water or oil leaks.</p>
<p>Replacement Part</p>  <p>1EN0022</p>	<p>When oil seal, O-ring, packing and gasket have been removed, be sure to replace them with new parts. However, rocker cover gasket may be reused if it is not damaged.</p>	<p>Rubber Parts</p>  <p>1EN0023</p>	<p>Do not stain timing belt and V-belt with oil or water. Therefore, do not cleaning the pulley and sprocket with detergent.</p>
<p>Oil and Grease</p>  <p>1EN0024</p>	<p>Before reassembly, apply specified oil to the rotating and sliding parts.</p>	<p>Genuine Part</p>  <p>1EN0025</p>	<p>When the part is replace, be sure to use Mitsubishi genuine part. For selection of appropriate part, refer to the Parts Catalog.</p>

---

## NOTES



## 4. TIGHTENING TORQUE

General tightening torque is as shown in the following table.  
The specific part tightening torque is shown at the beginning of each group.

### STANDARD PARTS TIGHTENING TORQUE

#### TIGHTENING TORQUE OF BOLT OR NUT WITH SPRING WASHER

Classification		Head mark 4			Head mark 7			Head mark 10		
Thread Size mm (dia. x pitch)	Torque	Nm	Kgm	ft.lbs.	Nm	Kgm	ft.lbs.	Nm	Kgm	ft.lbs.
		5 x 0.8	–	–	–	5.0	0.5	4	–	–
6 x 1.0	–	–	–	9.0	0.9	7	13	1.3	9	
8 x 1.25	11	1.1	8	18	1.8	13	30	3.0	22	
10 x 1.25	20	2.0	14	34	3.4	25	60	6.0	43	
12 x 1.25	36	3.6	26	62	6.2	45	108	10.8	78	
14 x 1.5	55	5.5	40	92	9.2	67	175	17.5	127	

#### TIGHTENING TORQUE OF FLANGE BOLT OR NUT

Classification		Head mark 4			Head mark 7		
Thread Size mm (dia. x pitch)	Torque	Nm	Kgm	ft.lbs.	Nm	Kgm	ft.lbs.
		5 x 0.8	–	–	–	6.0	0.6
6 x 1.0	–	–	–	11	1.1	8	
8 x 1.25	14	1.4	10	24	2.4	17	
10 x 1.25	30	3.0	22	50	5.0	36	
12 x 1.25	55	5.5	40	90	9.0	65	
14 x 1.5	–	–	–	–	–	–	

#### TIGHTENING TORQUE OF TAPER THREAD

Classification		Aluminium alloy			Cast iron or steel		
Thread Size	Torque	Nm	Kgm	ft.lbs.	Nm	Kgm	ft.lbs.
		1/16	5.0 – 8.0	0.5 – 0.8	4 – 6	8.0 – 12	0.8 – 1.2
1/8	8.0 – 12	0.8 – 1.2	6 – 9	15 – 22	1.5 – 2.2	11 – 16	
1/4	20 – 30	2.0 – 3.0	14 – 22	35 – 45	3.5 – 4.5	25 – 33	
3/8	40 – 55	4.0 – 5.5	29 – 40	55 – 75	5.5 – 7.5	40 – 54	
1/2	70 – 100	7.0 – 10.0	51 – 72	120 – 160	12.0 – 16.0	87 – 116	
3/4	140 – 190	14.0 – 19.0	101 – 137	230 – 280	23.0 – 28.0	166 – 203	

---

## NOTES