
FUEL SUPPLY

FUEL SUPPLY

CONTENTS

13509000111

GENERAL INFORMATION	2	FUEL FILTER <Diesel-powered Vehicles>	
FUEL TANK	3	6



GENERAL INFORMATION

13500010083

The fuel tank is equipped with a valve assembly (roll-over valve). It prevents fuel from leaking out of the fuel tank if the vehicle rolls over.

FUEL TANK

REMOVAL AND INSTALLATION

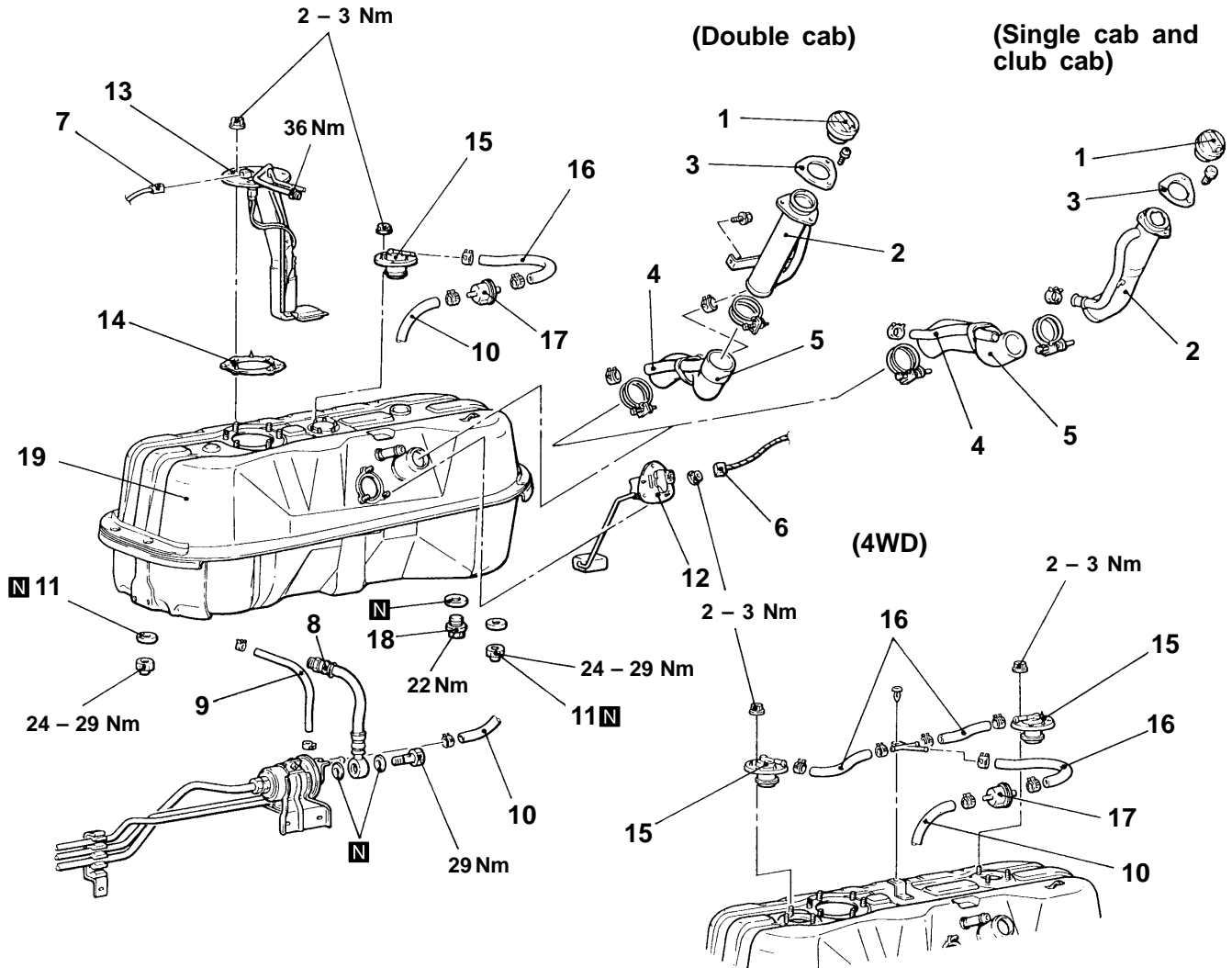
Pre-removal Operation

- Fuel Draining
- Rear Body Side Gate Stay (LH) Removal

Post-installation Operation

- Fuel Refilling
- Fuel Line Air Bleeding
(Refer to GROUP 13E – On-vehicle Service.)
- Fuel Leakage Inspection
- Rear Body Side Gate Stay (LH) Installation

<Petrol-powered vehicles>

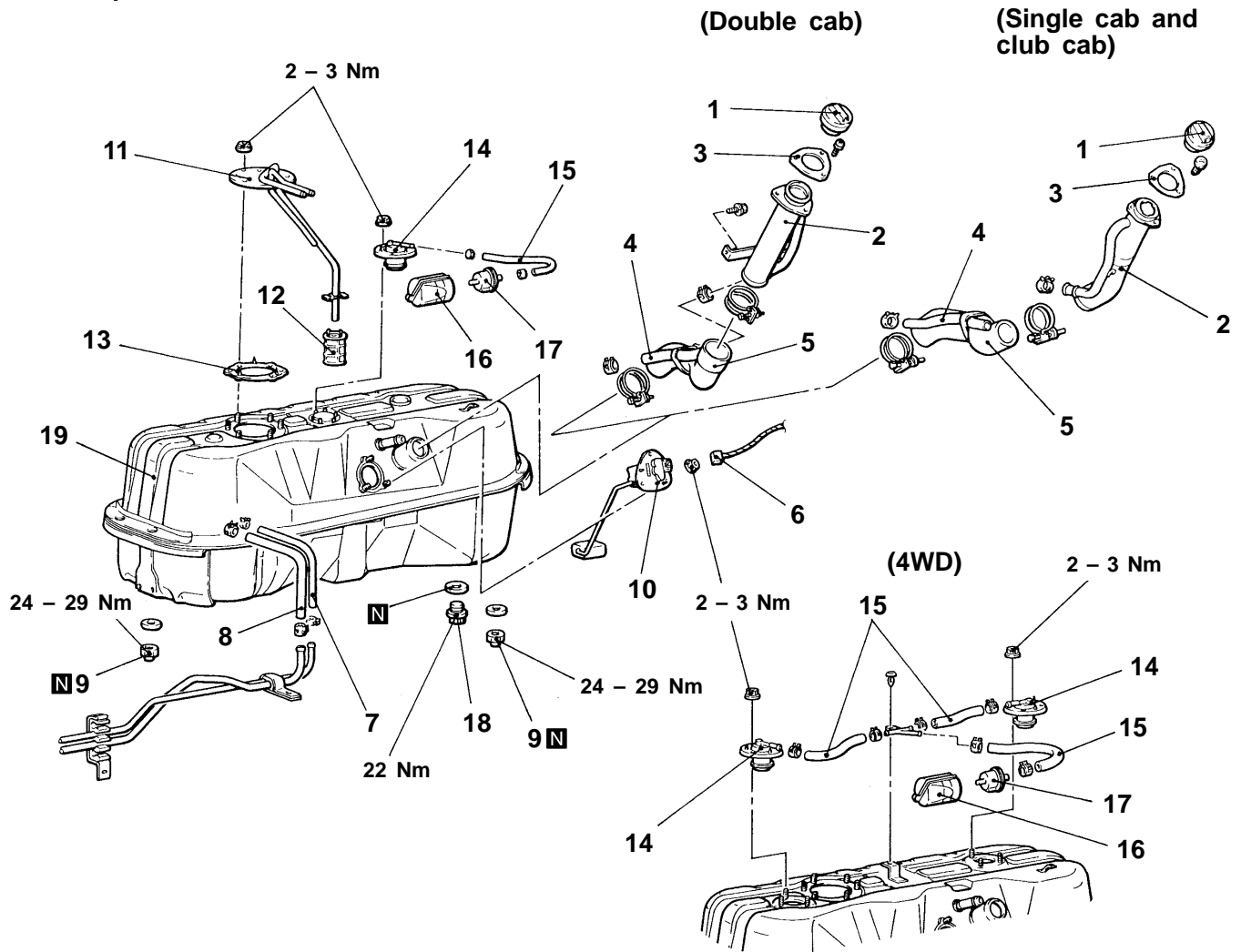


A03V0022

Removal steps

- | | |
|---|---|
| <p>►B◄</p> <ol style="list-style-type: none"> 1. Fuel filler cap 2. Filler neck 3. Packing 4. Leveling hose 5. Filler hose 6. Fuel gauge unit connector 7. Fuel pump connector 8. Fuel high pressure hose 9. Return hose 10. Vapor hose | <p>►A◄</p> <ol style="list-style-type: none"> 11. Fuel tank nuts 12. Fuel gauge unit 13. Fuel pump assembly 14. Packing 15. Valve assembly 16. Vapor hose 17. 2-way valve 18. Drain plug 19. Fuel tank |
|---|---|

<Diesel-powered vehicles>



A03V0021

Removal steps

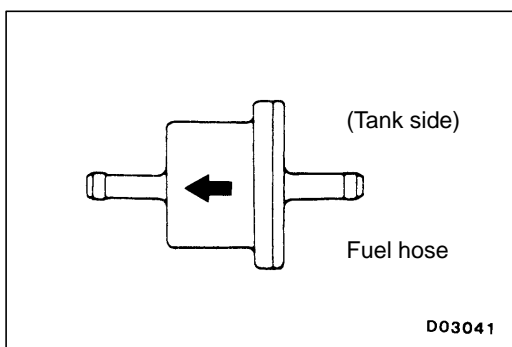
- 1. Fuel filler cap
- 2. Filler neck
- 3. Packing
- 4. Leveling hose
- ▶B◀ 5. Filler hose
- 6. Fuel gauge unit connector
- 7. Return hose
- 8. Main hose
- 9. Fuel tank nuts
- 10. Fuel gauge unit

- 11. Pipe assembly
- 12. Fuel filter
- 13. Packing
- 14. Valve assembly
- 15. Vapor hose
- ▶A◀ 16. Breather case
- 17. 2-way valve
- 18. Drain plug
- 19. Fuel tank

INSTALLATION SERVICE POINTS

▶A◀ **2-WAY VALVE INSTALLATION**

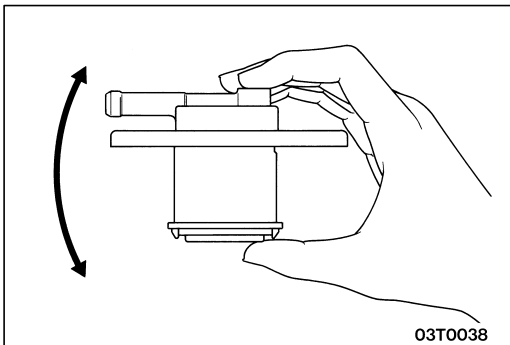
Install the 2-way valve, being careful not to mistake the direction.



D03041

►B◄ FILLER HOSE INSTALLATION

Align the mating marks and install.



INSPECTION

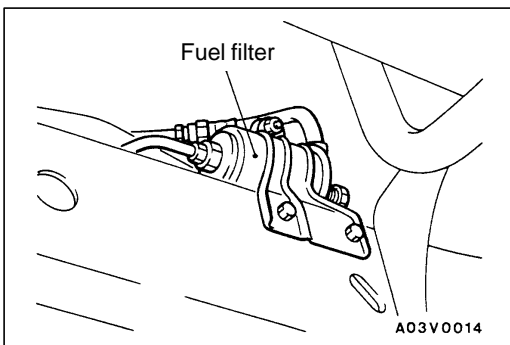
1350030074

FUEL CUT-OFF VALVE CHECK

If the sound of the float valve moving (knocking sound) can be heard when the valve assembly is gently shaken up and down, then the valve is okay.

FUEL GAUGE UNIT CHECK

Refer to GROUP 54 – Combination Meter.



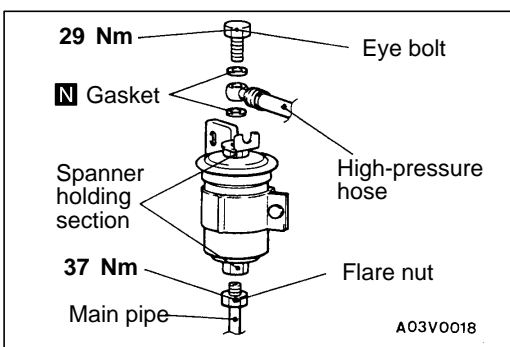
FUEL FILTER REPLACEMENT

13500130086

1. Bleed the residual pressure from inside the fuel line. (Refer to GROUP 13A – On-vehicle Service.)
2. Hold the fuel filter with a spanner and remove the eye bolt. Then remove the high-pressure hose.

Caution

As there will be some pressure remaining in the fuel pipe line, cover it with a rag to prevent fuel from spraying out.



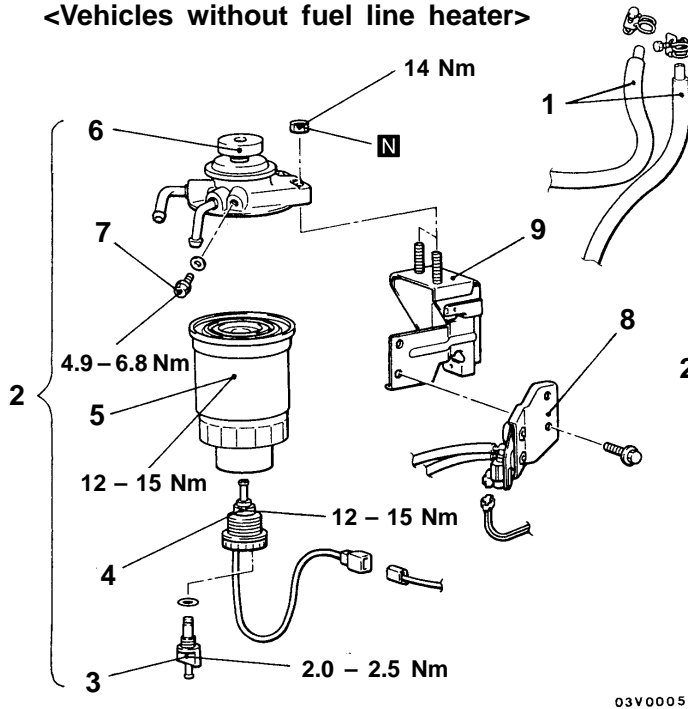
3. Hold the fuel filter with a spanner and loosen the flare nut. Then disconnect the main pipe connection.
4. Remove the fuel filter.
5. When installing the fuel filter, use a new gasket, and tighten the flare nut of the high-pressure hose and the main pipe to the specified torque.
6. After installation, check that there are no fuel leaks.
 - (1) Apply battery voltage to the fuel pump drive terminal to operate the fuel pump. (Refer to GROUP 13A – On-vehicle Service.)
 - (2) Check for leaks when fuel pressure is applied.

FUEL FILTER <DIESEL-POWERED VEHICLES>

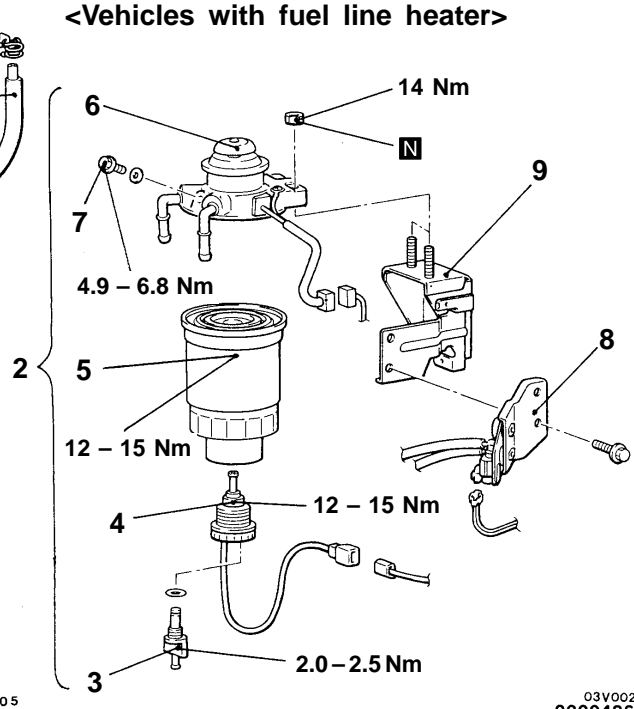
13500270016

REMOVAL AND INSTALLATION

<Vehicles without fuel line heater>



<Vehicles with fuel line heater>



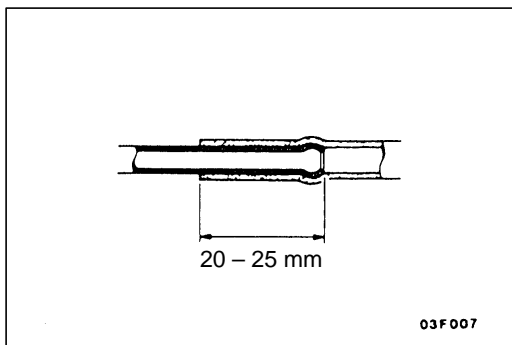
03V0005

03V0020
00004964

Removal steps

- Intercooler assembly <4WD> (Refer to GROUP 15.)
- ▶A◀
1. Main hose connection
 2. Fuel filter
 3. Drain plug
 4. Water level sensor

5. Fuel filter cartridge
6. Fuel filter pump
7. Breather screw
8. Solenoid valve assembly (for A/C)
9. Fuel filter bracket

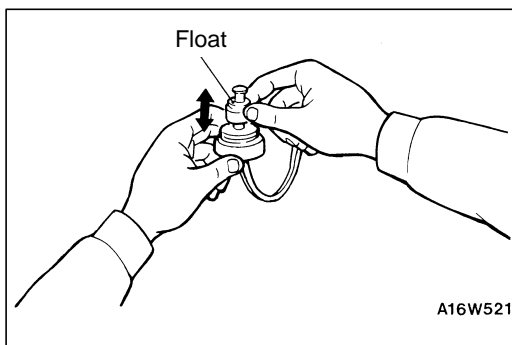


03F007

INSTALLATION SERVICE POINT

▶A◀ **FUEL MAIN HOSE INSTALLATION**

If the pipe has a stepped part, connect securely up to the stepped part. If the pipe has no stepped part, insert so that the inserted portion is 20 – 25 mm long.



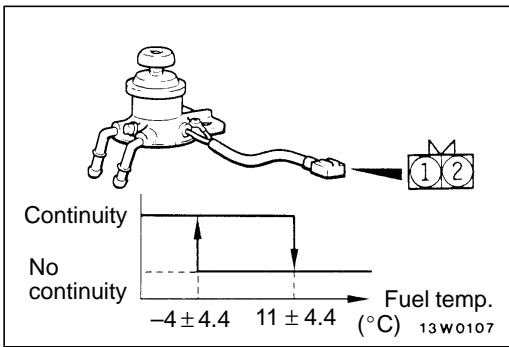
A16W521

INSPECTION

13500290012

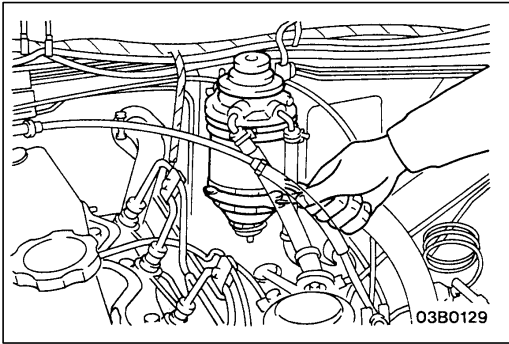
WATER LEVEL SENSOR CHECK

Connect the circuit tester to the water level sensor connector. The water level sensor is operating correctly if there is continuity when the float is raised, and no continuity when it is lowered.



FUEL LINE HEATER CONTINUITY CHECK

There should be continuity between the terminals when the fuel filter pump is cooled -4°C or below and continuity should disappear when the pump is gradually heated. If this is true then the heater is working properly.



FUEL FILTER CARTRIDGE REPLACEMENT

13500130093

1. Remove the intercooler assembly. <4WD> (Refer to GROUP 15.)
2. Remove the fuel tank cap to release the pressure inside the fuel tank.
3. Disconnect the water level sensor connector.
4. Use an oil filter wrench to remove the fuel filler cartridge from the fuel filter pump body.

Caution

Cover with a rag to prevent fuel from spraying out.

5. Install a new filter, and bleed the air from fuel line. (Refer to GROUP 13E – On-vehicle Service.)
6. Start the engine, and check that there are no fuel leakage.

NOTES